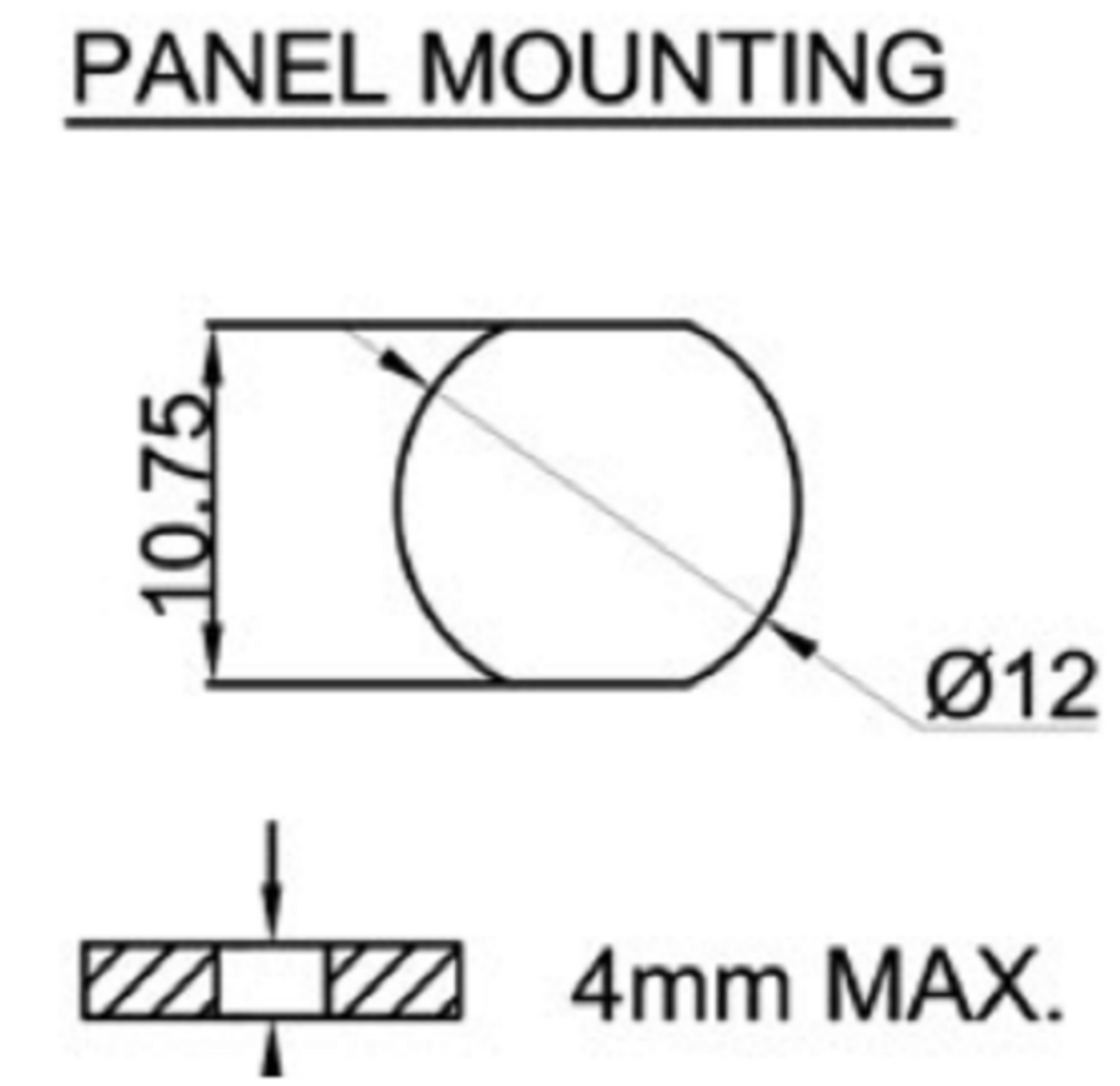
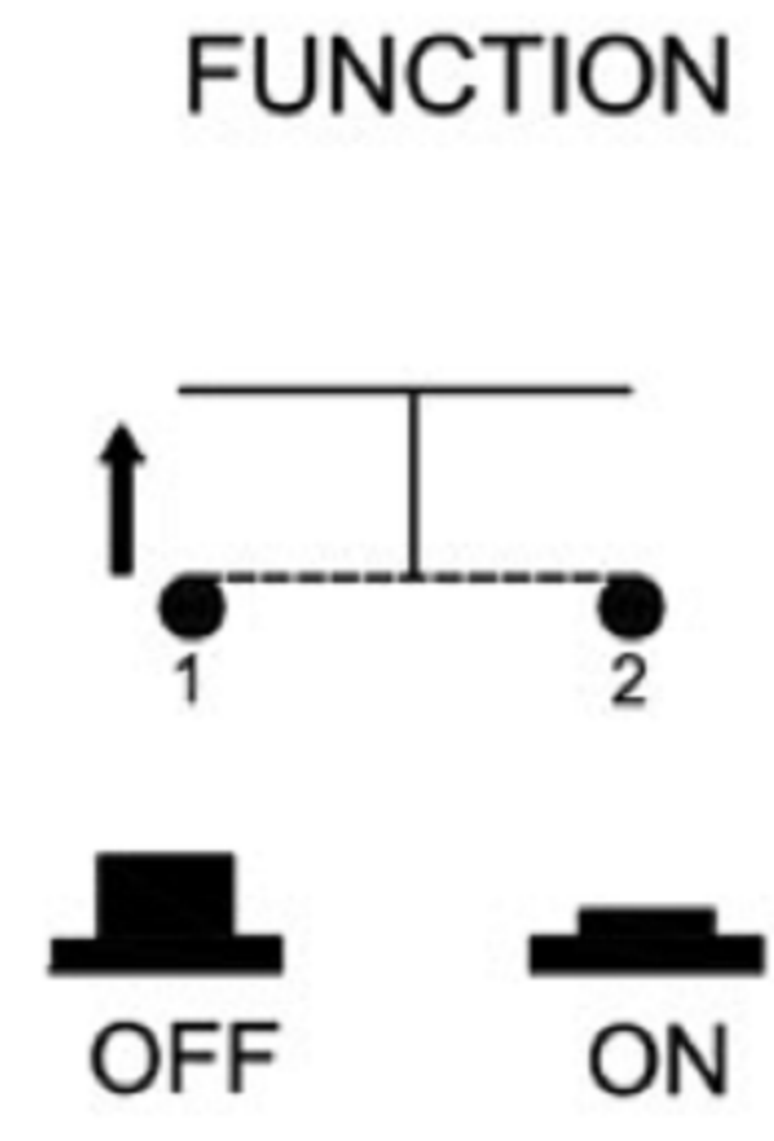
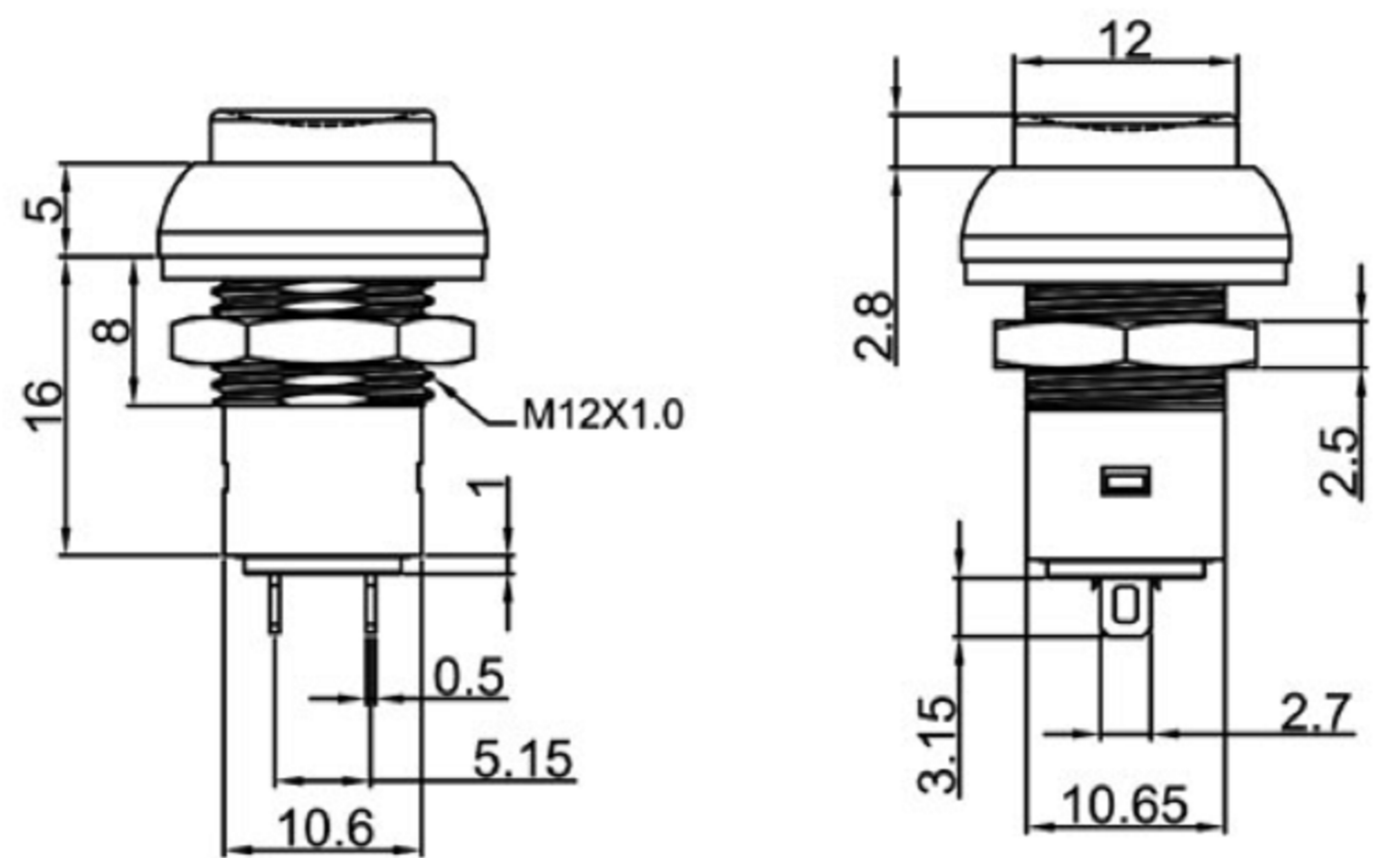


<b>SPECIFICATIONS</b>	
Circuit	:SPST
Current rating	:0.1A / 2A
Voltage rating	:24VDC/125VAC
Dielectric withstanding voltage	:1000VAC for 1 minute
Contact resistance	:50mΩ Max
Insulation resistance	:100MΩMin
Travel	:2.5mm±0.5mm
Operating Force	:400±50gf
Mechanical Life	:Over 100,000 cycles
Electrical Life	:Over 10,000 cycles
Manual Welding	:350°C for 3 seconds
Function	:OFF- ON
Operating temperature	:-20°C ~ +70°C
Level of protection	:IP67

**MATERIAL:**  
 Base: PA66,UL rated:94V-2 Min;  
 Cap: ABS;  
 Terminal: Copper,Golden plated ;  
 Nut: Brass, NI Plated .



 **广东科斯达电子科技有限公司**  
**GUANG DONG KE SI DA ELECTRONIC TECHNOLOGY CO., LTD.**

TOLERANCE UNLESS OTHERWISE STATED:	Up to 5 ±0.2 Above 5 ~ 15 ±0.3 Above 15 ~ 30 ±0.4 Above 30 ~ 50 ±0.5 Angle ±0.3	3RD. ANGEL'S	UNITS	MM
------------------------------------	---	--------------	-------	----

DRAWN BY:	DATE	MAT'L	TITLE	SWITCH
Jack Lu	12/27/22			
CHECKED BY:	DATE	FINISH	MODLE	TACT SWITCH WITH LED
Jacky Chen	12/27/22			
APPROVED BY:	DATE	SCALE	DWG NO.	SIZE
Tony Kao	12/27/22	1 : 1		A4
		SHEET NO.	PART NO.	VER
		1 of 1		R