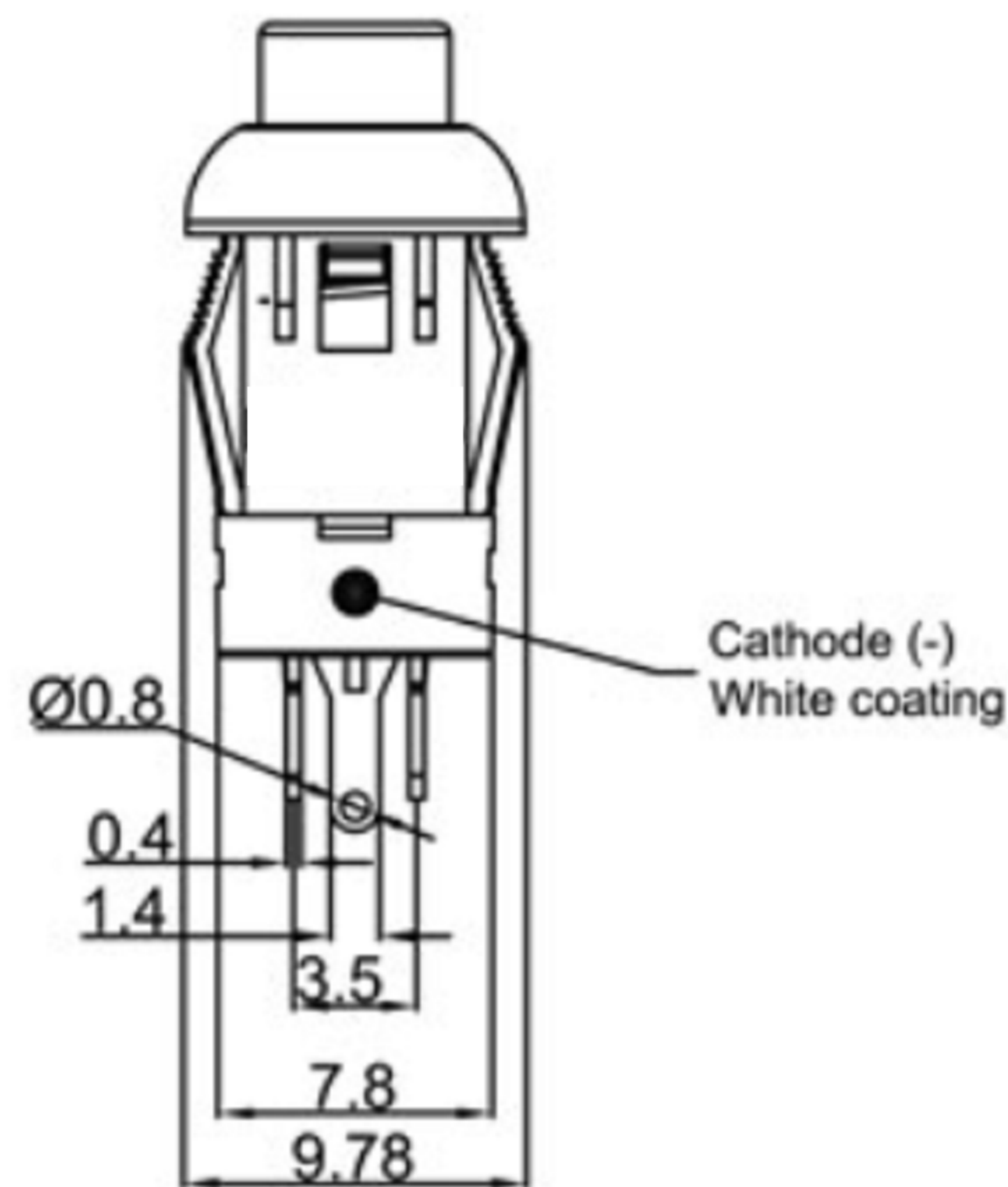
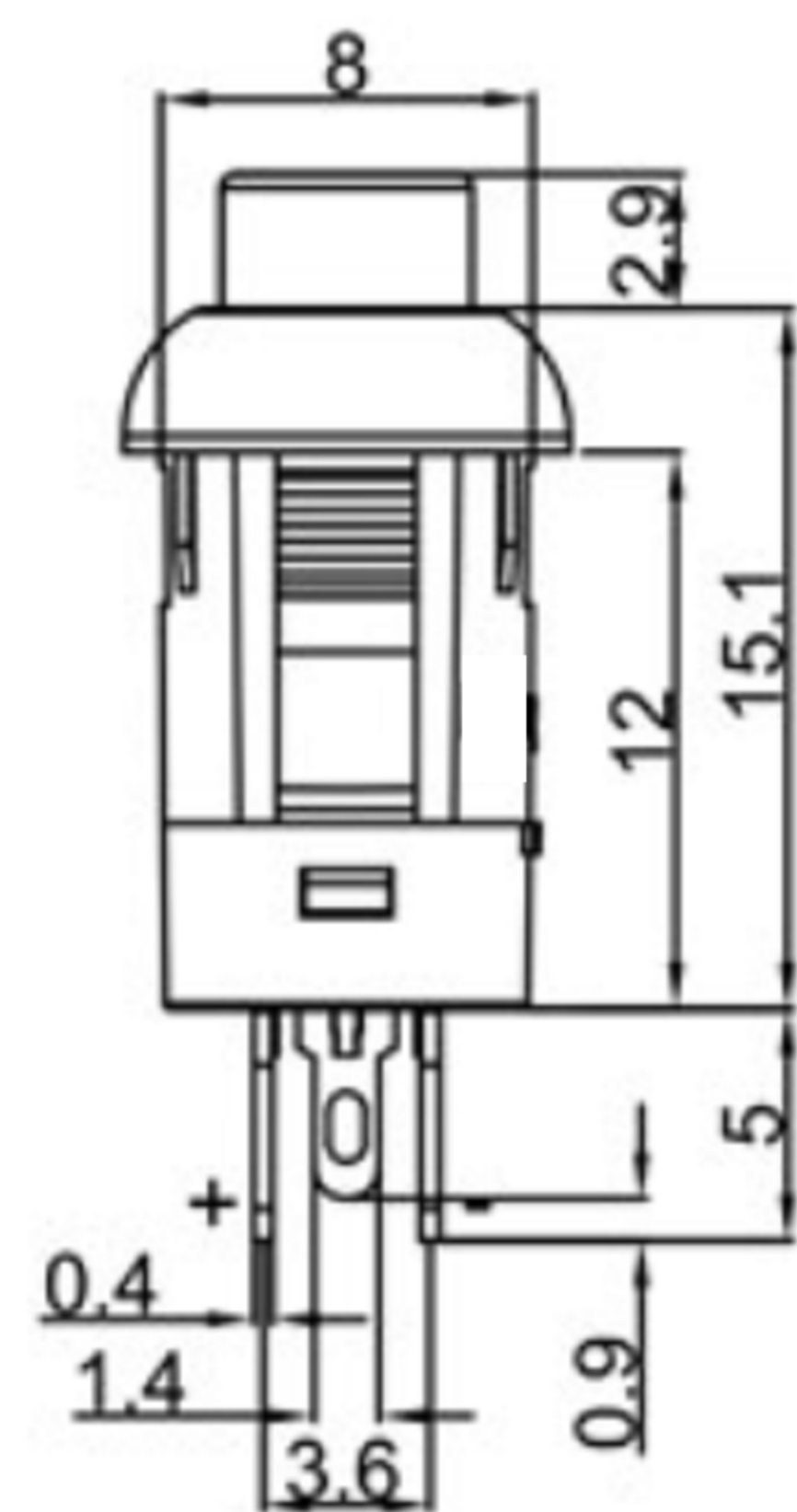
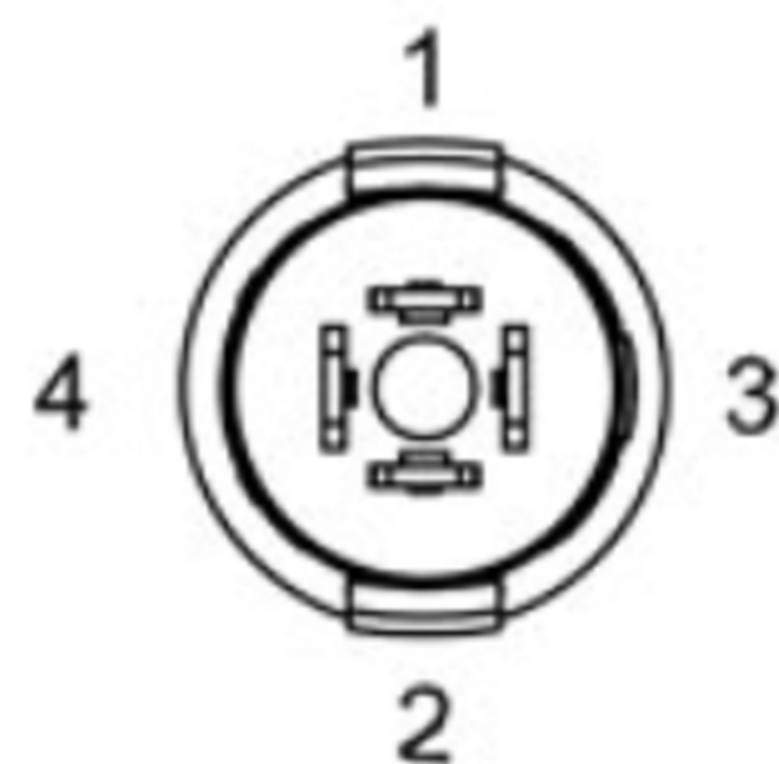


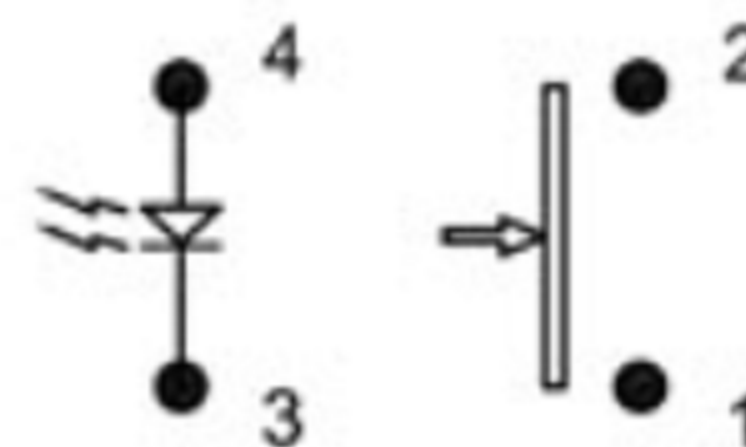
Rating: 0.2A 36VDC
 Contact Resistance: 50mΩ Max.
 Insulation Resistance: 100MΩ Min.
 Dielectric Strength: AC 500V 1 minute
 Total travel: 1.8±0.3mm
 Operating Force: 200±100gf
 Mechanical Life: Over 30,000 cycles
 Electrical Life: Over 10,000 cycles
 Operating Temperature: -20°C~+85°C
 Manual Welding: 350°C for 3 Seconds
 Function: OFF - (ON)



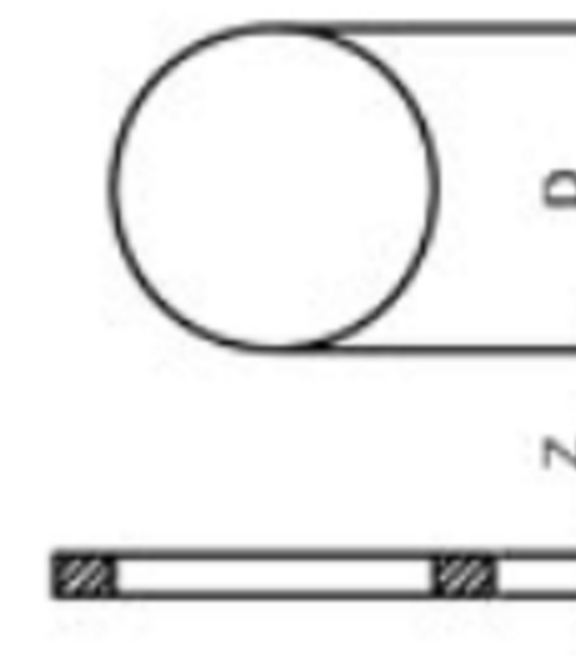
MATERIAL:
 Base: PA66, UL rated: 94 V-2 Min;
 Cap: PC ;
 Terminal: Copper, Golden plated ;



CIRCUIT



CUT-OUT



Z	D
0.8~1.0	8.0-8.1
1.0~1.7	8.1~8.25


广东科斯达电子科技有限公司
 GUANG DONG KE SI DA ELECTRONIC TECHNOLOGY CO., LTD.

TOLERANCE UNLESS OTHERWISE STATED: Up to 5 ±0.2, Above 5 ~ 15 ±0.3, Above 15 ~ 30 ±0.4, Above 30 ~ 50 ±0.5, Angle ±0.3
 3RD. ANGEL'S
 UNITS MM

DRAWN BY:	DATE	MAT'L	TITLE	SWITCH
Jack Lu	12/27/22			
CHECKED BY:	DATE	FINISH	MODLE	TACT SWITCH WITH LED
Jacky Chen	12/27/22			
APPROVED BY:	DATE	SCALE	DWG NO.	SIZE
Tony Kao	12/27/22	1 : 1		A4
		SHEET NO.	PART NO.	VER
		1 of 1		R

ITEM NO.	DESCRIPTION	DRAWN	DATE