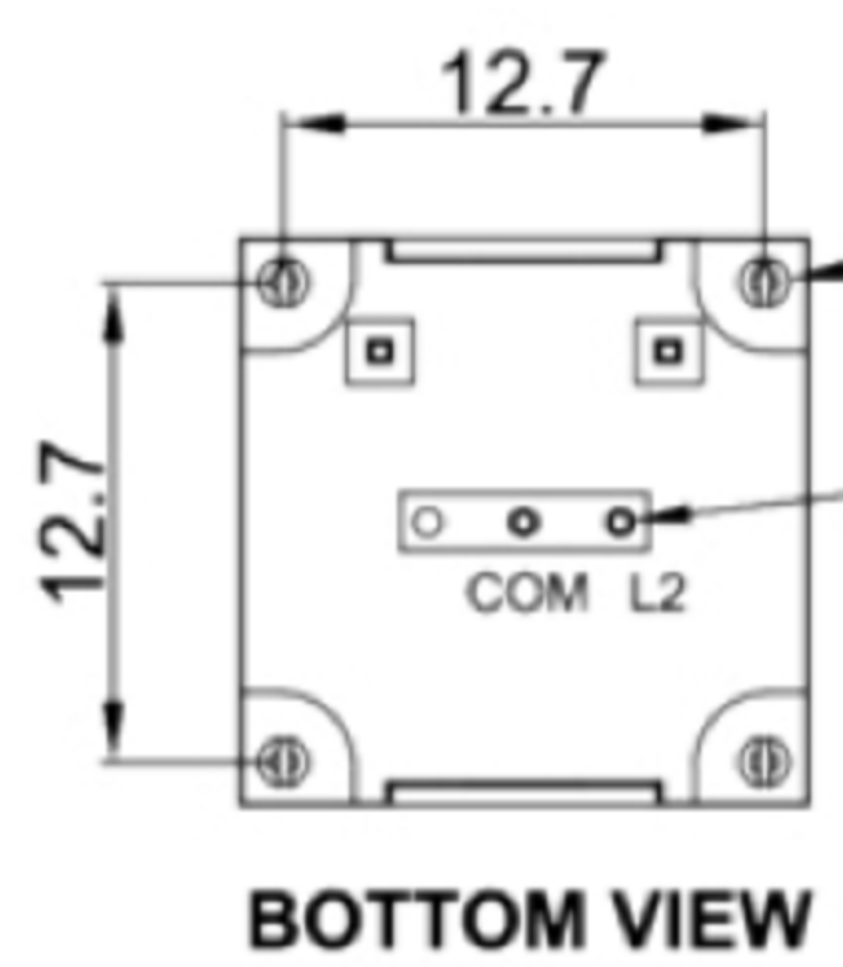
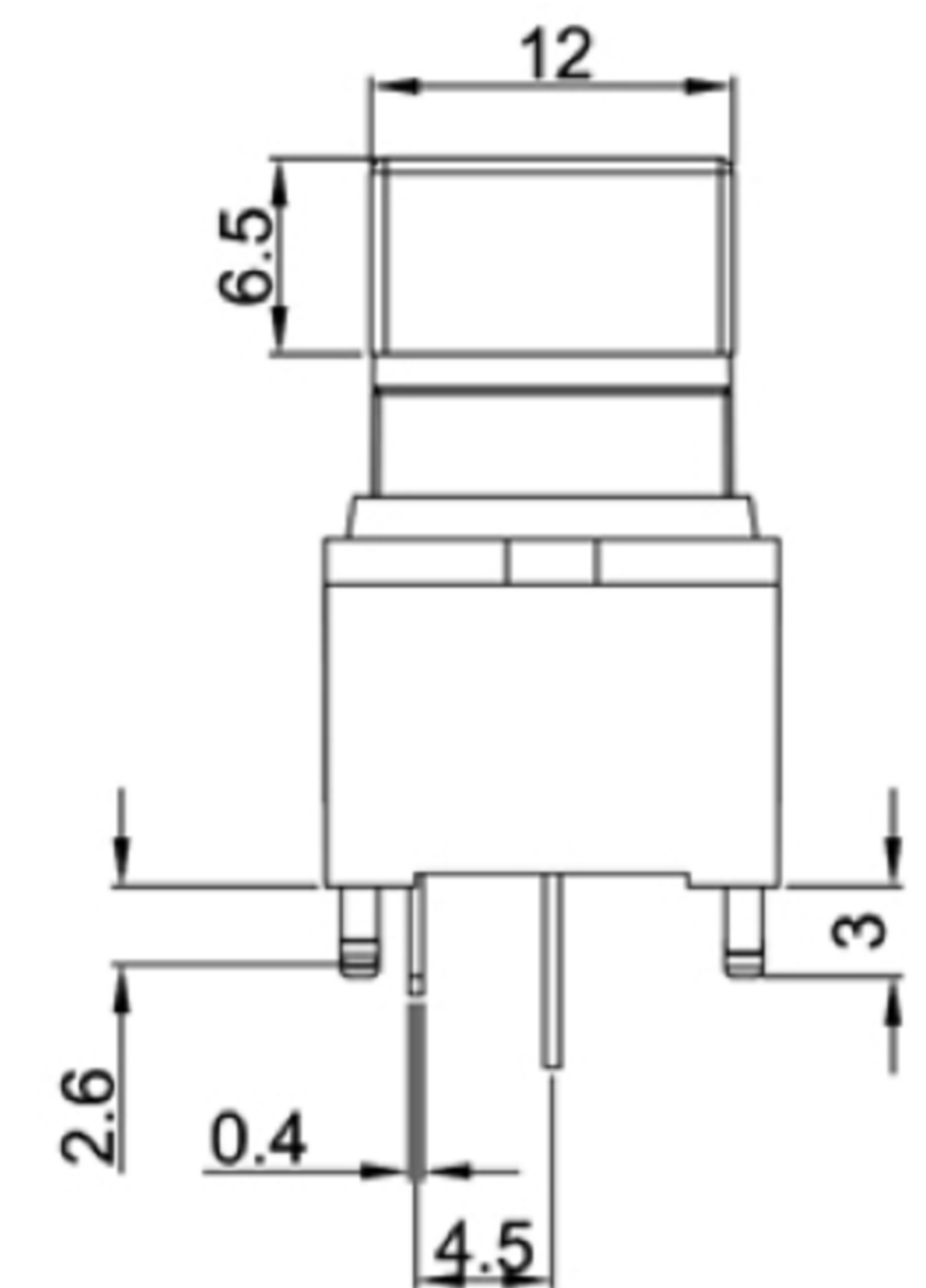
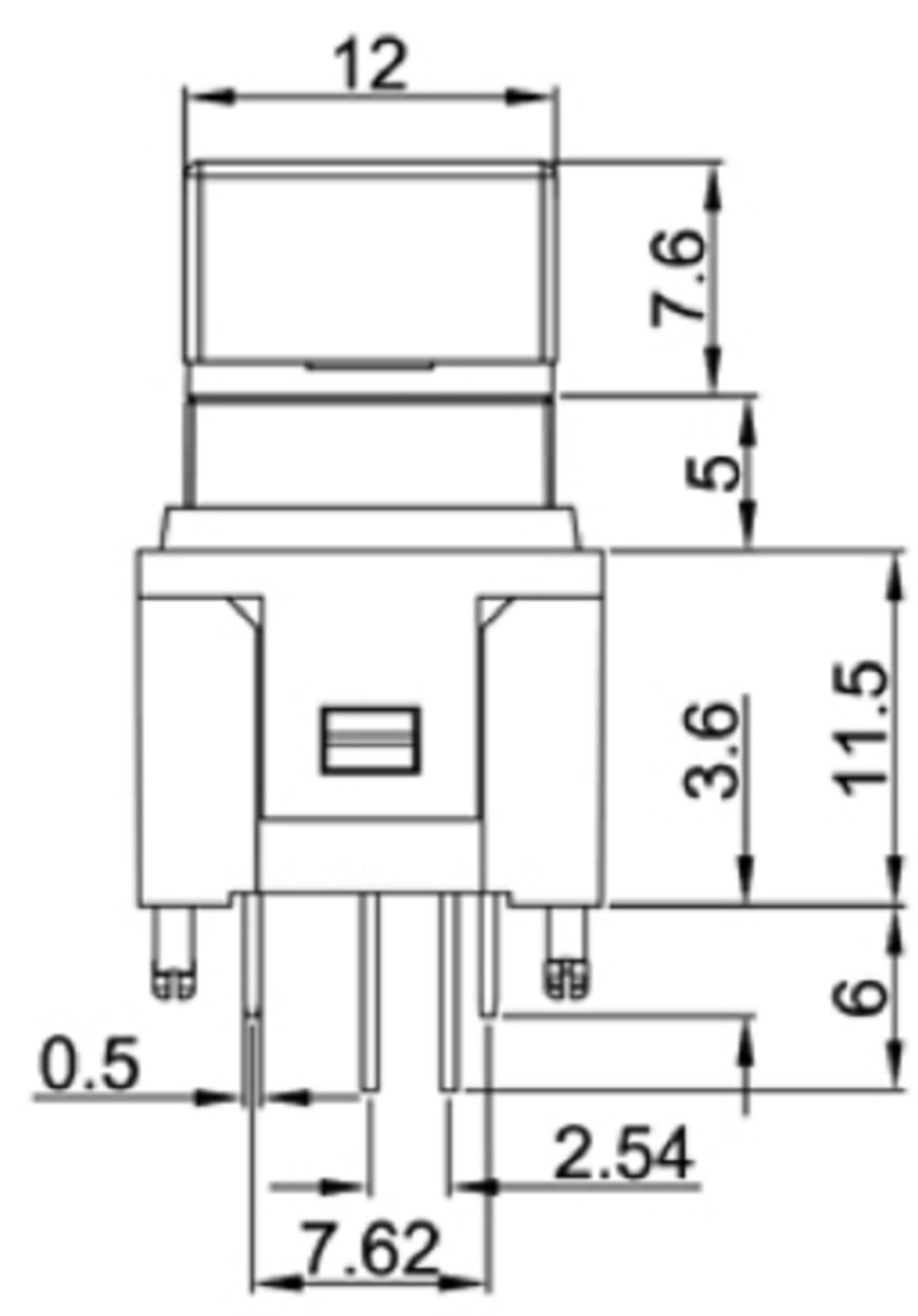


SPECIFICATIONS

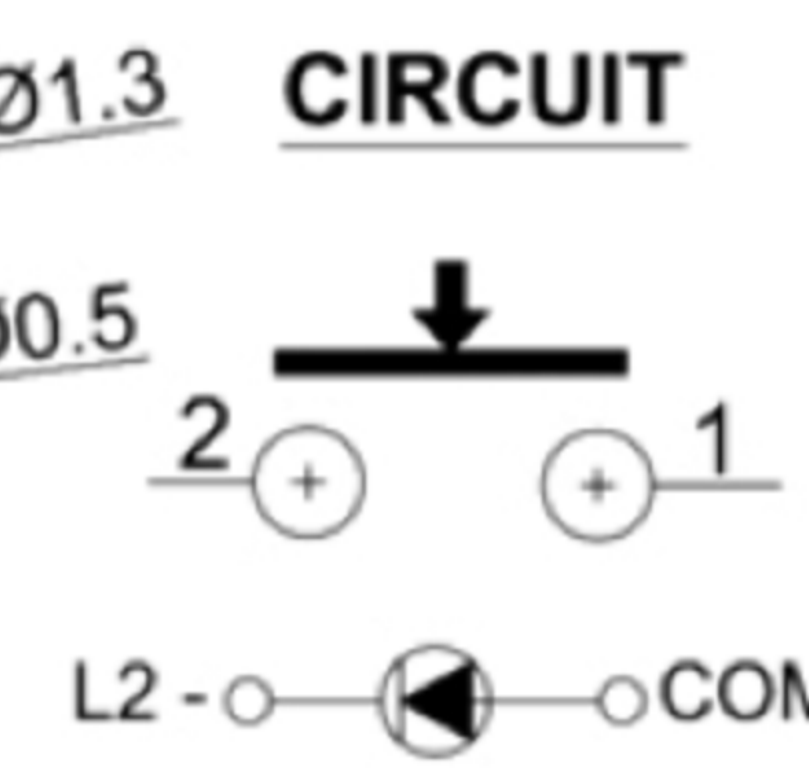
- Circuit :SPST
- Current rating :100mA
- Voltage rating :12VDC
- Dielectric withstanding voltage :250VAC for 1 minute
(between contacts)
(between contacts & case)
- Contact resistance :200mΩ Max. (Initial)
- Insulation resistance :100MΩ Min.
- Operating force :250±100gf
- Full travel :4.5mm±0.2mm
- Mechanical life :Over 2,000,000 cycles
- Electrical life :Over 1,000,000 cycles
- Manual welding :350°C for 3 seconds
- Operating temperature :-20°C ~ +70°C
- Function :OFF-(ON)

MATERIAL:

- Base:PA+GF,UL rated:94 V-2 Min.
- Cap:PC
- Terminal:Brass, Silver plated;

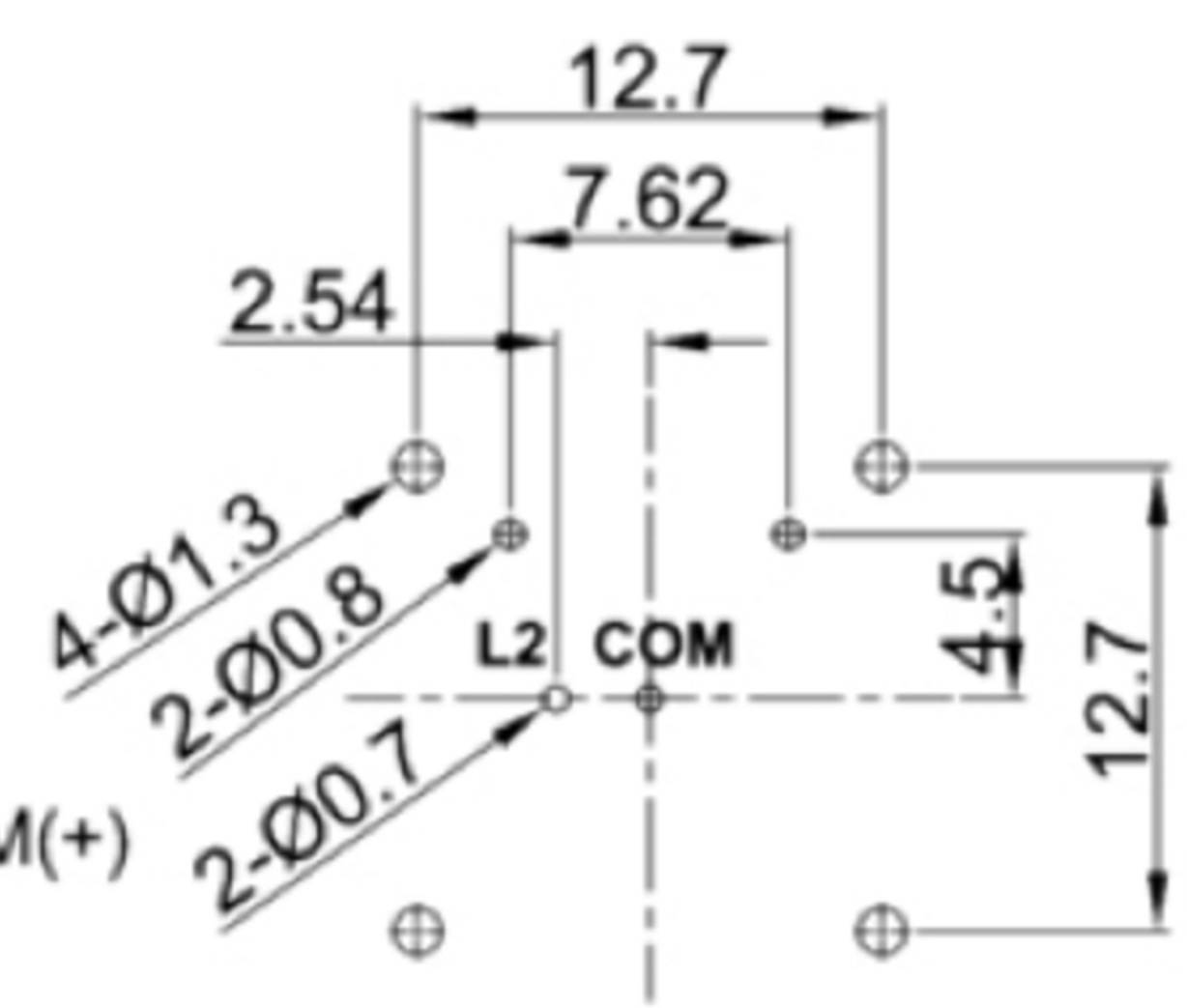


BOTTOM VIEW



CIRCUIT

P.C.B. LAYOUT




广东科斯达电子科技有限公司
GUANG DONG KE SI DA ELECTRONIC TECHNOLOGY CO., LTD.

| | | | | | | | | |
|------------------------------------|--------------|-------------------|--------------------|--------------------|------------|--------------|-------|----|
| TOLERANCE UNLESS OTHERWISE STATED: | Up to 5 ±0.2 | Above 5 ~ 15 ±0.3 | Above 15 ~ 30 ±0.4 | Above 30 ~ 50 ±0.5 | Angle ±0.3 | 3RD. ANGEL'S | UNITS | MM |
|------------------------------------|--------------|-------------------|--------------------|--------------------|------------|--------------|-------|----|

| | | | | |
|--------------|----------|-----------|----------|----------------------|
| DRAWN BY: | DATE | MAT'L | TITLE | SWITCH |
| Jack Lu | 12/27/22 | | | |
| CHECKED BY: | DATE | FINISH | MODLE | TACT SWITCH WITH LED |
| Jacky Chen | 12/27/22 | | | |
| APPROVED BY: | DATE | SCALE | DWG NO. | |
| Tony Kao | 12/27/22 | 1 : 1 | | |
| | | SHEET NO. | PART NO. | |
| | | 1 of 1 | | |

| | | | |
|----------|-------------|-------|------|
| ITEM NO. | DESCRIPTION | DRAWN | DATE |
| | | | |