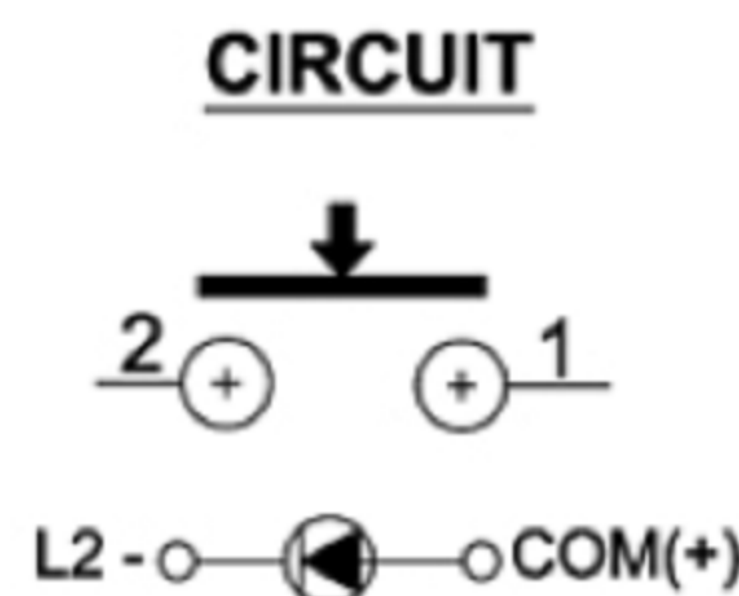
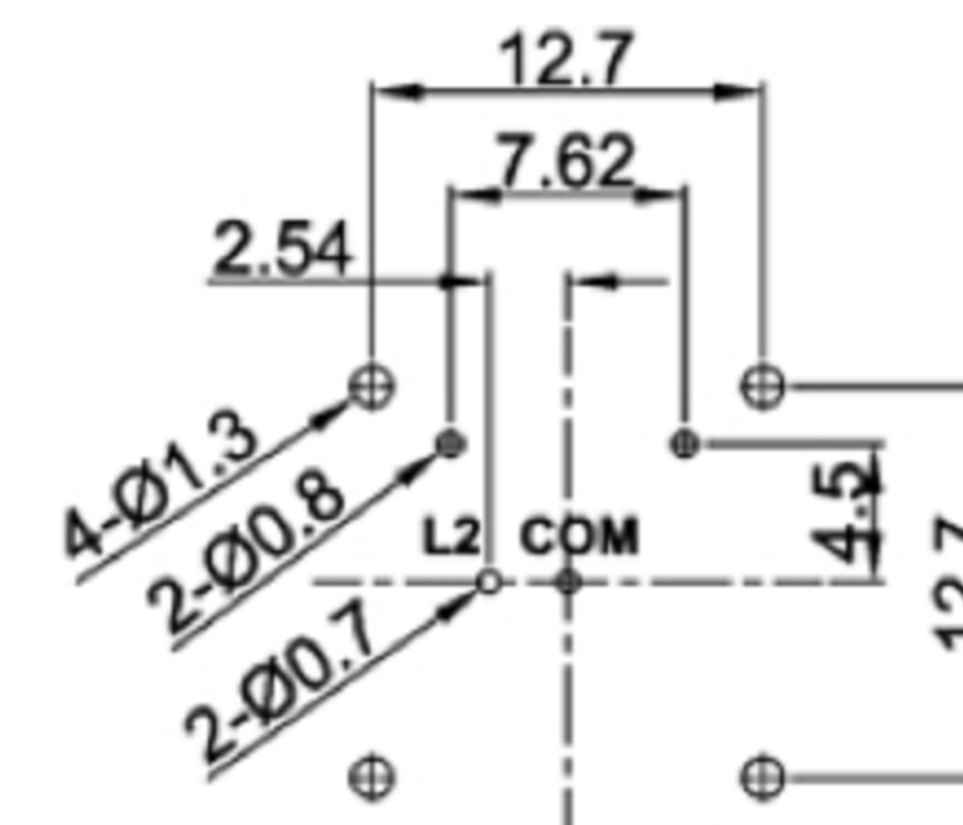


BOTTOM VIEW

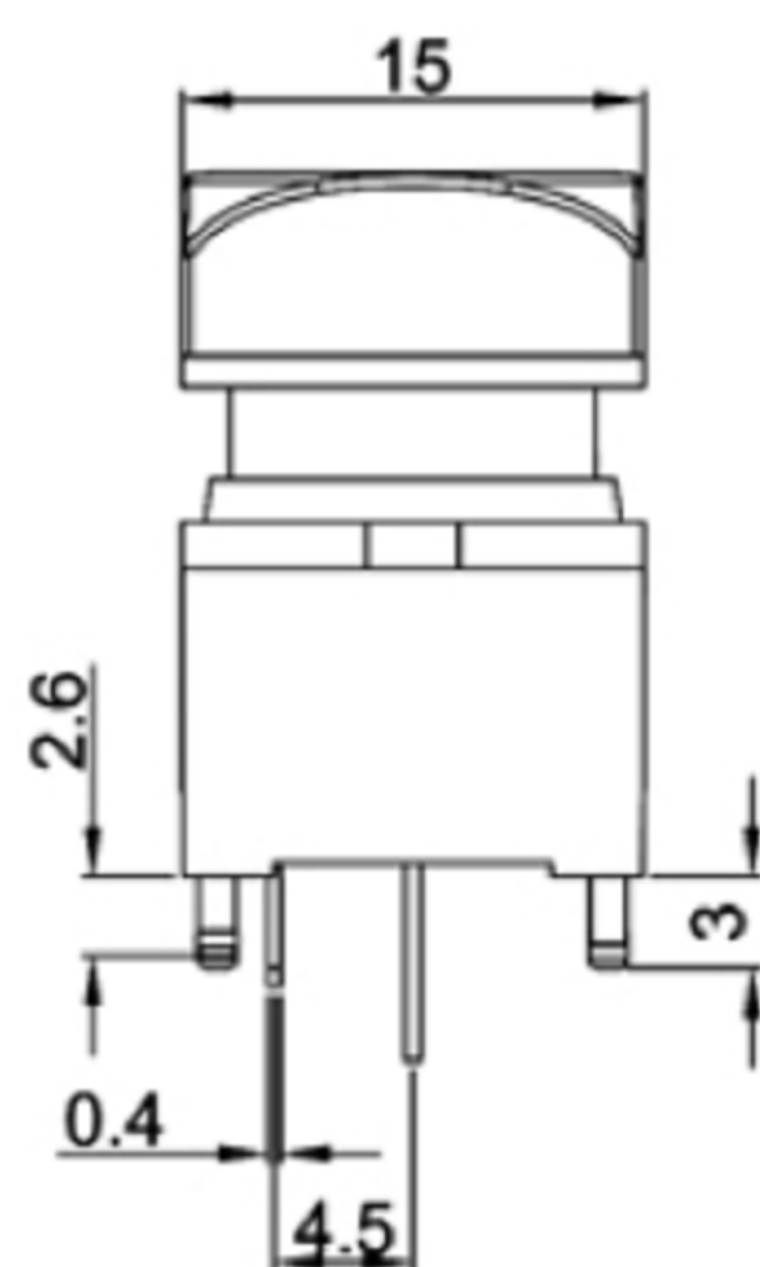
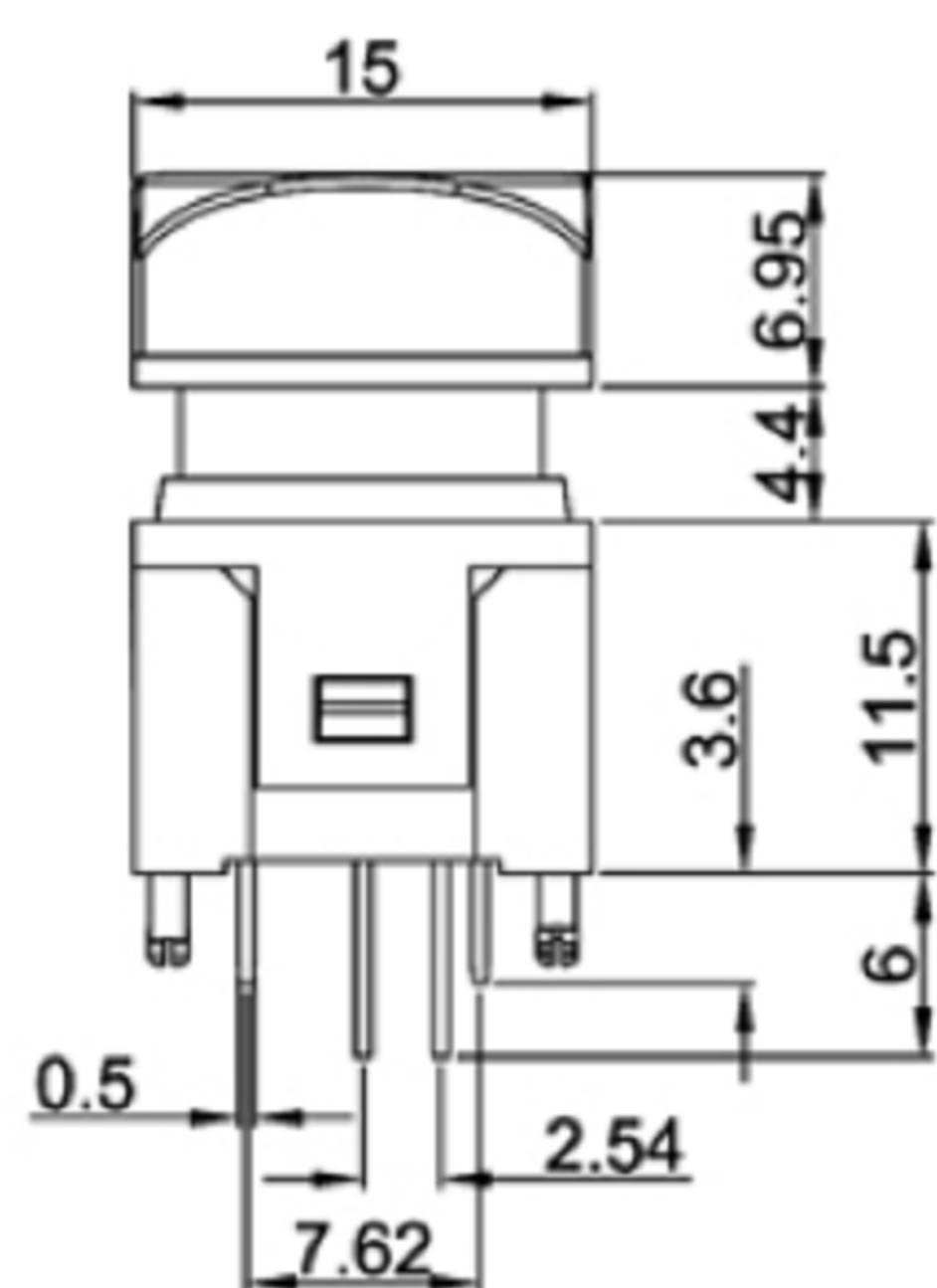
双色灯：



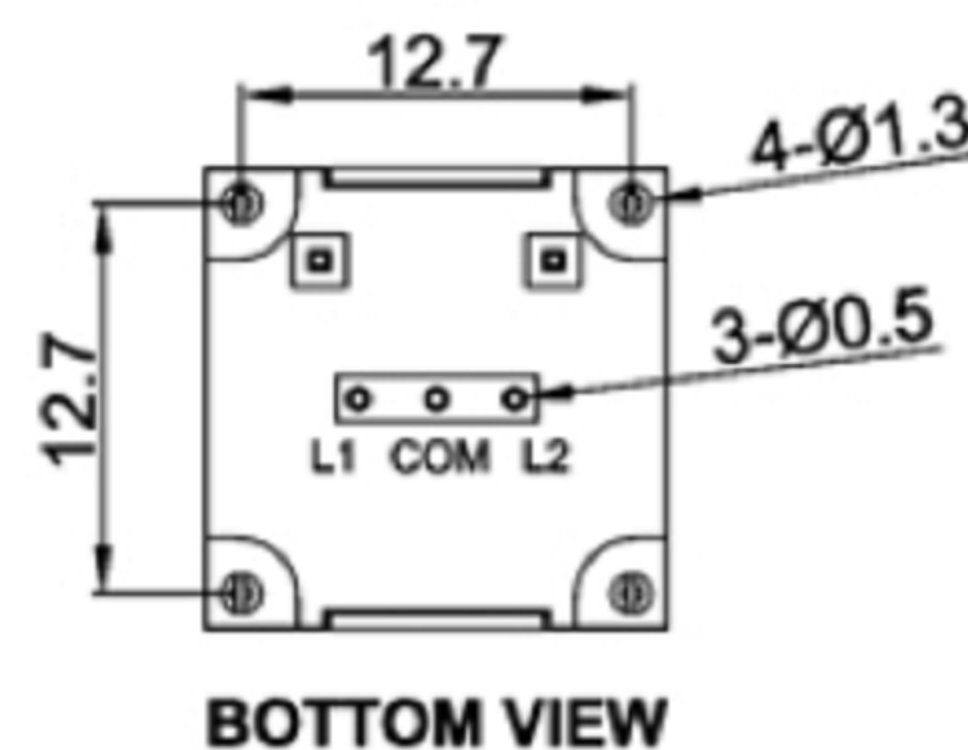
CIRCUIT



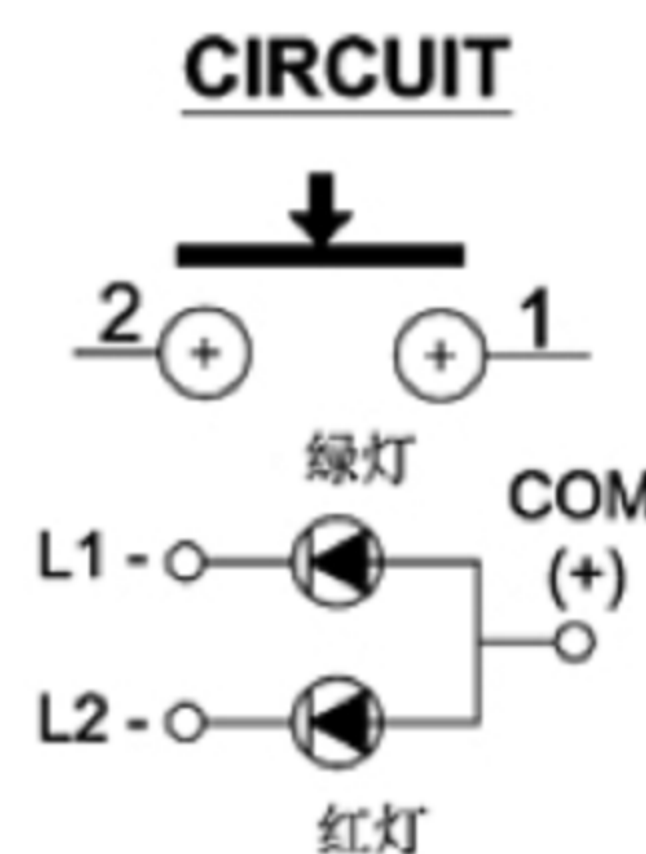
P.C.B. LAYOUT



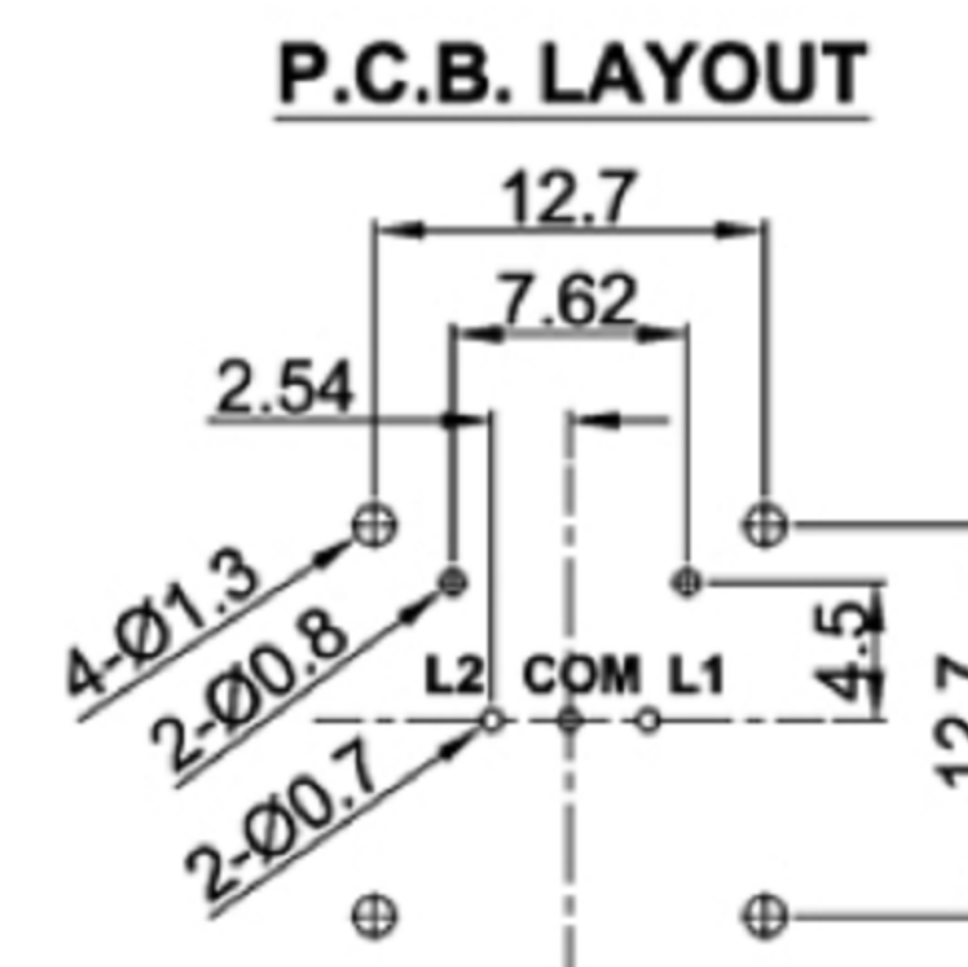
RGB三色灯：



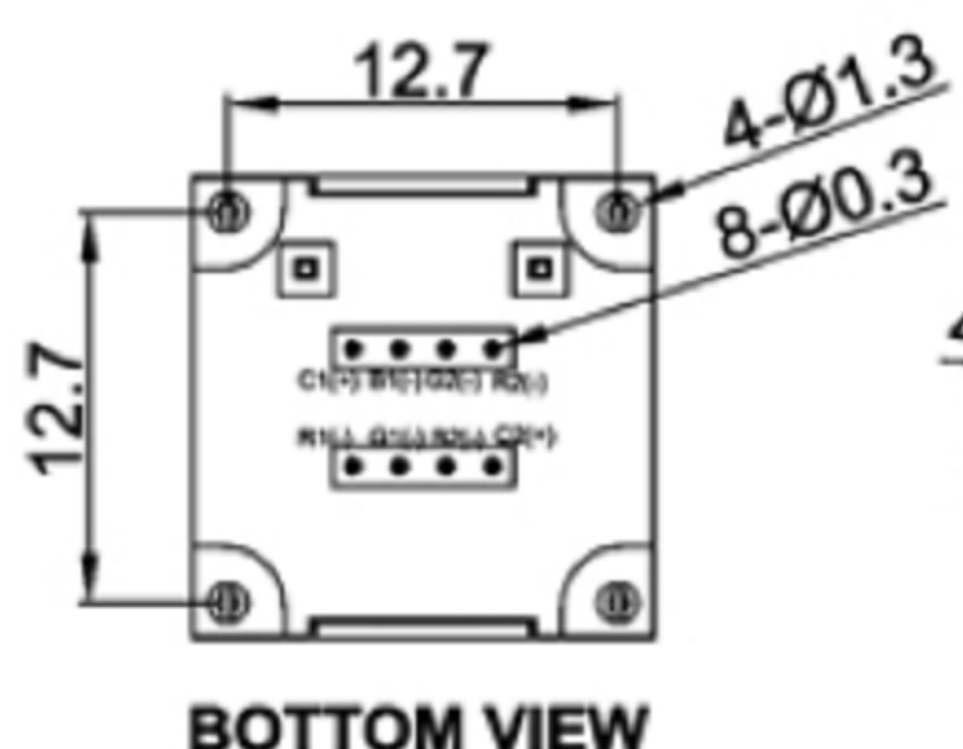
BOTTOM VIEW



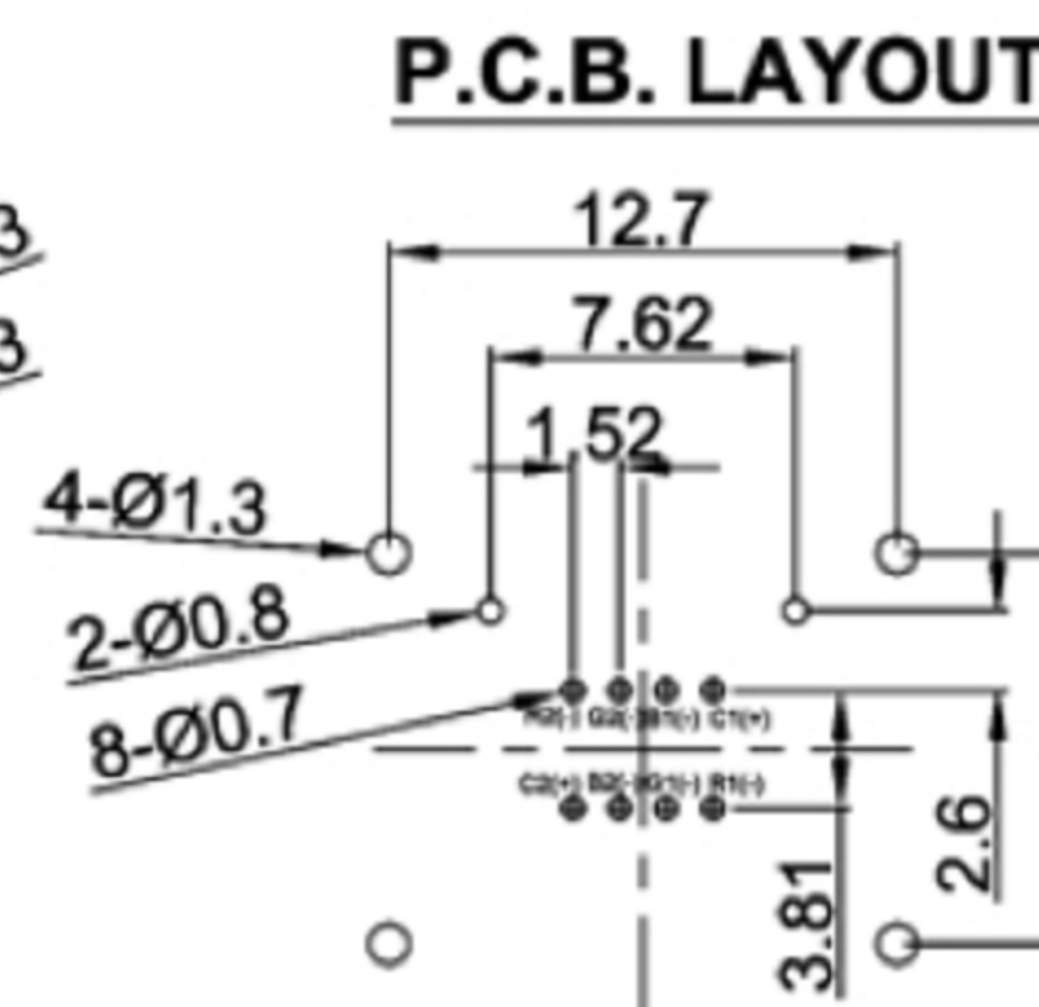
CIRCUIT



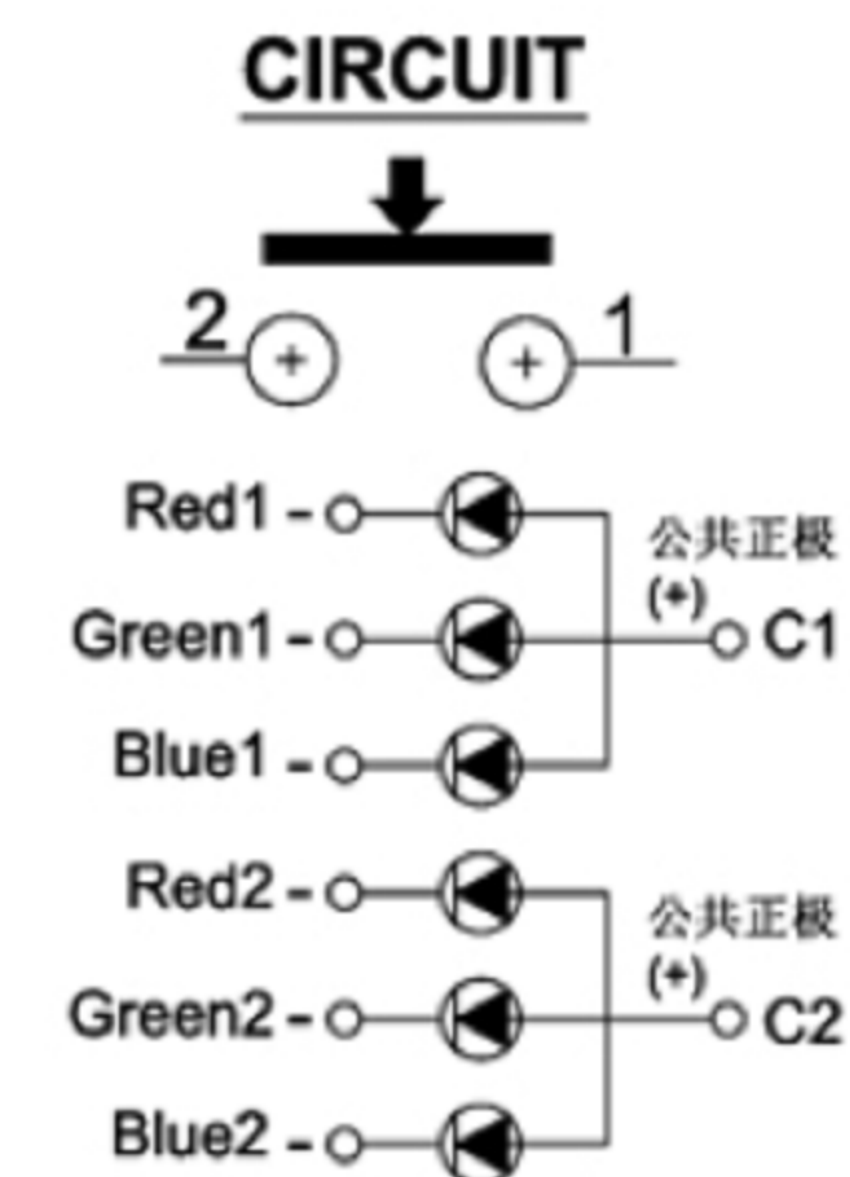
P.C.B. LAYOUT



BOTTOM VIEW



P.C.B. LAYOUT



CIRCUIT

**广东科斯达电子科技有限公司**  
**GUANG DONG KE SI DA ELECTRONIC TECHNOLOGY CO., LTD.**

TOLERANCE UNLESS OTHERWISE STATED: Up to 5 ±0.2, Above 5 ~ 15 ±0.3, Above 15 ~ 30 ±0.4, Above 30 ~ 50 ±0.5, Angle ±0.3

3RD. ANGEL'S

UNITS MM

DRAWN BY: Jack Lu  
 CHECKED BY: Jacky Chen  
 APPROVED BY: Tony Kao

DATE: 12/27/22  
 DATE: 12/27/22  
 DATE: 12/27/22

MAT'L  
 FINISH  
 SCALE: 1:1  
 SHEET NO.: 1 of 1

TITLE: SWITCH  
 MODLE: TACT SWITCH WITH LED  
 DWG NO.  
 PART NO.

SIZE: A4  
 VER: R

ITEM NO.	DESCRIPTION	DRAWN	DATE