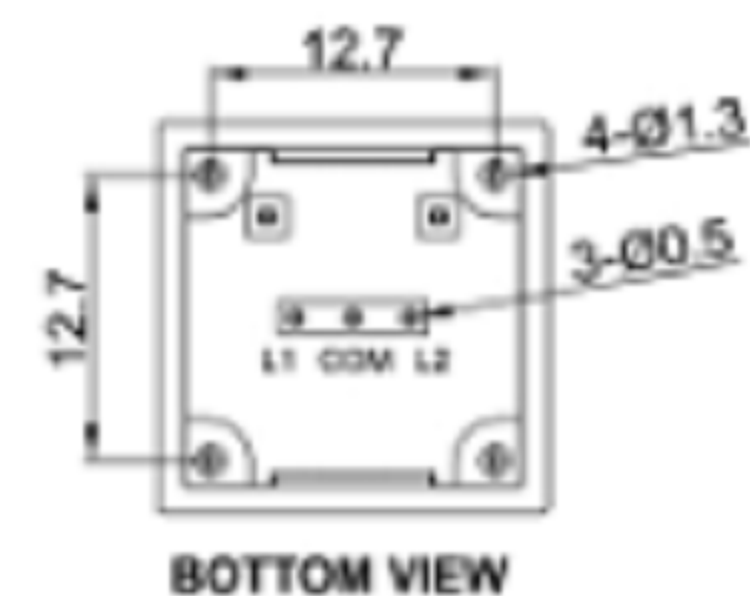
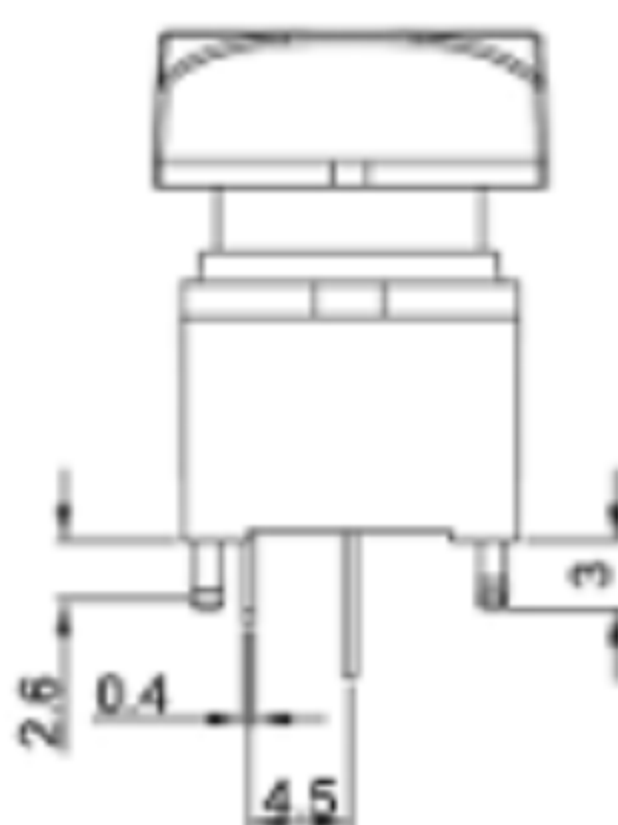
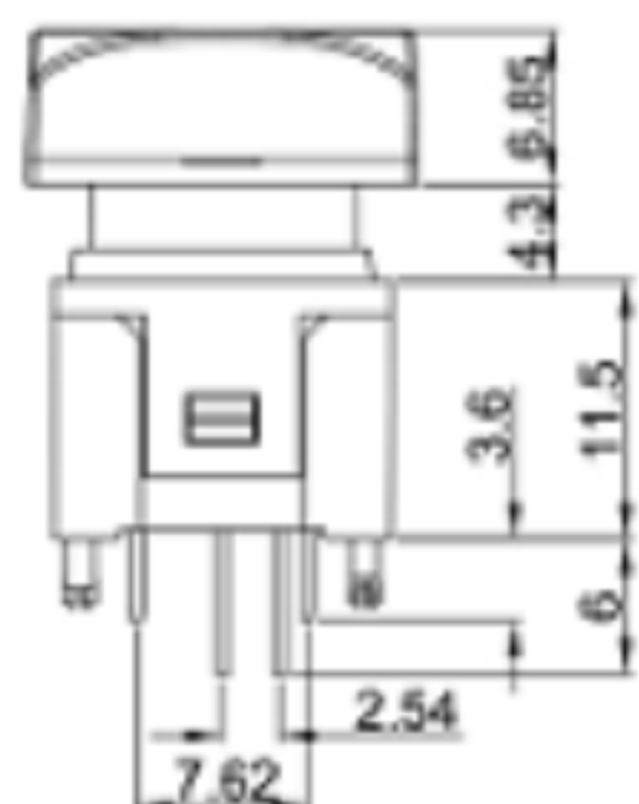
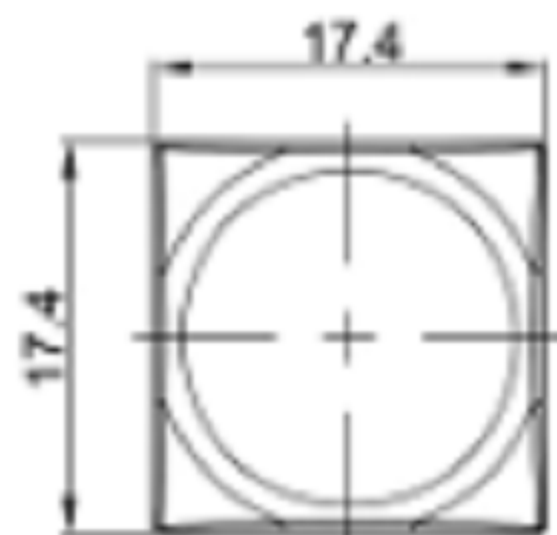
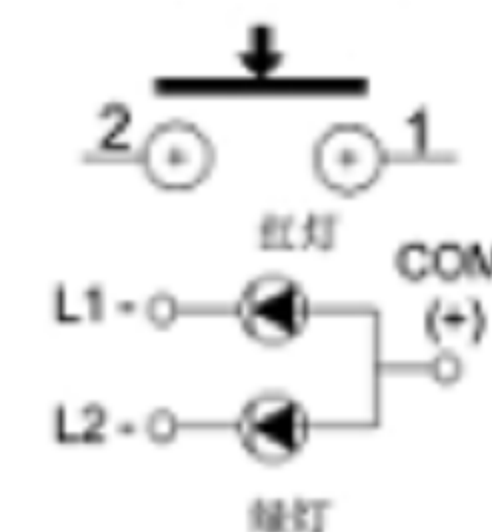




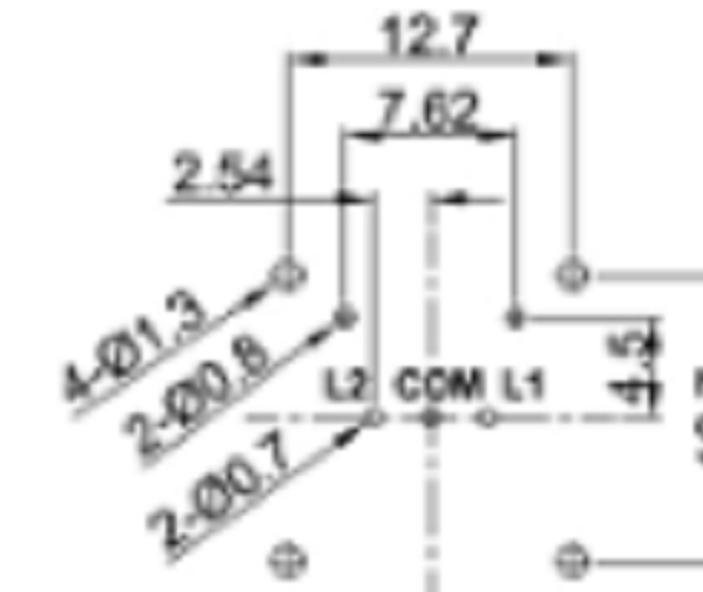
单色灯：



CIRCUIT

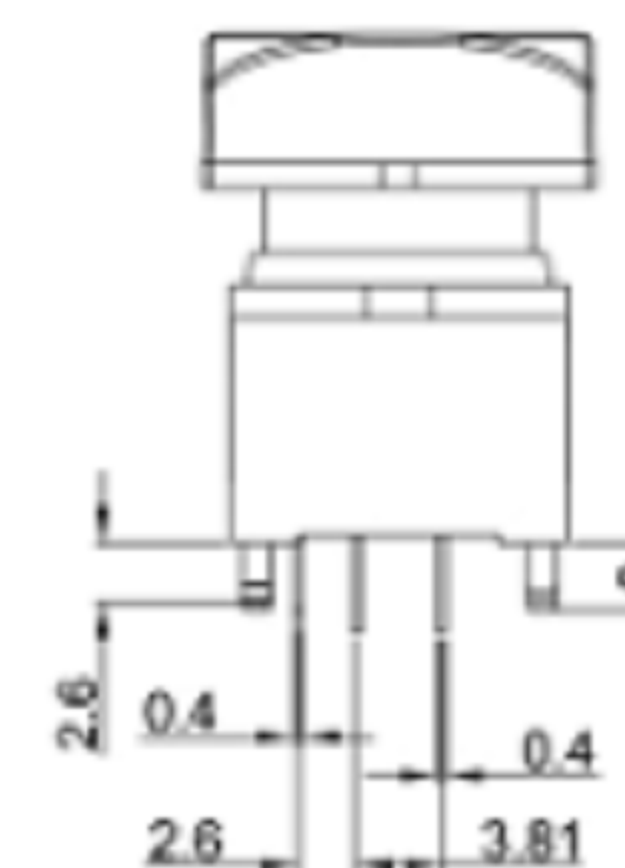
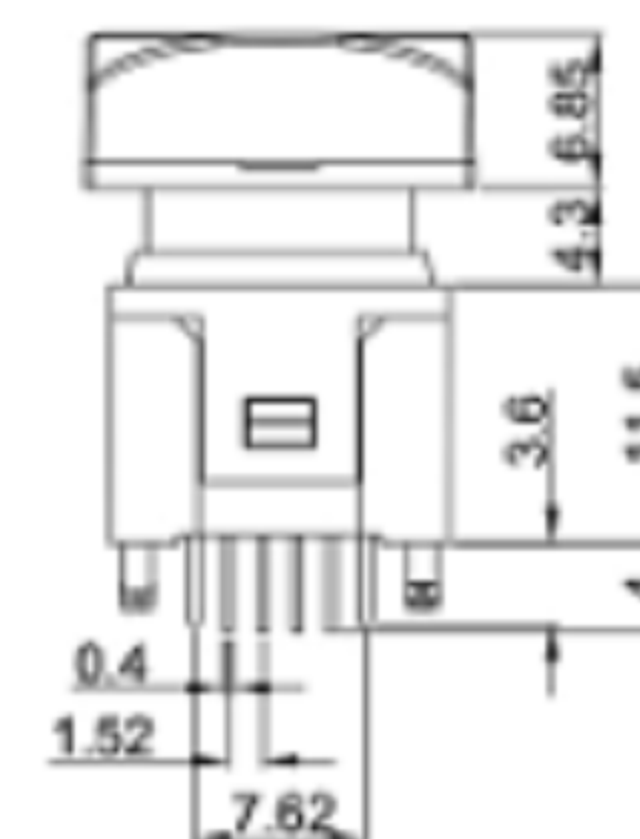
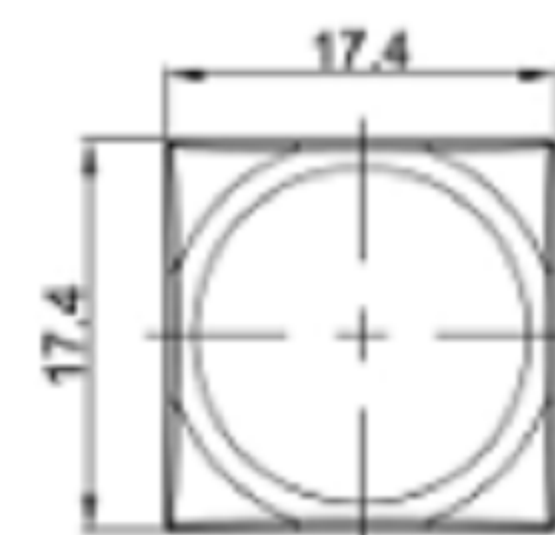


P.C.B. LAYOUT

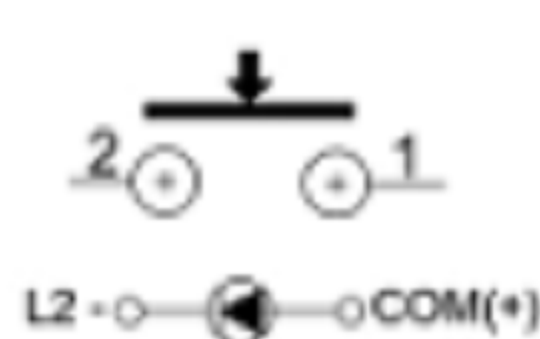


BOTTOM VIEW

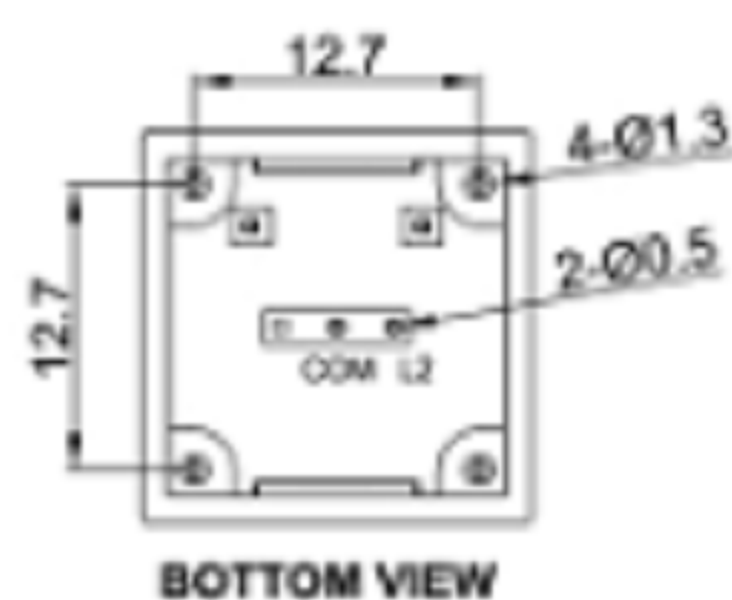
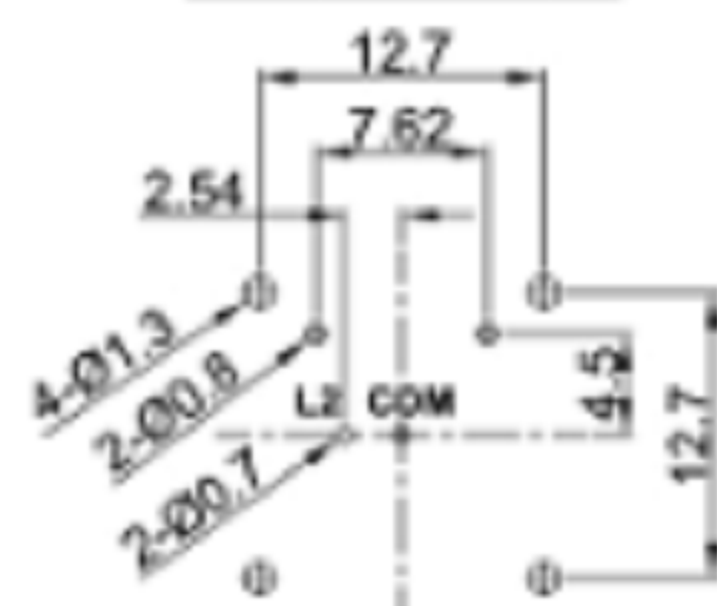
RGB三色灯：



CIRCUIT

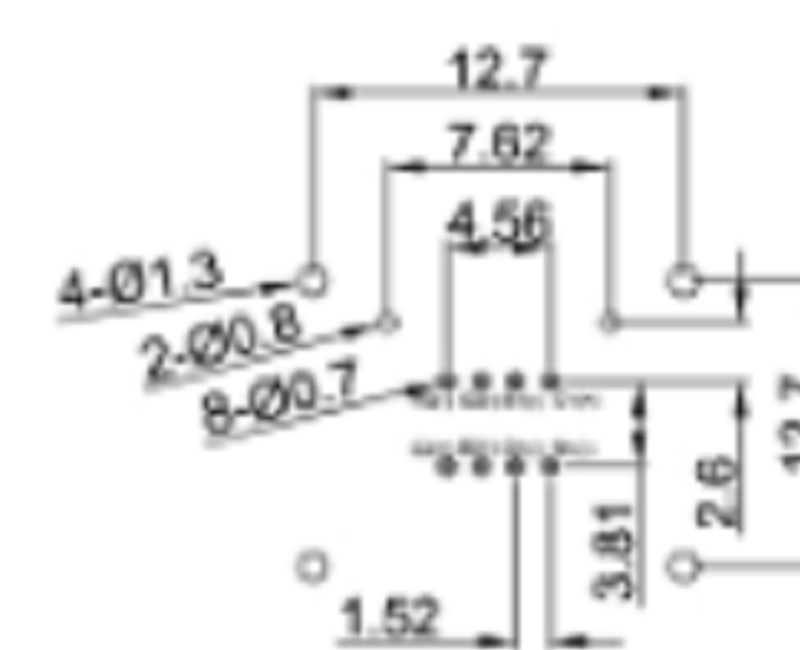


P.C.B. LAYOUT

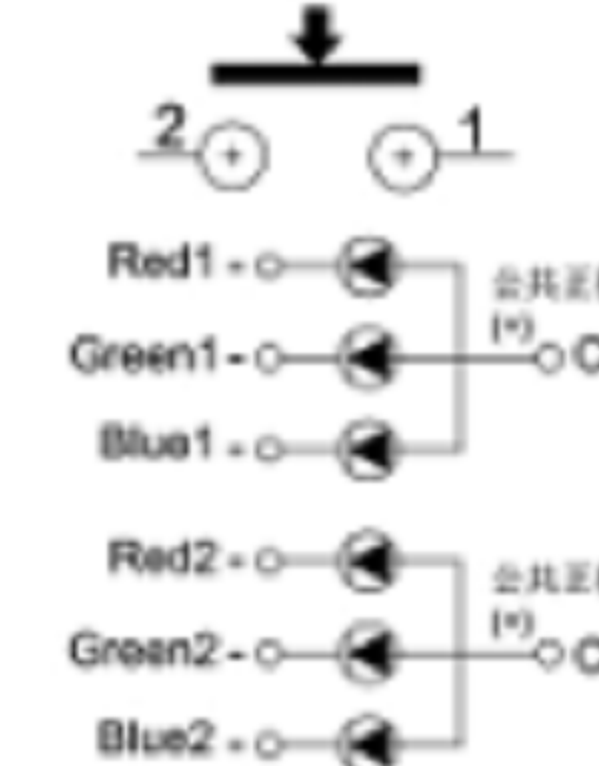


BOTTOM VIEW

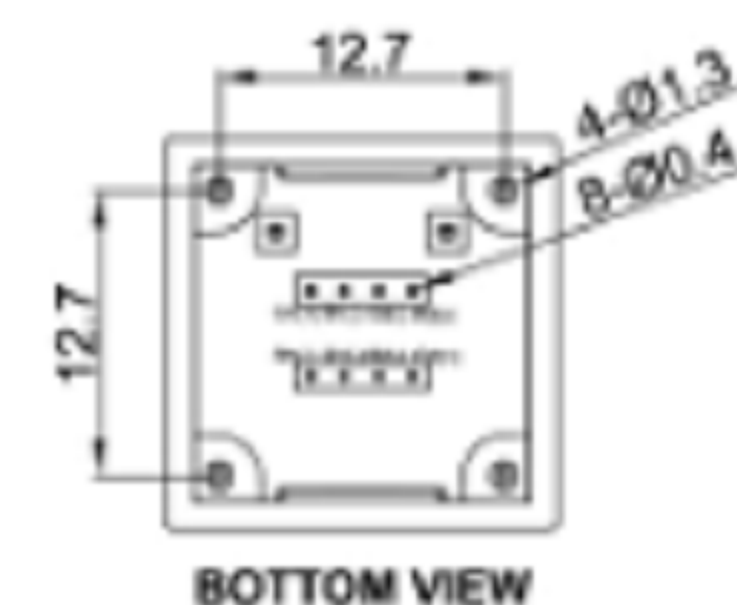
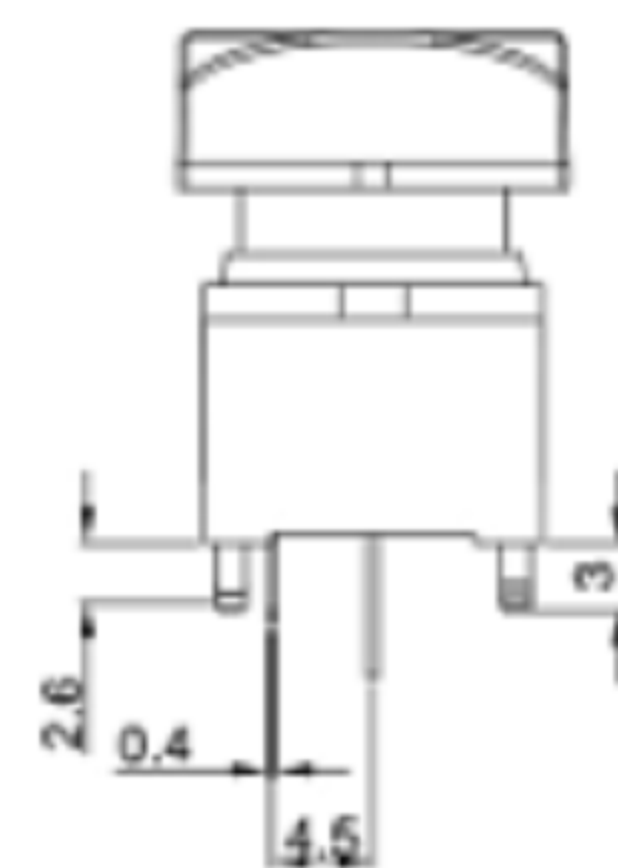
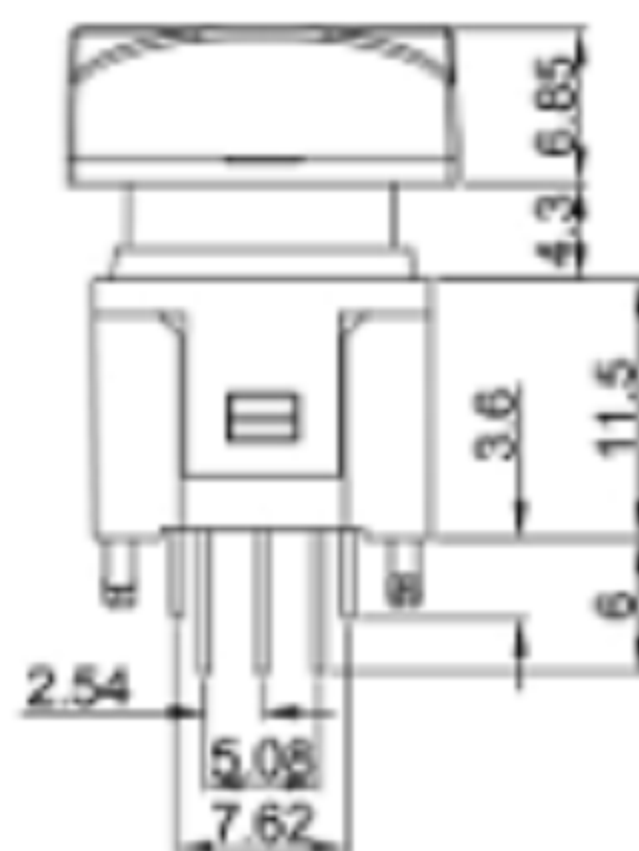
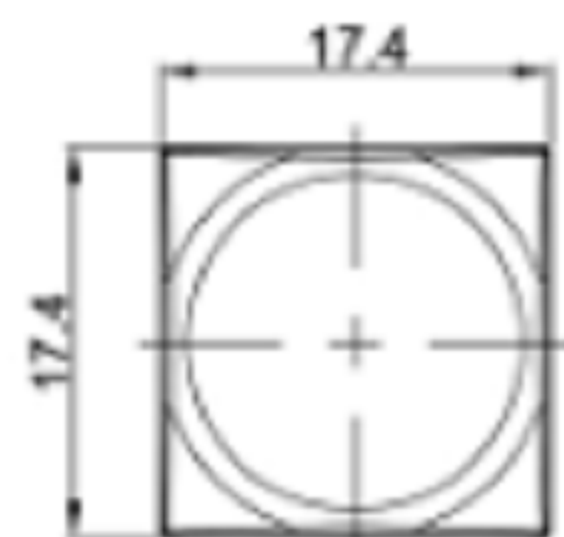
P.C.B. LAYOUT



CIRCUIT



双色灯：



BOTTOM VIEW

ITEM NO.	DESCRIPTION	DRAWN	DATE

广东科斯达电子科技有限公司  
GUANG DONG KE SI DA ELECTRONIC TECHNOLOGY CO., LTD.

TOLERANCE UNLESS OTHERWISE STATED: Up to 5 ±0.2, Above 5 ~ 15 ±0.3, Above 15 ~ 30 ±0.4, Above 30 ~ 50 ±0.5, Angle ±0.3°

3RD. ANGEL'S UNITS MM

DRAWN BY:	DATE	MAT'L	TITLE	SWITCH
Jack Lu	12/27/22			
CHECKED BY:	DATE	FINISH	MODLE	TACT SWITCH WITH LED
Jacky Chen	12/27/22			
APPROVED BY:	DATE	SCALE	DWG NO.	
Tony Kao	12/27/22	1:1		
		SHEET NO.	PART NO.	
		1 of 1		

SIZE A4  
VER R