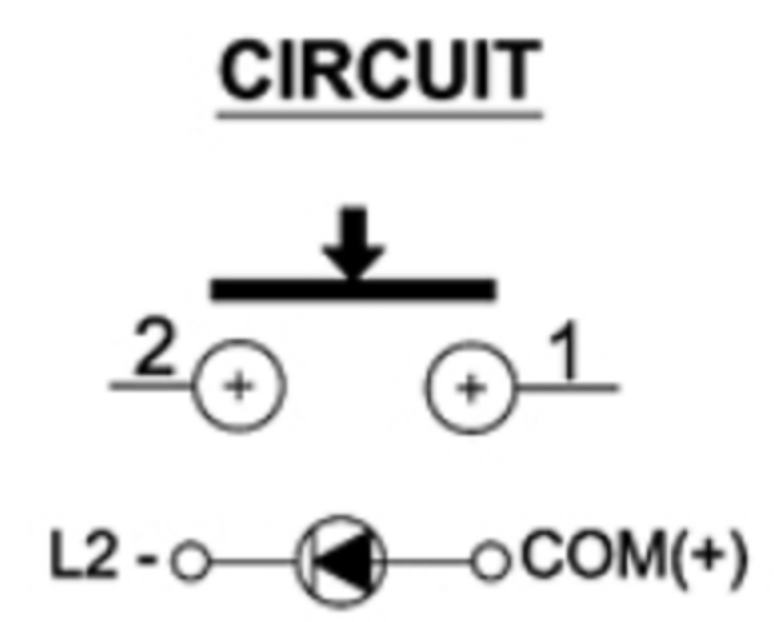
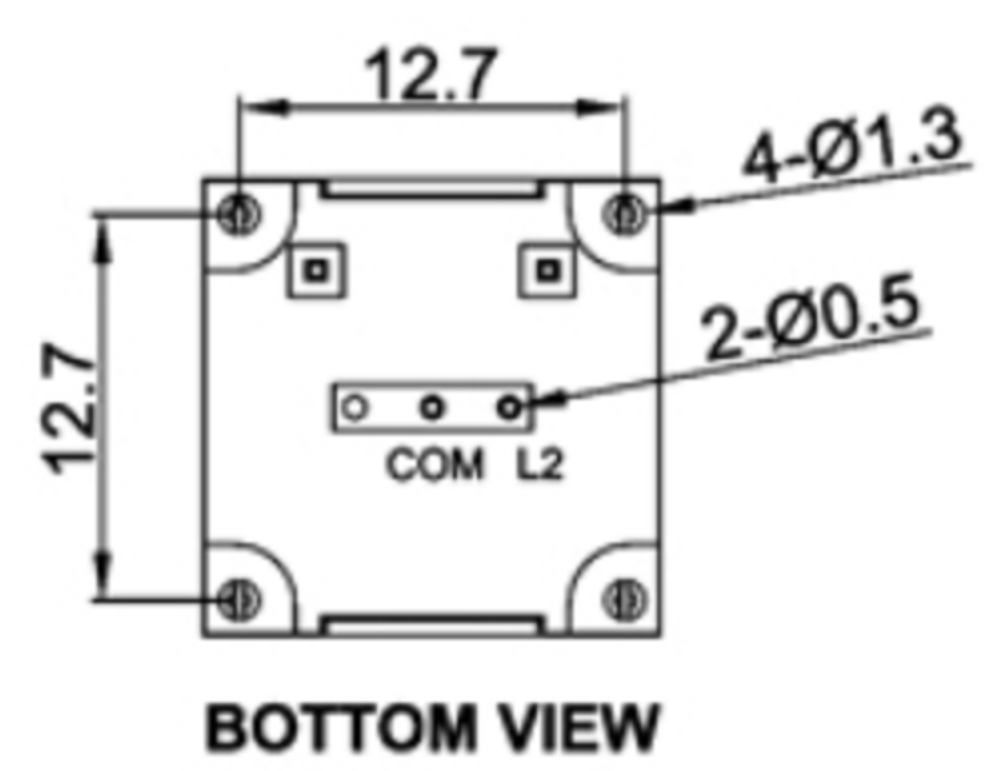
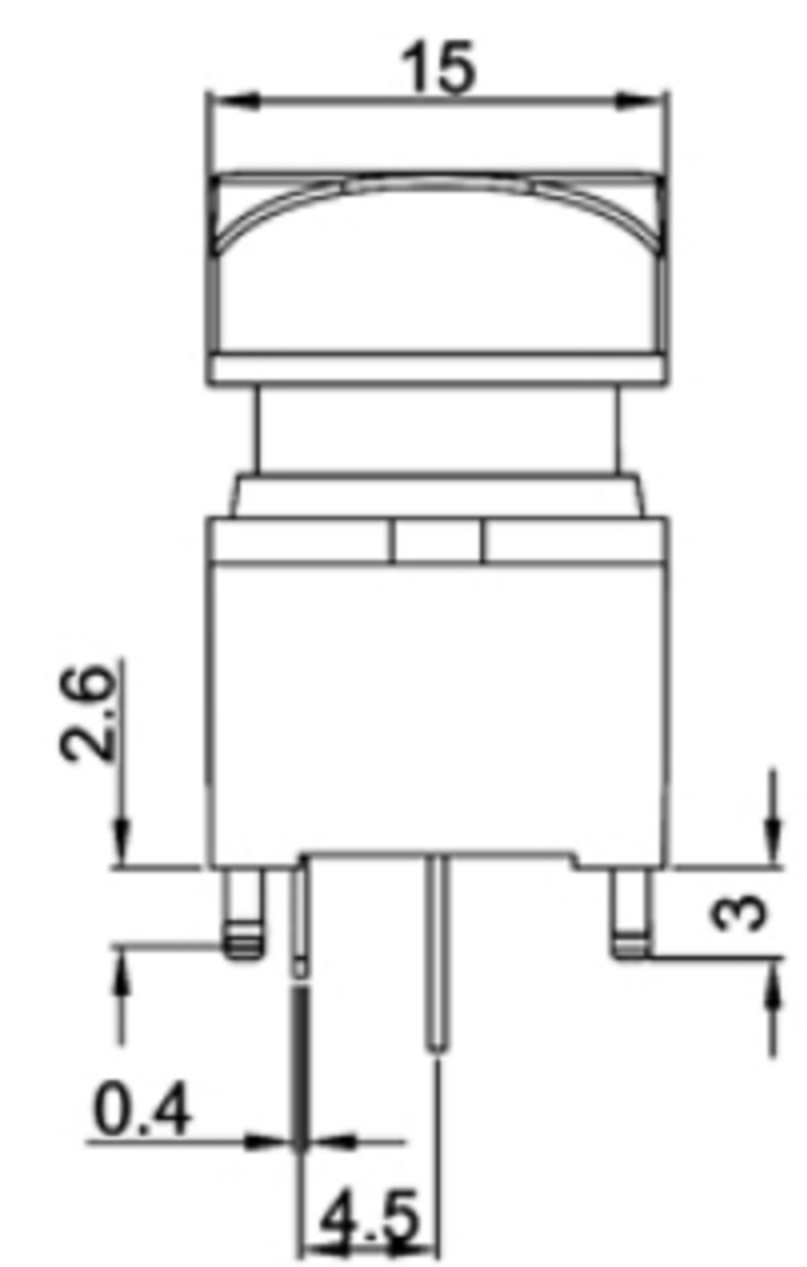
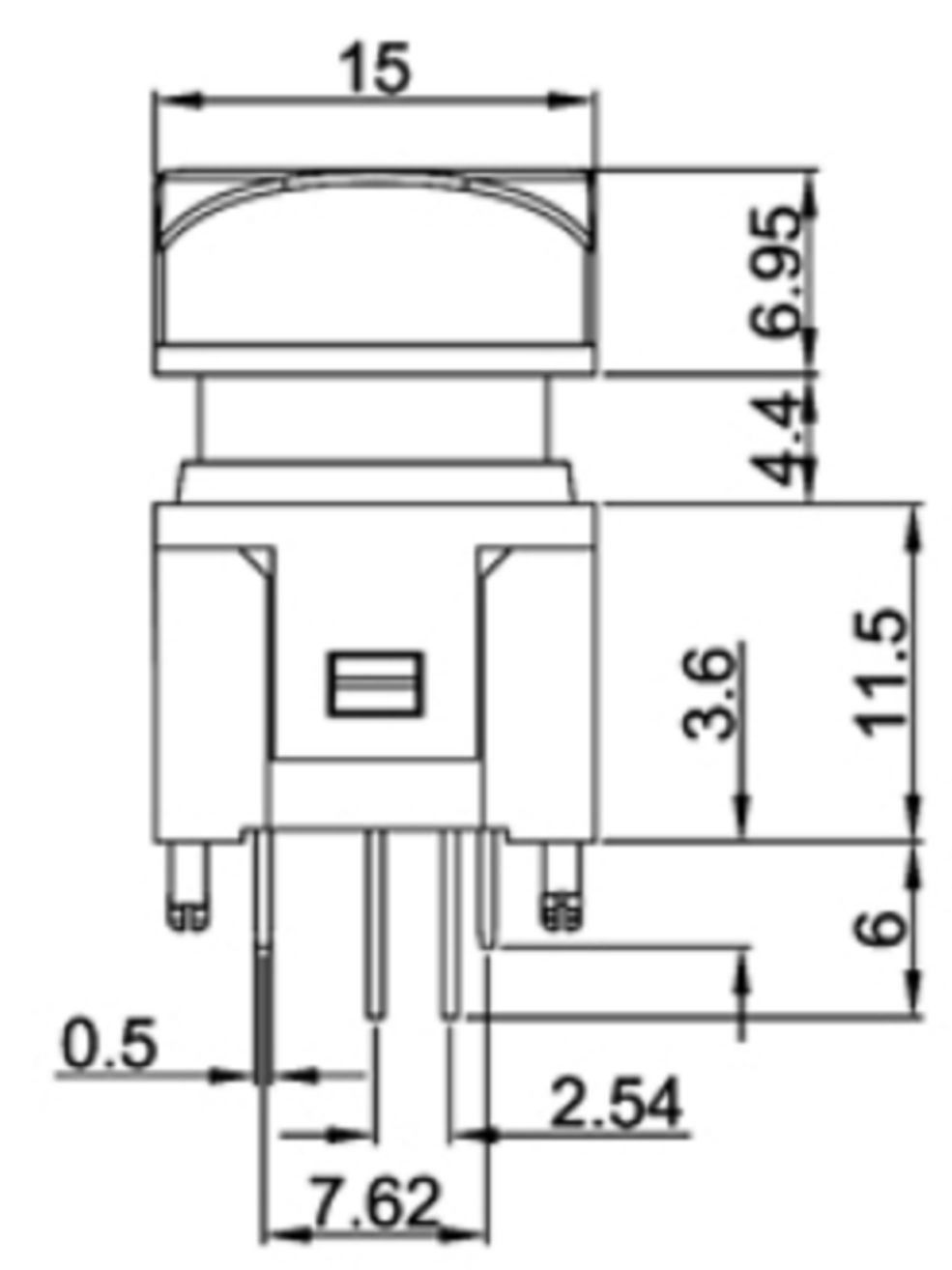
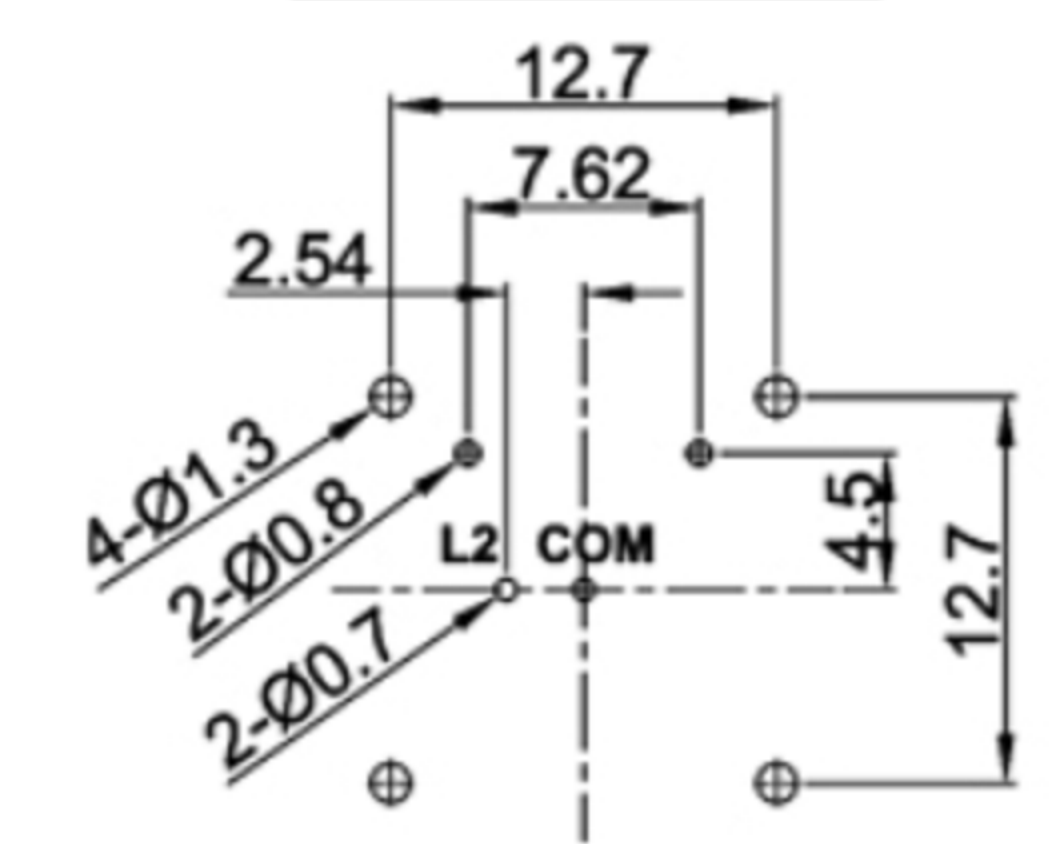


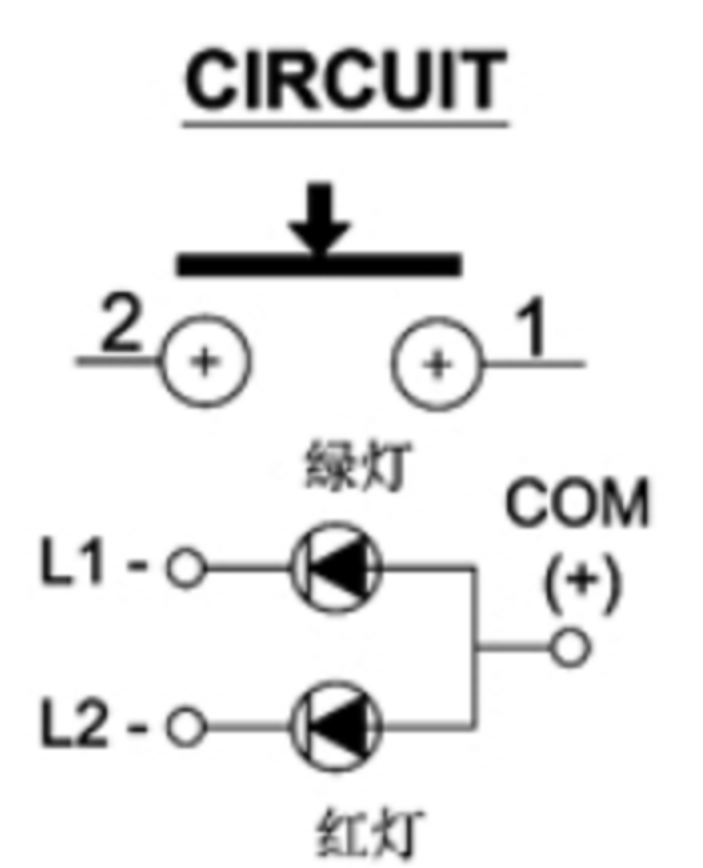
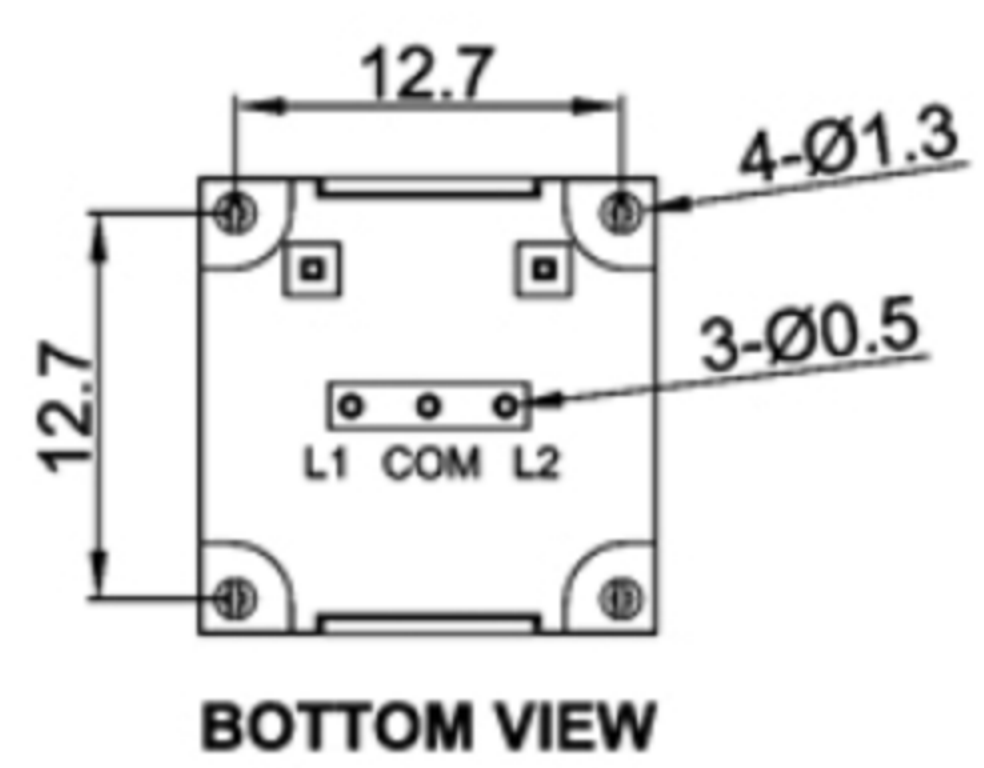
单色灯：



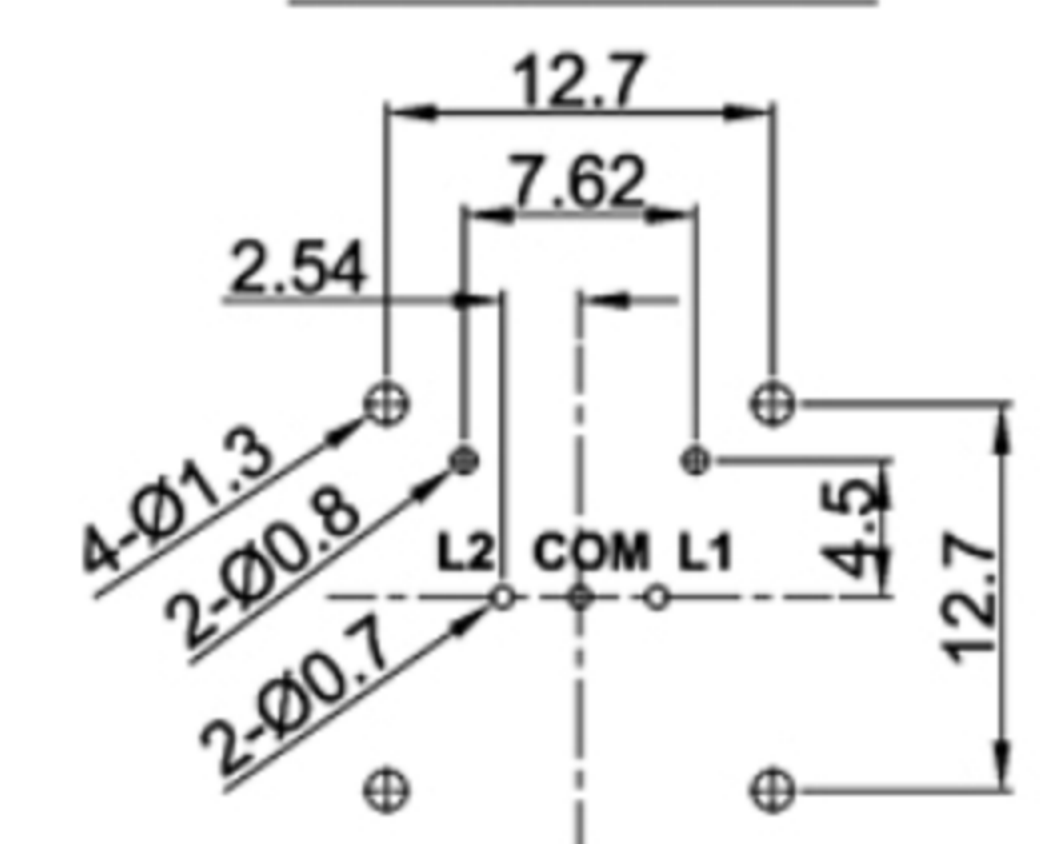
P.C.B. LAYOUT



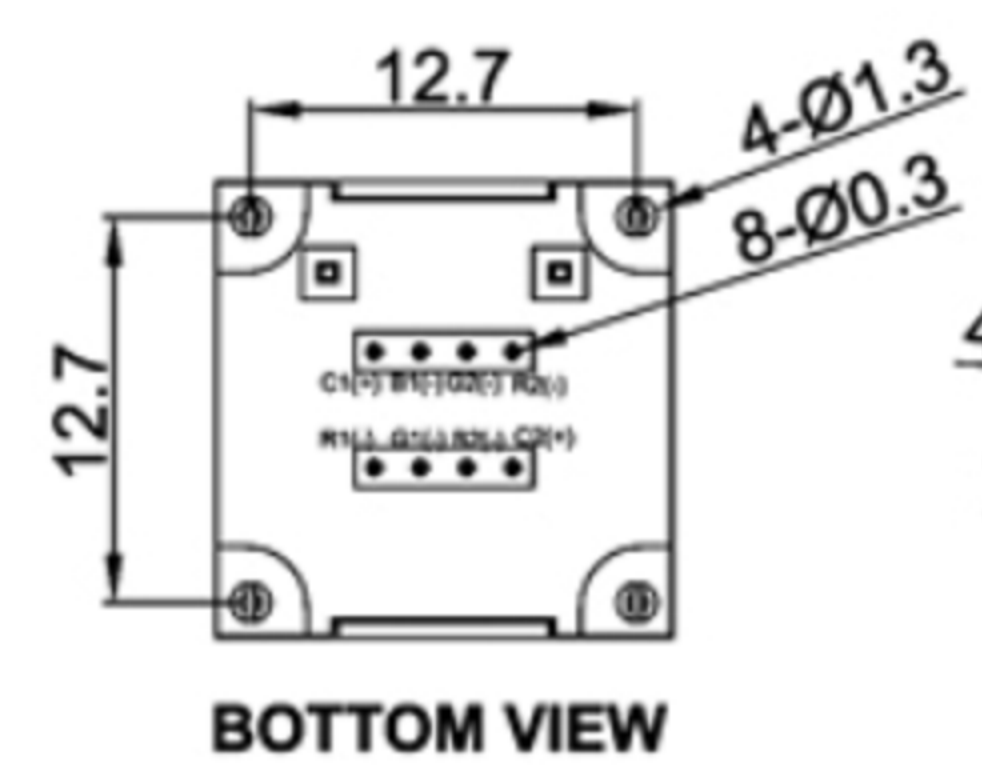
双色灯：



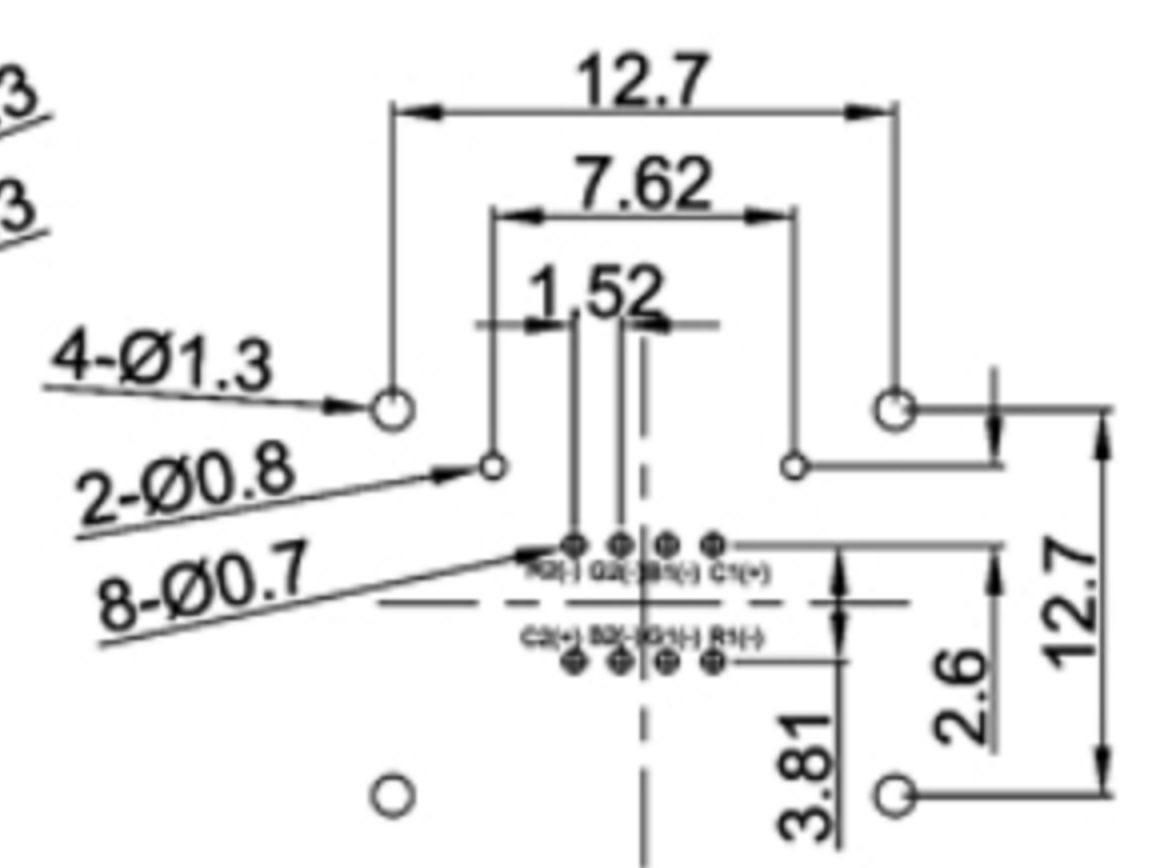
P.C.B. LAYOUT



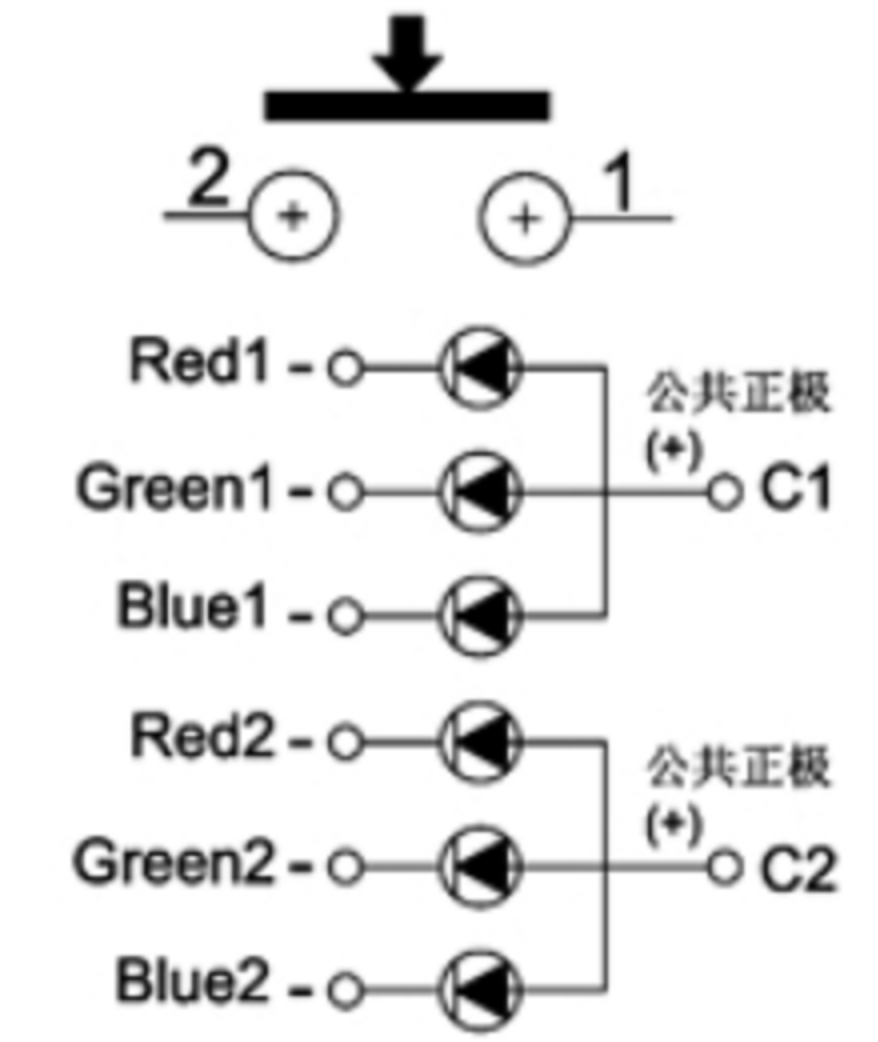
RGB三色灯：



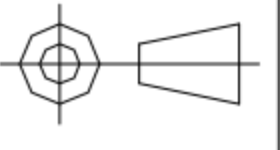
P.C.B. LAYOUT



CIRCUIT



 **广东科斯达电子科技有限公司**
GUANG DONG KE SI DA ELECTRONIC TECHNOLOGY CO., LTD.

TOLERANCE UNLESS OTHERWISE STATED:	Up to 5 ±0.2	Above 5 ~ 15 ±0.3	Above 15 ~ 30 ±0.4	Above 30 ~ 50 ±0.5	Angle ±0.3	3RD. ANGEL'S		UNITS	MM
------------------------------------	--------------	-------------------	--------------------	--------------------	------------	--------------	---	-------	----

DRAWN BY:	DATE	MAT'L	TITLE	SWITCH
Jack Lu	12/27/22		MODLE	TACT SWITCH WITH LED
CHECKED BY:	DATE	SCALE	DWG NO.	
Jacky Chen	12/27/22	1:1	PART NO.	
APPROVED BY:	DATE	SHEET NO.		
Tony Kao	12/27/22	1 of 1		

ITEM NO.	DESCRIPTION	DRAWN	DATE