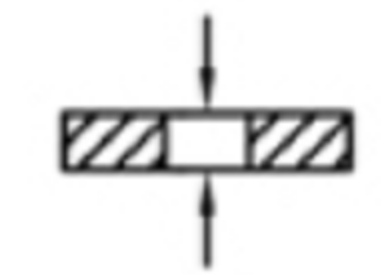
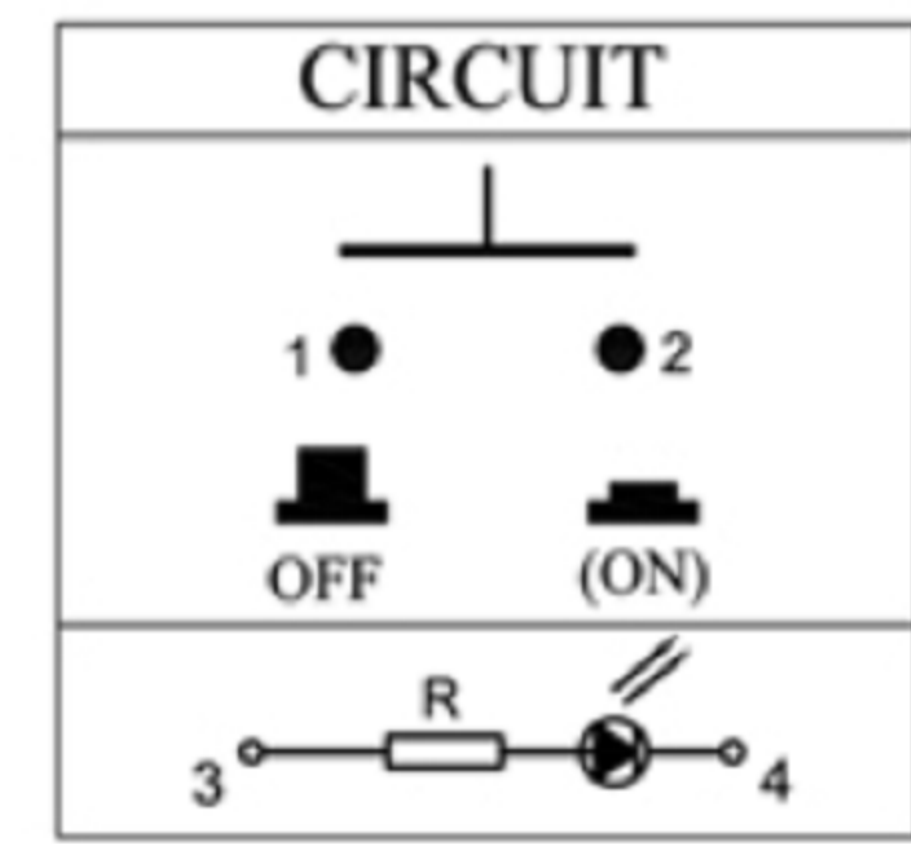


Switch Specifications

Rating: 3A 250VAC/125VAC ;
 3A 30VDC
 Contact Resistance: 50mΩ Max. ;
 Dielectric Strength: 2000VAC For 1 minute ;
 Total Travel: 3± 0.5mm ;
 Operating Force: 450± 150gf ;
 Mechanical Life: 50,000 cycles ;
 Load Life: 10,000 cycles ;
 Operating Temperature: -20° C~70° C ;
 Function: OFF-(ON)



Panel Thickness: 5mm MAX.

LED Specifications

LED 类型	双向LED灯珠 (交直流通用)				
寿命	40000小时 (参考值)				
额定电压	DC3V	DC6V	DC24V	DC36V	AC110V
	DC12V				AC220V
额定电流	约15mA	约15mA	约15mA	约3mA	约3mA
降压方式	LED内集成电阻	采用3V灯, 需在灯端子上接电阻			

	W1	U1	G1	Y1	R1	W	U	G	Y	R
颜色	白色	蓝色	纯绿色	黄色	红色	白色	蓝色	纯绿色	黄色	红色
最小	6.0	6.0	6.0	6.0	6.0	3.0	3.0	3.0	1.8	1.8
一般	7.5	7.5	7.0	7.0	7.0	3.2	3.2	3.2	2.0	2.0
最大	9.5	9.5	8.5	8.5	8.5	3.4	3.4	3.4	2.4	2.4
额定电流 (mA)	15	15	15	15	15	15	15	15	15	15

广东科斯达电子科技有限公司
 GUANG DONG KE SI DA ELECTRONIC TECHNOLOGY CO., LTD.

TOLERANCE UNLESS OTHERWISE STATED:
 Up to 5 ±0.2
 Above 5 ~ 15 ±0.3
 Above 15 ~ 30 ±0.4
 Above 30 ~ 50 ±0.5
 Angle ±0.3

3RD. ANGEL'S

UNITS MM

DRAWN BY:	DATE	MAT'L	TITLE	SWITCH
Jack Lu	12/27/22		MODLE	TACT SWITCH WITH LED
CHECKED BY:	DATE	FINISH	DWG NO.	
Jacky Chen	12/27/22		PART NO.	
APPROVED BY:	DATE	SCALE	SHEET NO.	1 of 1
Tony Kao	12/27/22	1:1		

ITEM NO.	DESCRIPTION	DRAWN	DATE