

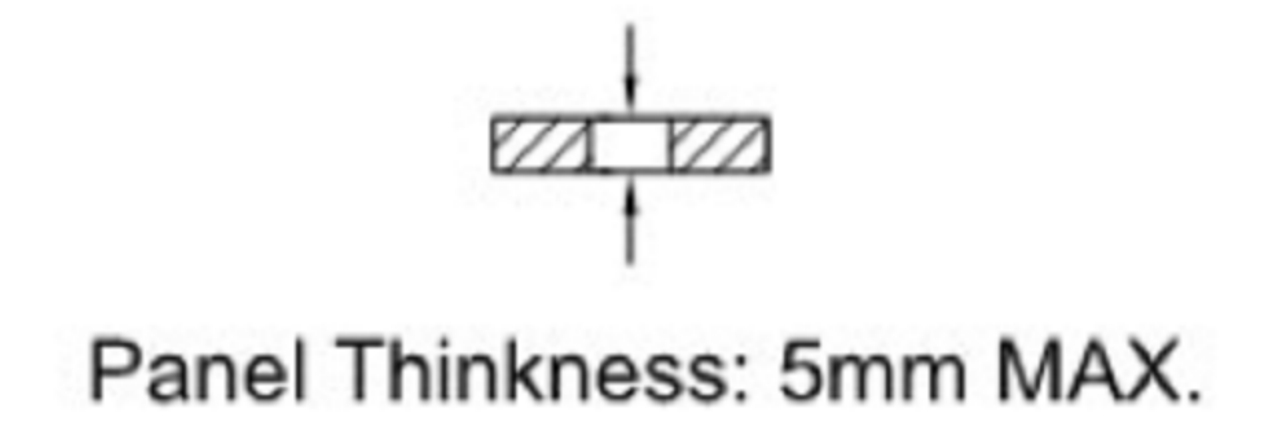
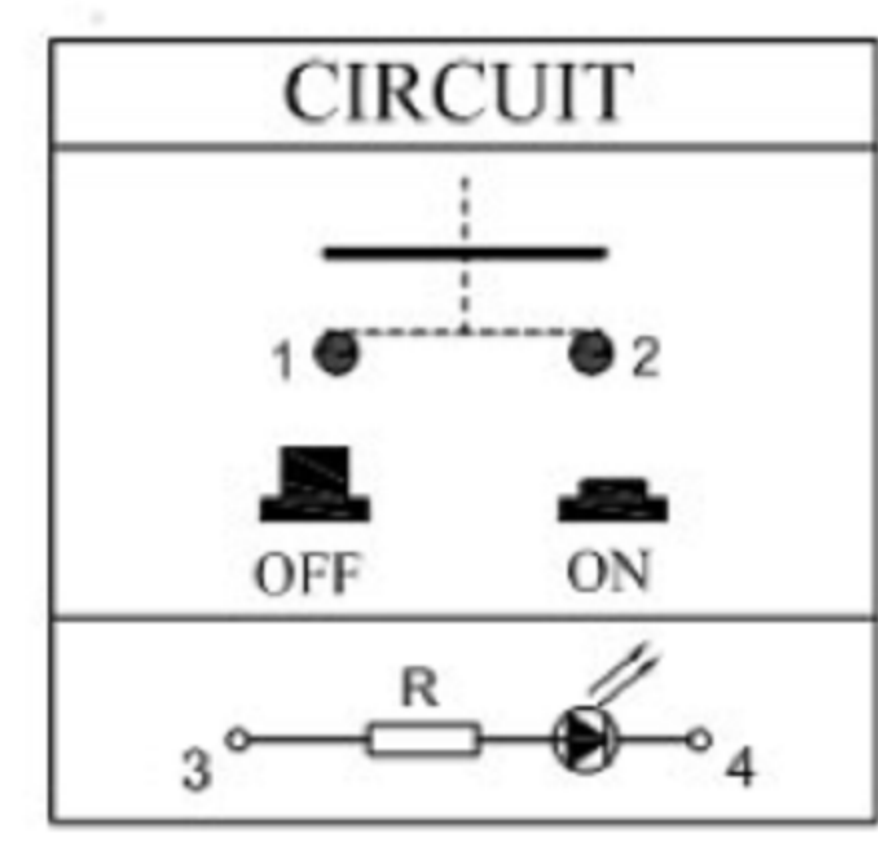
Switch Specifications

Rating: 3A 250VAC/125VAC ;
3A 30VDC

Contact Resistance: 50mΩ Max. ;
Dielectric Strength:2000VAC For 1 minute ;
Total Travel: 3± 0.5mm ;
Operating Force:450± 150gf ;
Mechanical Life:50,000 cycles ;
Load Life:10,000 cycles ;
Operating Temperature:-20° C~70° C ;
Function: OFF-ON

MATERIAL:

Actuator: PC ;
Top Base: PA66, UL rated:94V-0 Min. ;
Buttom Base:PA66, UL rated:94V-0 Min. ;
Terminal: Brass, Silver plated ;
Nut: Brass. Ni plated .



TOLERANCE UNLESS OTHERWISE STATED:	Up to 5 ±0.2	Above 5 ~ 15 ±0.3	Above 15 ~ 30 ±0.4	Above 30 ~ 50 ±0.5	Angle ±0.3	3RD. ANGEL'S	UNITS	MM
------------------------------------	--------------	-------------------	--------------------	--------------------	------------	--------------	-------	----

DRAWN BY:	DATE	MAT'L	TITLE	SWITCH
Jack Lu	12/27/22			
CHECKED BY:	DATE	FINISH	MODLE	TACT SWITCH WITH LED
Jacky Chen	12/27/22			
APPROVED BY:	DATE	SCALE	DWG NO.	
Tony Kao	12/27/22	1 : 1		
ITEM NO.	DESCRIPTION	DRAWN	DATE	SHEET NO.
				1 of 1
			PART NO.	
				SIZE A4
				VER R