

Specifications:

Cat#PBS-11,12,14&16 Rating:1A 250VAC(TUV),3A 125VAC
0.3A 50VDC

Cat#PBS-13B/C Rating:4A 250VAC(TUV),8A 125VAC

Contact Resistance:20mΩ max.(inital)

Insulation Resistance:500VDC 100MΩ min.

Dielectric voltage-withstand:1000VAC for 1 minute

Operation force:600±200 gram

Life cycle:6,000 cycles

Temperature Rang:0° to +85°C

Base:PC

Actuator:POM,optional color

Cover:PC

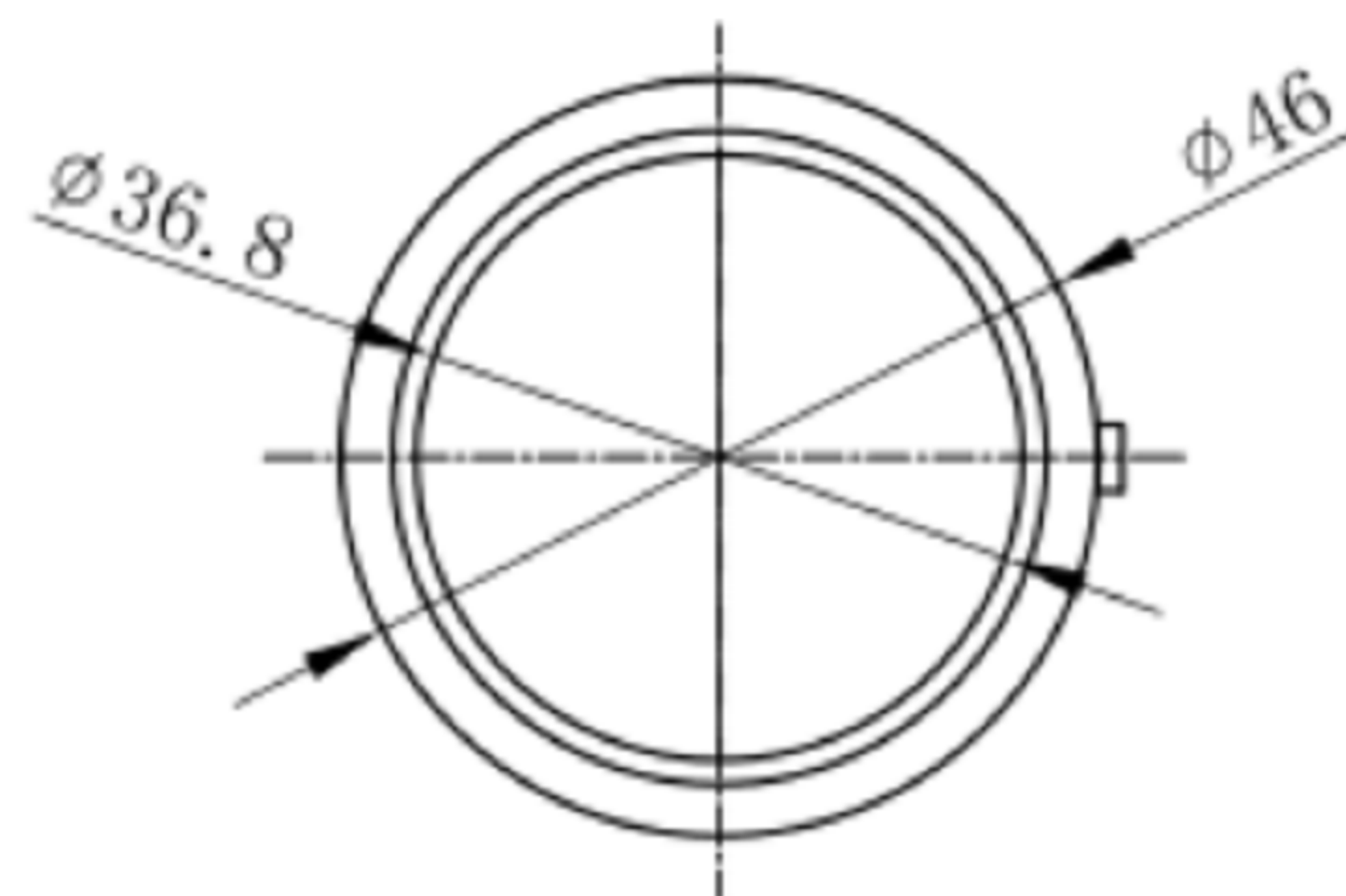
Contact:Silver

Terminal: brass

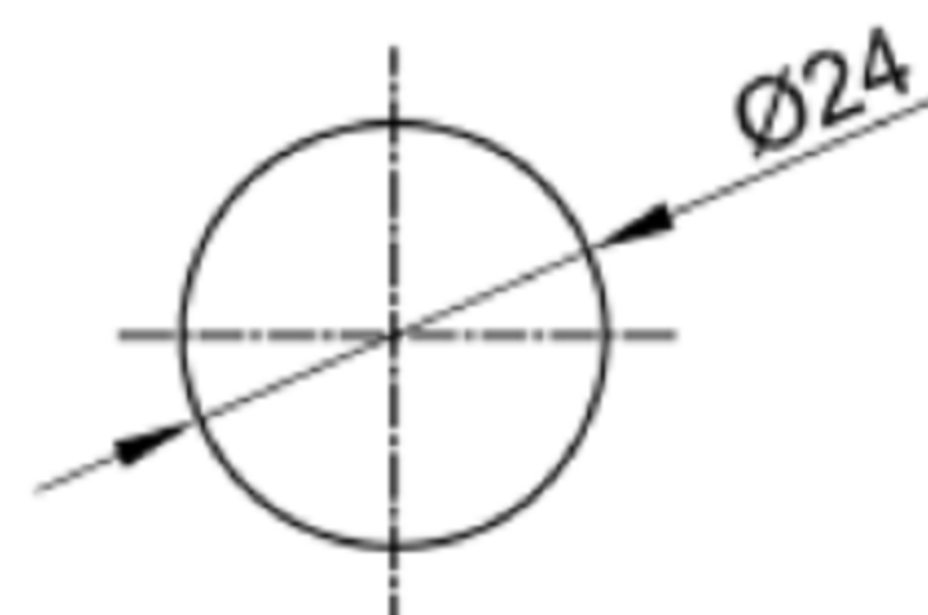
Washer:steel

Nut:Steel

Switching function:on-off,off-momentary on,or on-momentary off



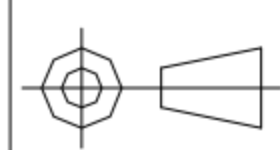
MOUNTING HOLE



广东科斯达电子科技有限公司
GUANG DONG KE SI DA ELECTRONIC TECHNOLOGY CO., LTD.

TOLERANCE UNLESS OTHERWISE STATED:
Up to 5 ±0.2
Above 5 ~ 15 ±0.3
Above 15 ~ 30 ±0.4
Above 30 ~ 50 ±0.5
Angle ±0.3

3RD.
ANGEL'S



UNITS

MM

DRAWN BY: DATE

Jack Lu 12/27/22

CHECKED BY: DATE

Jacky Chen 12/27/22

APPROVED BY: DATE

Tony Kao 12/27/22

MAT'L

FINISH

SCALE

SHEET NO.

TITLE SWITCH

MODLE TACT SWITCH WITH LED

DWG NO.

PART NO.

SIZE
A4
VER
R

ITEM NO.	DESCRIPTION	DRAWN	DATE