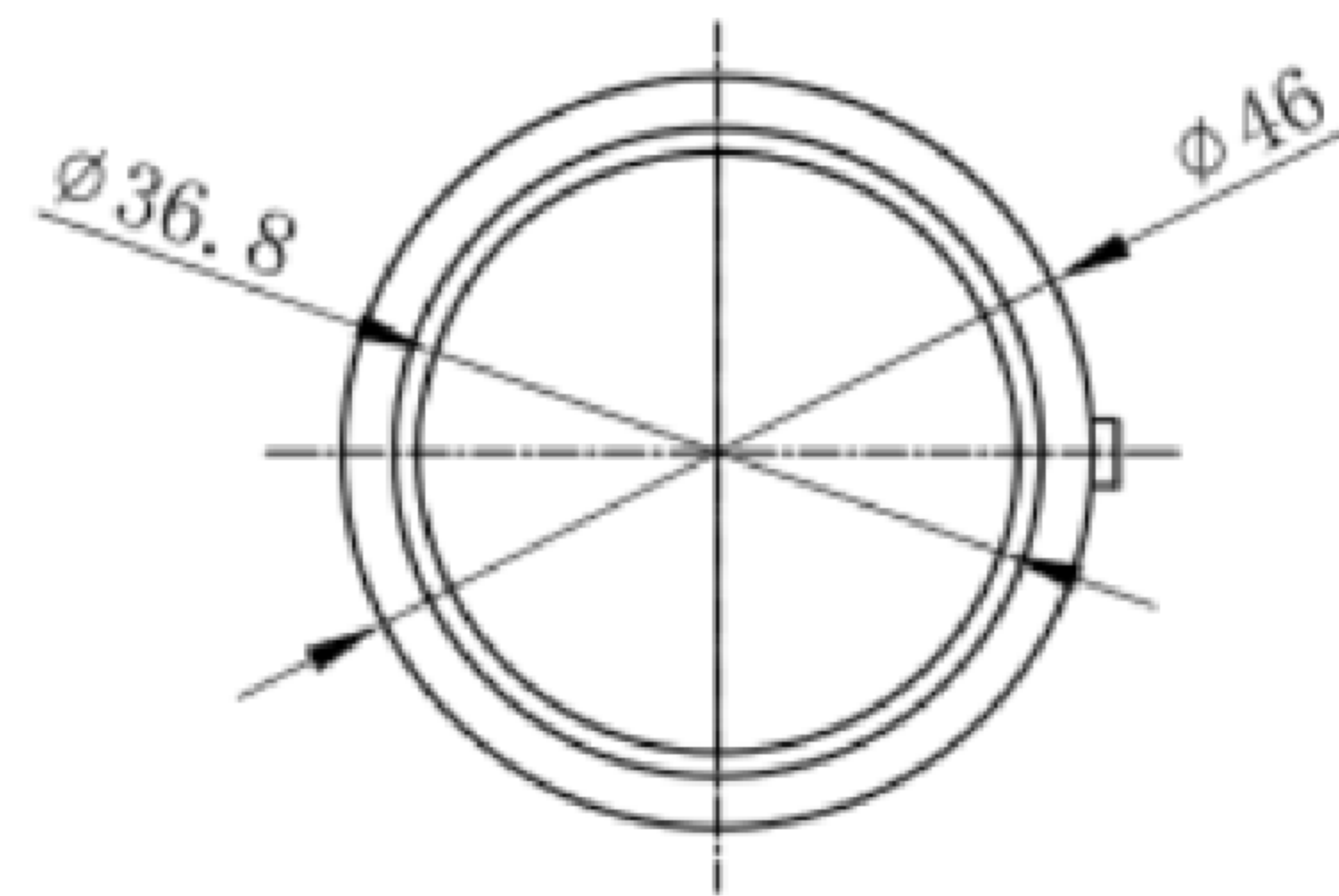
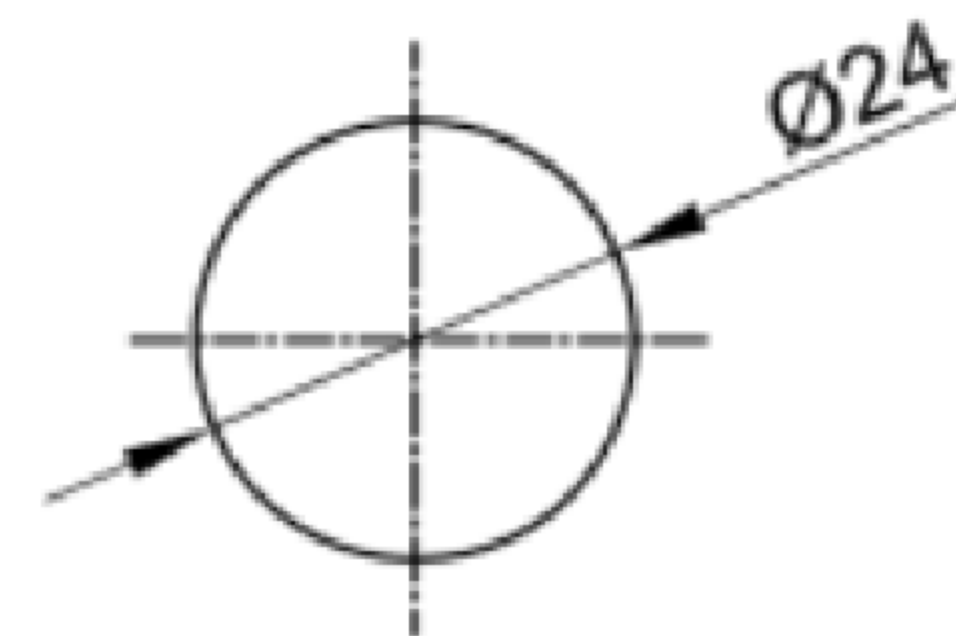


Specifications:

Cat#PBS-11,12,14&16 Rating:1A 250VAC(TUV),3A 125VAC
0.3A 50VDC
Cat#PBS-13B/C Rating:4A 250VAC(TUV),8A 125VAC
Contact Resistance:20mΩ max.(inital)
Insulation Resistance:500VDC 100MΩ min.
Dielectric voltage-withstand:1000VAC for 1 minute
Operation force:600±200 gram
Life cycle:6,000 cycles
Temperature Rang:0° to +85°C
Base:PC
Actuator:POM,optional color
Cover:PC
Contact:Silver
Terminal: brass
Washer:steel
Nut:Steel
Switching function:on-off,off-momentary on,or on-momentary off



MOUNTING HOLE



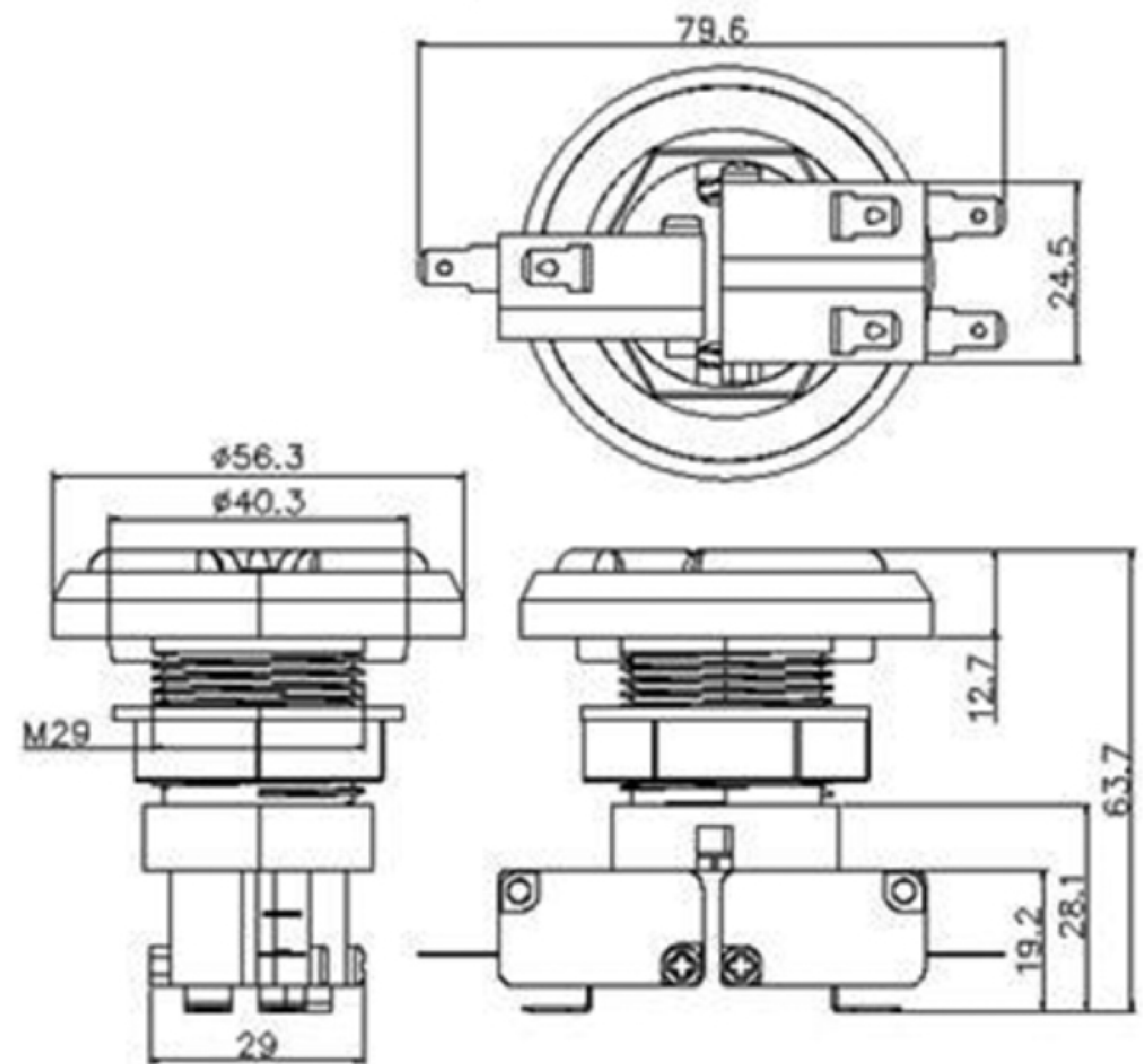
 **广东科斯达电子科技有限公司**
GUANG DONG KE SI DA ELECTRONIC TECHNOLOGY CO., LTD.

TOLERANCE UNLESS OTHERWISE STATED:
Up to 5 ±0.2
Above 5 ~ 15 ±0.3
Above 15 ~ 30 ±0.4
Above 30 ~ 50 ±0.5
Angle ±0.3

3RD. ANGEL'S

UNITS MM

DRAWN BY:	DATE	MAT'L	TITLE	SWITCH
Jack Lu	12/27/22			
CHECKED BY:	DATE	FINISH	MODLE	TACT SWITCH WITH LED
Jacky Chen	12/27/22			
APPROVED BY:	DATE	SCALE	DWG NO.	SIZE
Tony Kao	12/27/22	1 : 1		A4
		SHEET NO.	PART NO.	VER
		1 of 1		R

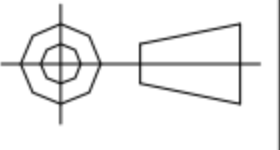


Specifications:

Cat#PBS-11,12,14&16 Rating:1A 250VAC(TUV),3A 125VAC
0.3A 50VDC
Cat#PBS-13B/C Rating:4A 250VAC(TUV),8A 125VAC
Contact Resistance:20mΩ max.(inital)
Insu;ation Resistance:500VDC 100MΩ min.
Dielectric voltage-withstand:1000VAC for 1 minute
Operation force:600±200 gram
Life cycle:6,000 cycles
Temperature Rang:0° to +85°C
Base:PC
Actuator:POM,optional color
Cover:PC
Contact:Silver
Terminal: brass
Washer:steel
Nut:Steel
Switching function:on-off,off-momentary on,or on-momentary off



 **广东科斯达电子科技有限公司**
GUANG DONG KE SI DA ELECTRONIC TECHNOLOGY CO., LTD.

TOLERANCE UNLESS OTHERWISE STATED:	Up to 5 ±0.2	Above 5 ~ 15 ±0.3	Above 15 ~ 30 ±0.4	Above 30 ~ 50 ±0.5	Angle ±0.3	3RD. ANGEL'S		UNITS	MM
------------------------------------	--------------	-------------------	--------------------	--------------------	------------	--------------	---	-------	----

DRAWN BY:	DATE	MAT'L	TITLE	SWITCH
Jack Lu	12/27/22			
CHECKED BY:	DATE	FINISH	MODLE	TACT SWITCH WITH LED
Jacky Chen	12/27/22			
APPROVED BY:	DATE	SCALE	DWG NO.	
Tony Kao	12/27/22	1 : 1		
		SHEET NO.	PART NO.	
		1 of 1		

ITEM NO.	DESCRIPTION	DRAWN	DATE