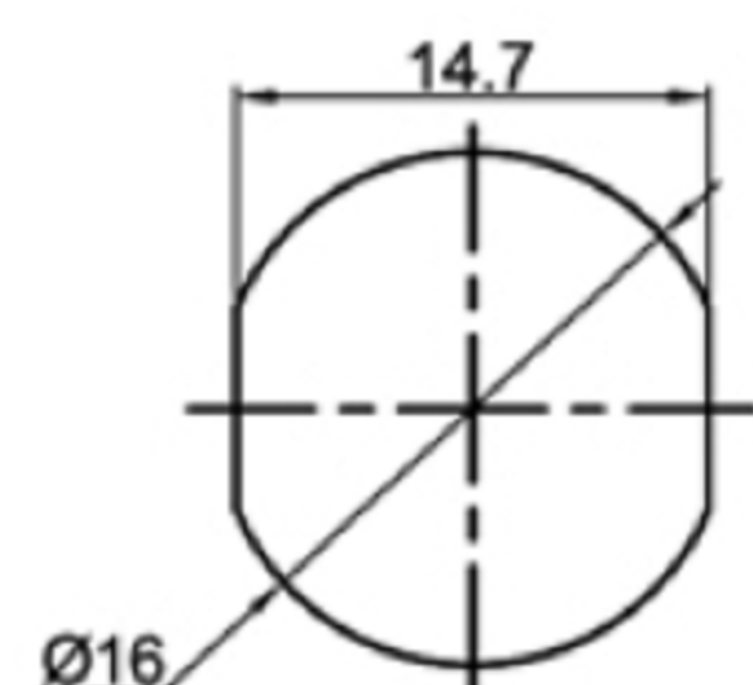
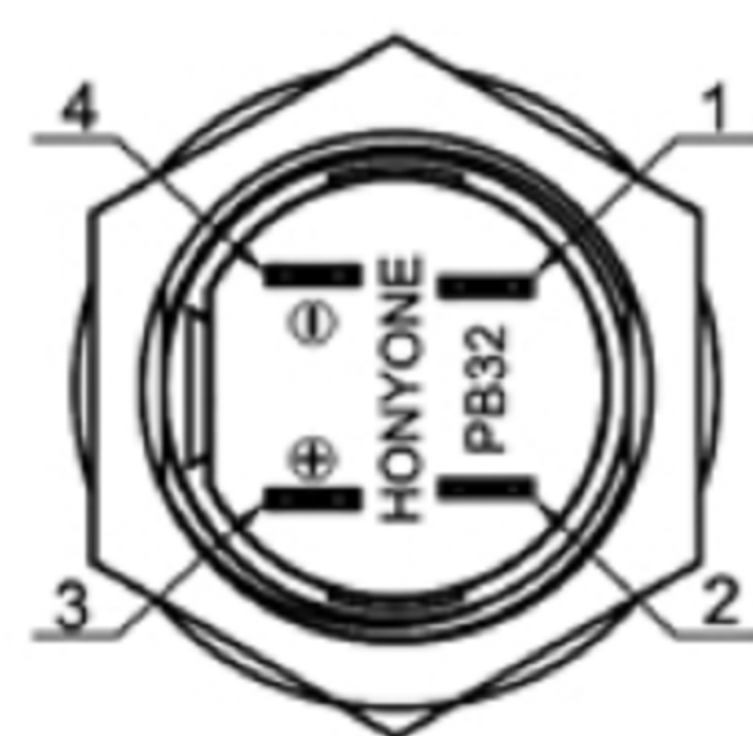
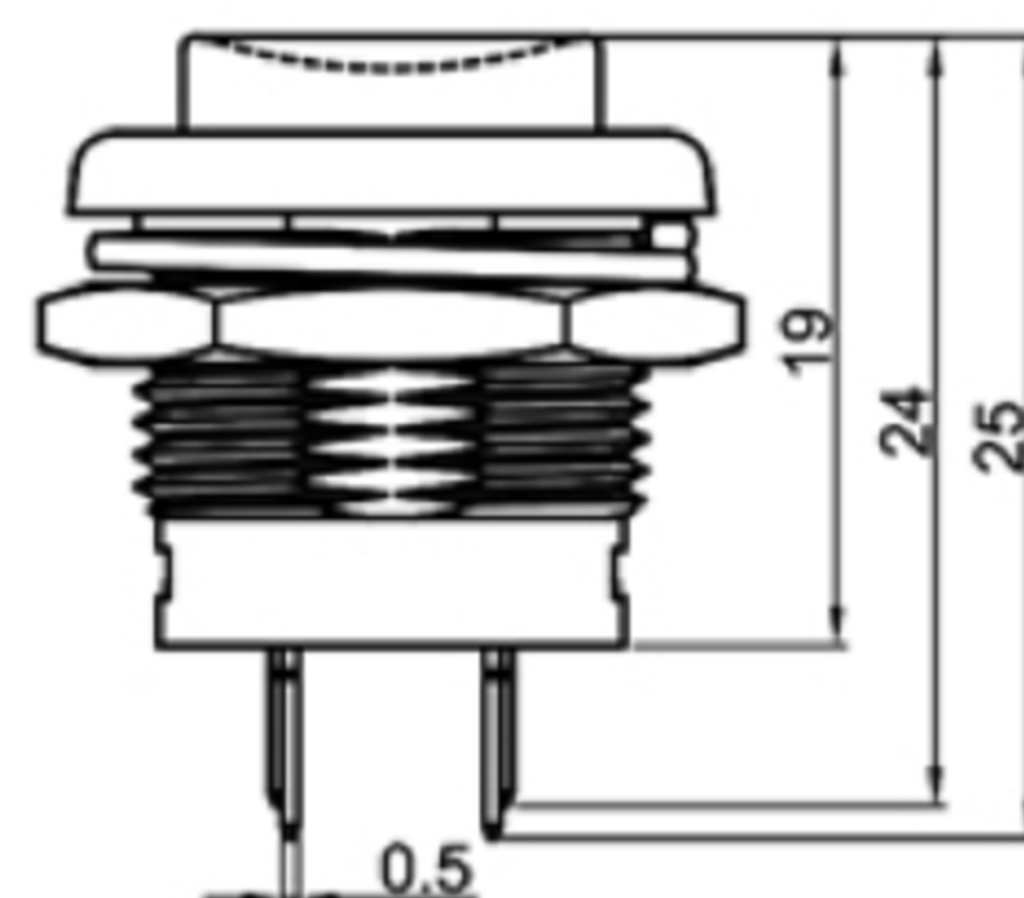
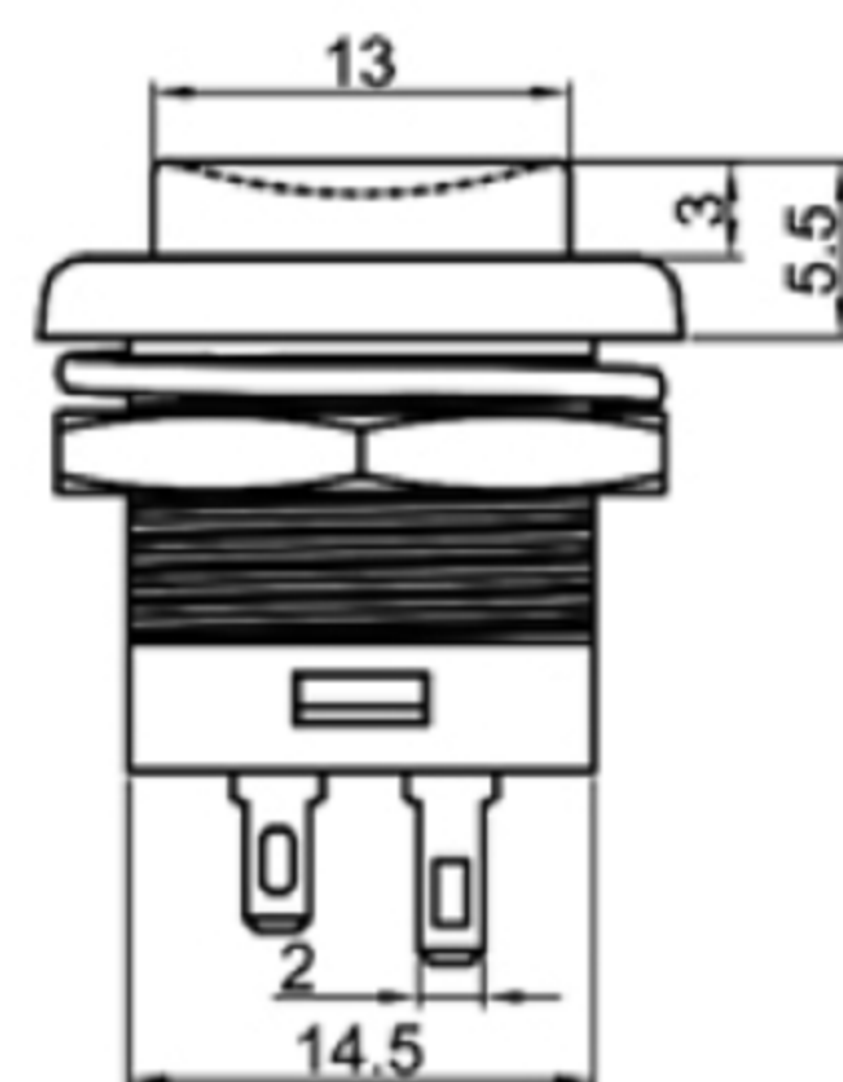


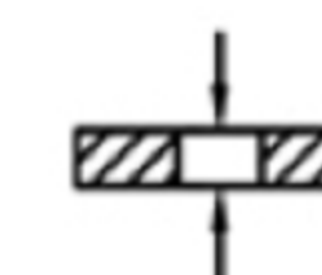
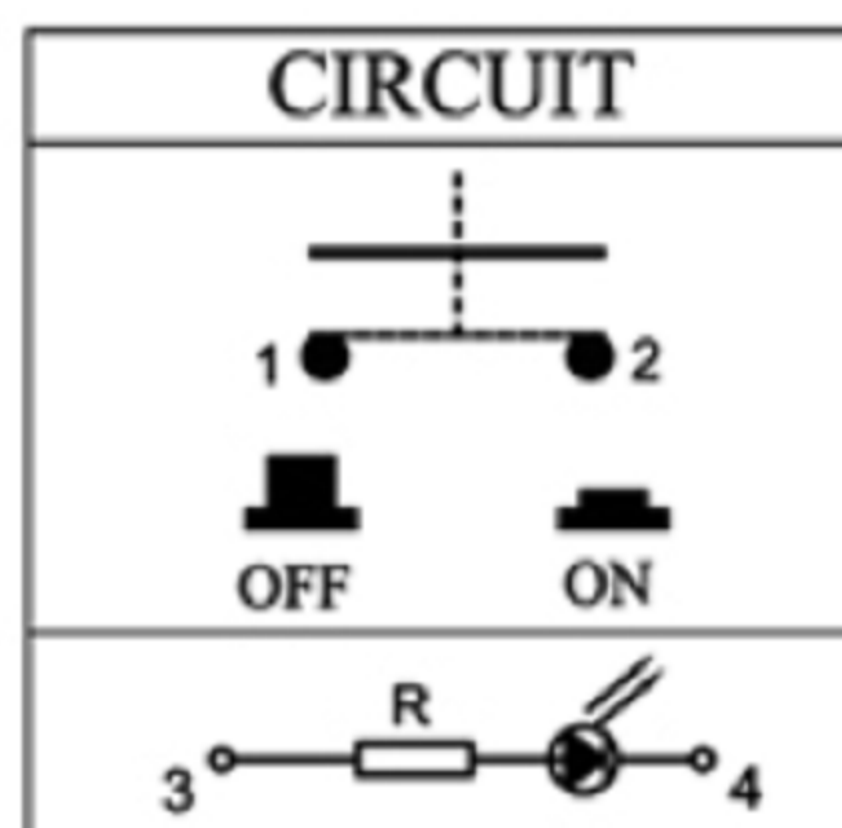
Switch Specifications

Rating: 3A 250VAC/125VAC ;
3A 30VDC

Contact Resistance: 50mΩ Max. ;
Dielectric Strength: 2000VAC For 1 minute ;
Total Travel: 3± 0.5mm ;
Operating Force: 450± 150gf ;
Mechanical Life: 50,000 cycles ;
Load Life: 10,000 cycles ;
Operating Temperature: -20° C ~ 70° C ;
Function: OFF-ON



CUT-OUT



Panel Thickness: 5mm MAX.

LED Specifications

LED 类型	双向LED灯珠 (交直流通用)					U	W	G	Y	R
寿命	40000小时 (参考值)					U	W	G	Y	R
额定电压	DC3V	DC6V	DC24V	DC36V	AC110V	U	W	G	Y	R
	DC12V				AC220V					
额定电流	约15mA		约15mA		约3mA	灯发光颜色 X	最小	一般	最大	额定电流 (mA)
降压方式	LED内集成电阻		采用3V灯, 需在灯端子上接电阻			Emitted color X	顺向电压(V)			

W1	白色	6.0	7.5	9.5	15
U1	蓝色	6.0	7.5	9.5	15
G1	纯绿色	6.0	7.0	8.5	15
Y1	黄色	6.0	7.0	8.5	15
R1	红色	6.0	7.0	8.5	15
W	白色	3.0	3.2	3.4	15
U	蓝色	3.0	3.2	3.4	15
G	纯绿色	3.0	3.2	3.4	15
Y	黄色	1.8	2.0	2.4	15
R	红色	1.8	2.0	2.4	15

广东科斯达电子科技有限公司
GUANG DONG KE SI DA ELECTRONIC TECHNOLOGY CO., LTD.

TOLERANCE UNLESS OTHERWISE STATED:
Up to 5 ±0.2
Above 5 ~ 15 ±0.3
Above 15 ~ 30 ±0.4
Above 30 ~ 50 ±0.5
Angle ±0.3

3RD. ANGEL'S

UNITS MM

DRAWN BY:	DATE	MAT'L	TITLE	SWITCH
Jack Lu	12/27/22			
CHECKED BY:	DATE	FINISH	MODLE	TACT SWITCH WITH LED
Jacky Chen	12/27/22			
APPROVED BY:	DATE	SCALE	DWG NO.	SIZE
Tony Kao	12/27/22	1:1		A4
		SHEET NO.	PART NO.	VER
		1 of 1		R