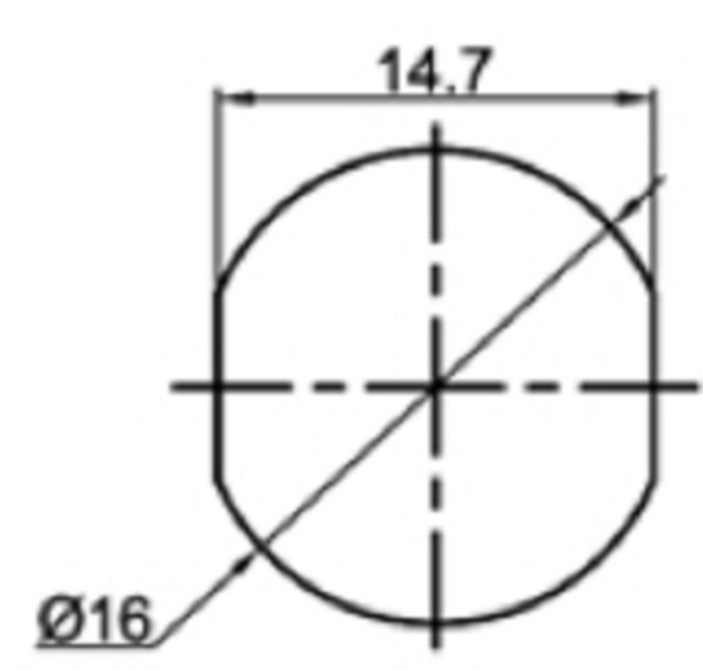
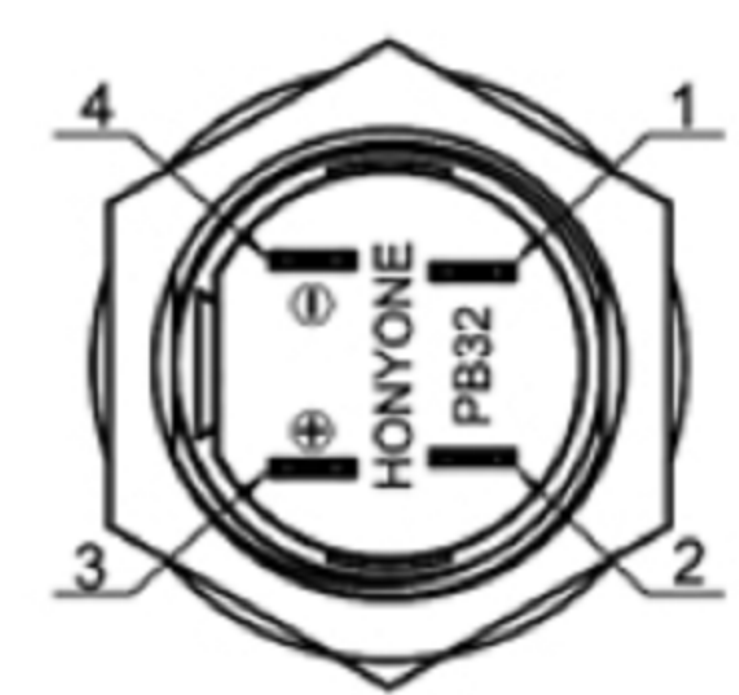
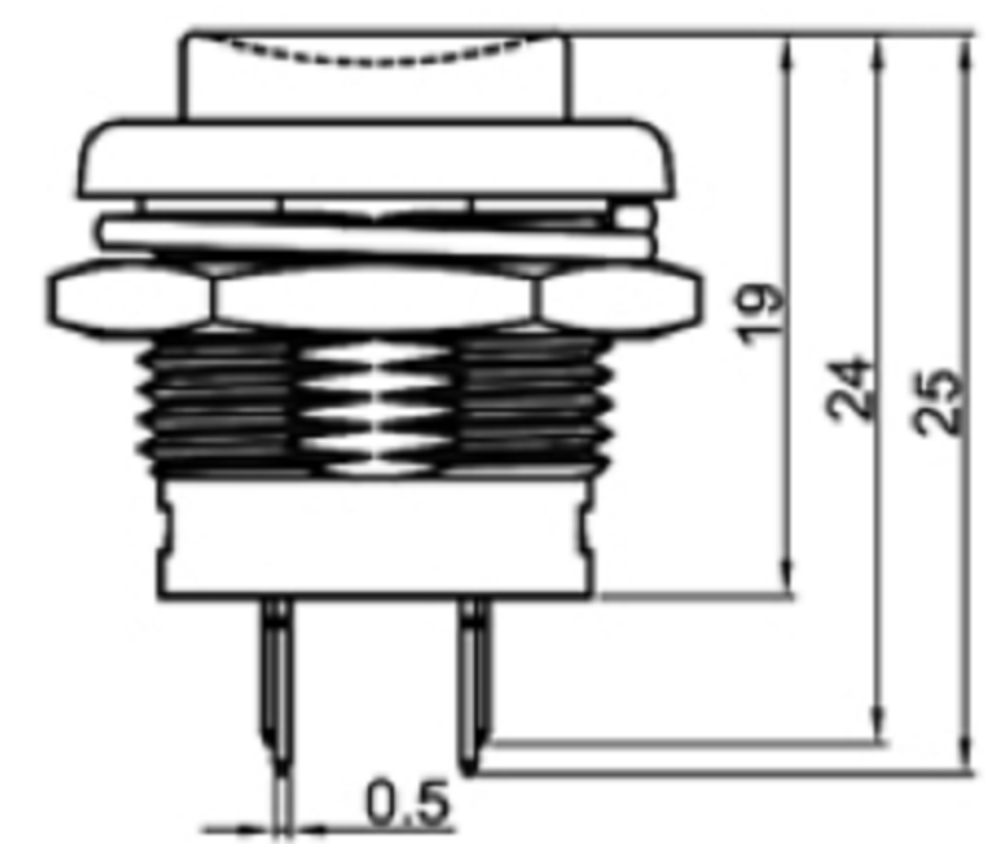
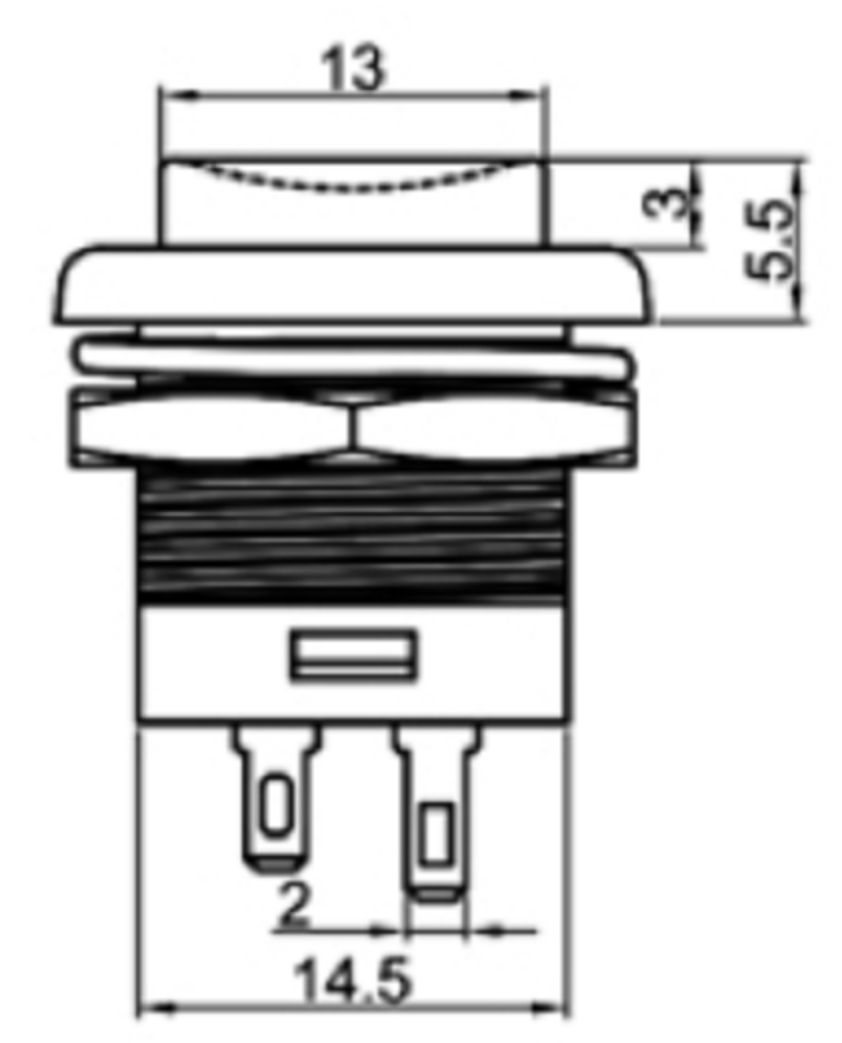


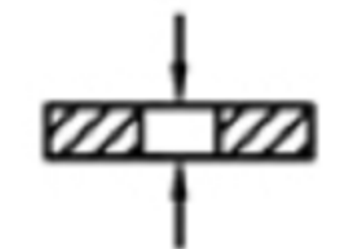
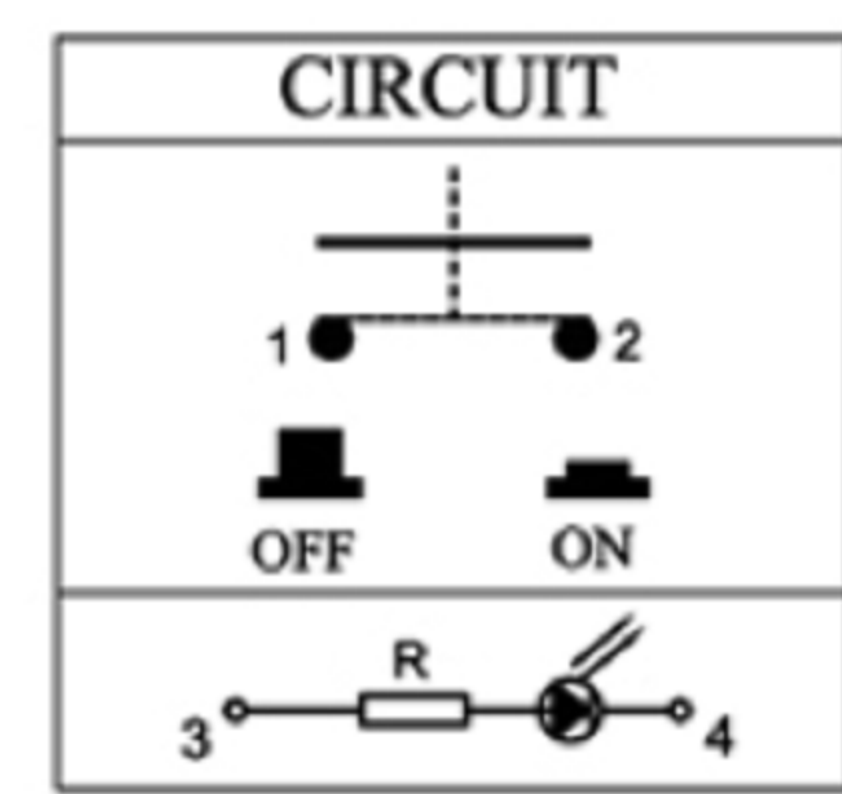
**Switch Specifications**

Rating: 3A 250VAC/125VAC ;  
3A 30VDC

Contact Resistance: 50mΩ Max. ;  
Dielectric Strength: 2000VAC For 1 minute ;  
Total Travel: 3± 0.5mm ;  
Operating Force: 450± 150gf ;  
Mechanical Life: 50,000 cycles ;  
Load Life: 10,000 cycles ;  
Operating Temperature: -20° C ~ 70° C ;  
Function: OFF-ON



**CUT-OUT**



Panel Thickness: 5mm MAX.

**LED Specifications**

W1	白色	6.0	7.5	9.5	15
U1	蓝色	6.0	7.5	9.5	15
G1	纯绿色	6.0	7.0	8.5	15
Y1	黄色	6.0	7.0	8.5	15
R1	红色	6.0	7.0	8.5	15
W	白色	3.0	3.2	3.4	15
U	蓝色	3.0	3.2	3.4	15
G	纯绿色	3.0	3.2	3.4	15
Y	黄色	1.8	2.0	2.4	15
R	红色	1.8	2.0	2.4	15

LED 类型	双向LED灯珠 (交直流通用)				
寿命	40000小时 (参考值)				
额定电压	DC3V	DC6V	DC24V	DC36V	AC110V
	DC12V				AC220V
额定电流	约15mA		约15mA		约3mA
灯发光颜色 X	最小	一般	最大	额定电流 (mA)	
Emitted color X	顺向电压 (V)			降压方式	
	LED内集成电阻	采用3V灯, 需在灯端子上接电阻			

**广东科斯达电子科技有限公司**  
GUANG DONG KE SI DA ELECTRONIC TECHNOLOGY CO., LTD.

TOLERANCE UNLESS OTHERWISE STATED:	Up to 5 ±0.2	Above 5 ~ 15 ±0.3	Above 15 ~ 30 ±0.4	Above 30 ~ 50 ±0.5	Angle ±0.3	3RD. ANGEL'S	UNITS	MM
------------------------------------	--------------	-------------------	--------------------	--------------------	------------	--------------	-------	----

DRAWN BY:	DATE	MAT'L	TITLE	SWITCH
Jack Lu	12/27/22		MODLE	TACT SWITCH WITH LED
CHECKED BY:	DATE	FINISH	DWG NO.	
Jacky Chen	12/27/22		PART NO.	
APPROVED BY:	DATE	SCALE	1:1	
Tony Kao	12/27/22	SHEET NO.	1 of 1	

ITEM NO.	DESCRIPTION	DRAWN	DATE