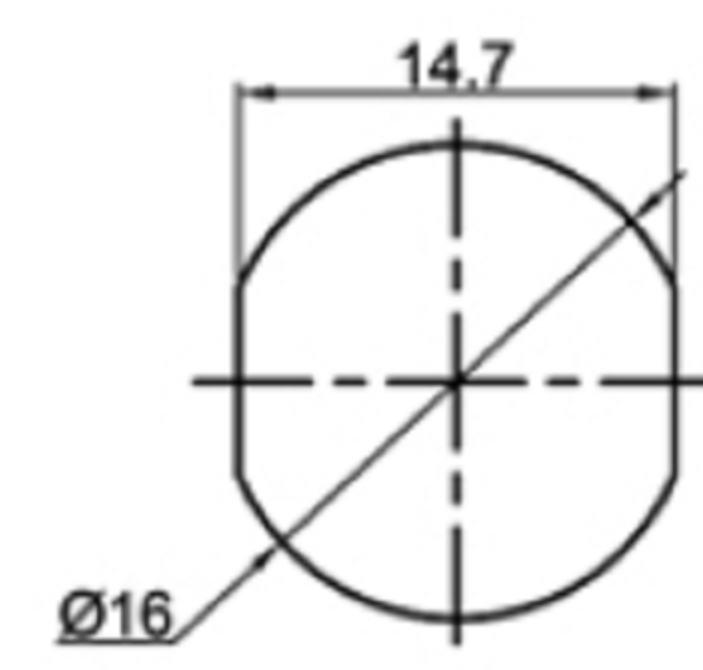
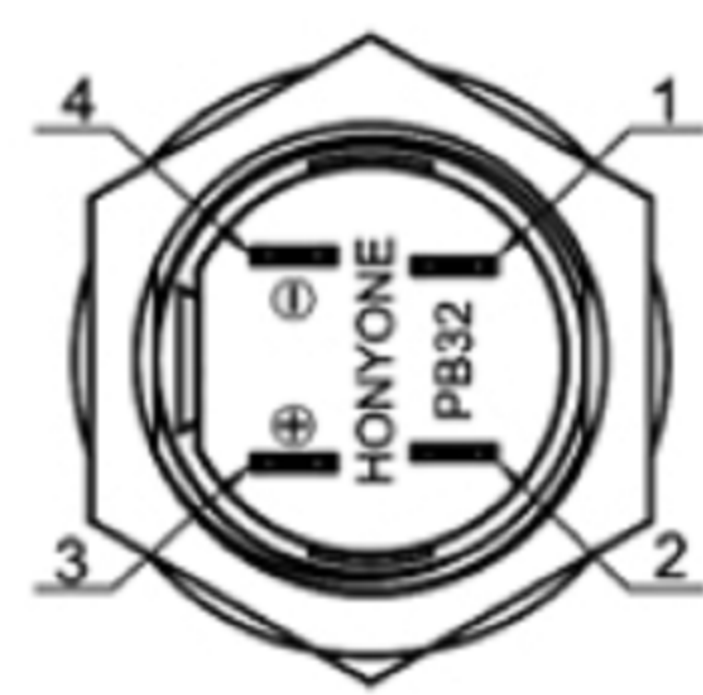
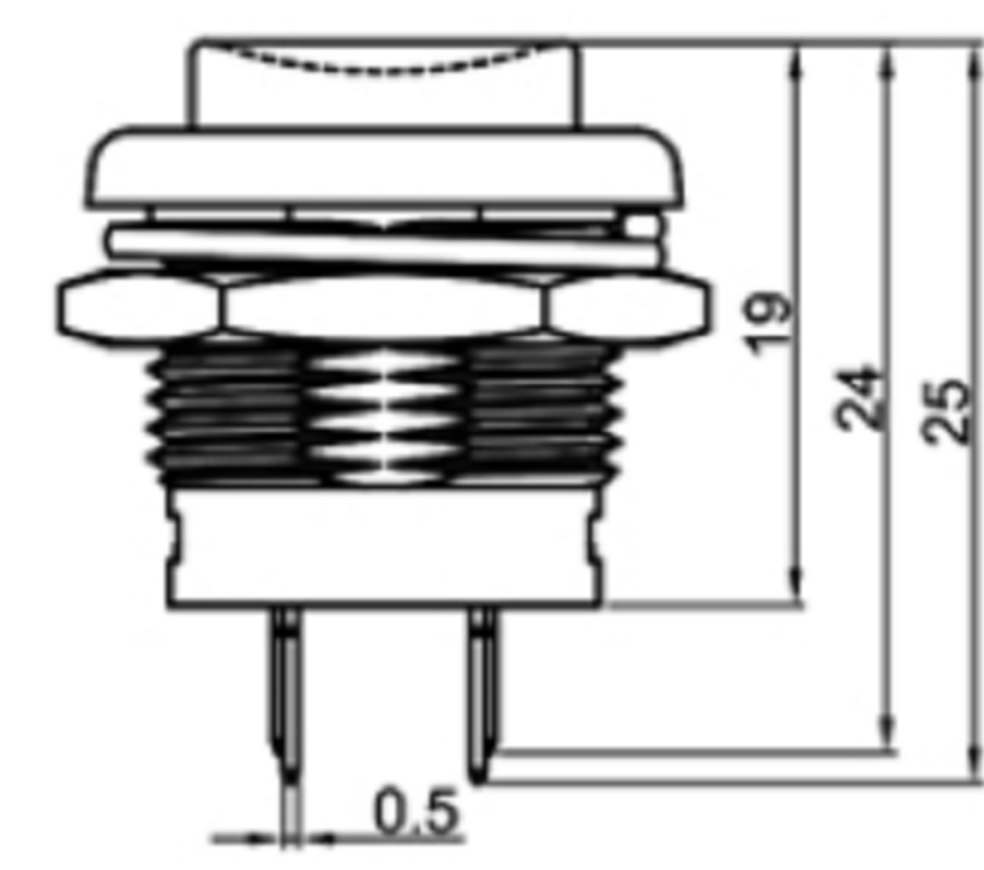
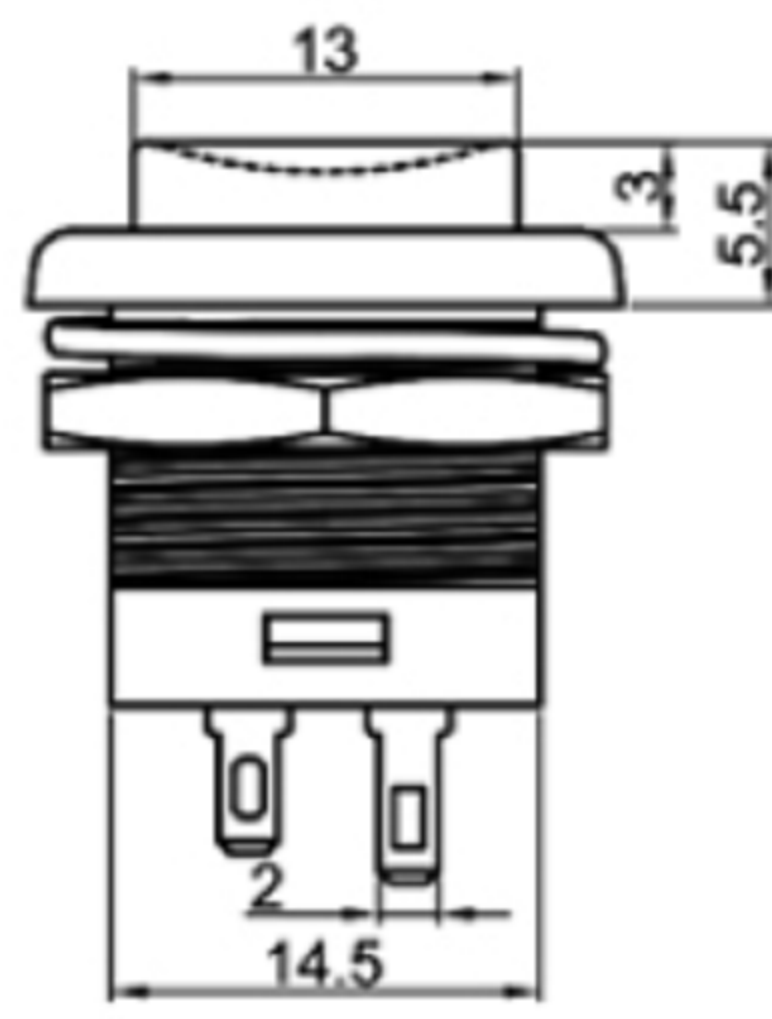


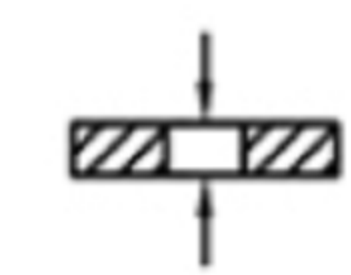
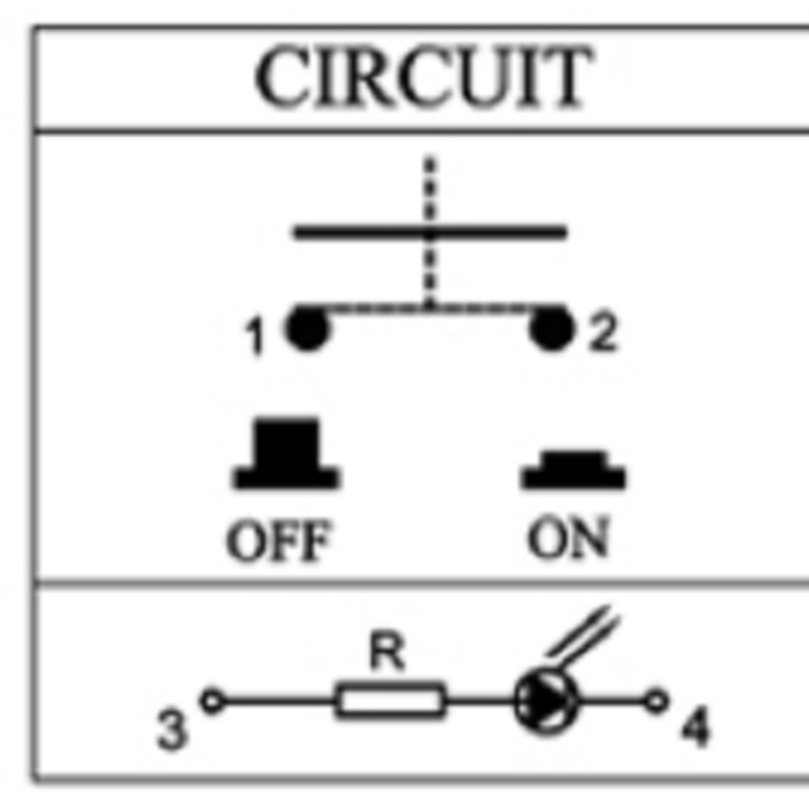
**Switch Specifications**

Rating: 3A 250VAC/125VAC ;  
3A 30VDC

Contact Resistance: 50mΩ Max. ;  
Dielectric Strength: 2000VAC For 1 minute ;  
Total Travel: 3± 0.5mm ;  
Operating Force: 450± 150gf ;  
Mechanical Life: 50,000 cycles ;  
Load Life: 10,000 cycles ;  
Operating Temperature: -20° C ~ 70° C ;  
Function: OFF-ON



**CUT-OUT**



Panel Thickness: 5mm MAX.

**LED Specifications**

LED 类型	双向LED灯珠 (交直流通用)					U	蓝色	3.0	3.2	3.4	15	
寿命	40000小时 (参考值)					G	纯绿色	3.0	3.2	3.4	15	
额定电压	DC3V	DC6V	DC24V	DC36V	AC110V	Y	黄色	1.8	2.0	2.4	15	
	DC12V				AC220V	R	红色	1.8	2.0	2.4	15	
额定电流	约15mA		约15mA		约3mA	灯发光颜色 X			最小	一般	最大	额定 电流 (mA)
降压方式	LED内集成电阻		采用3V灯, 需在灯端子上接电阻		Emitted color X			顺向电压(V)				

W1	白色	6.0	7.5	9.5	15
U1	蓝色	6.0	7.5	9.5	15
G1	纯绿色	6.0	7.0	8.5	15
Y1	黄色	6.0	7.0	8.5	15
R1	红色	6.0	7.0	8.5	15
W	白色	3.0	3.2	3.4	15

**广东科斯达电子科技有限公司**  
GUANG DONG KE SI DA ELECTRONIC TECHNOLOGY CO., LTD.

TOLERANCE UNLESS OTHERWISE STATED: Up to 5 ±0.2, Above 5 ~ 15 ±0.3, Above 15 ~ 30 ±0.4, Above 30 ~ 50 ±0.5, Angle ±0.3

3RD. ANGEL'S

UNITS MM

DRAWN BY:	DATE	MAT'L	TITLE	SWITCH
Jack Lu	12/27/22			
CHECKED BY:	DATE	FINISH	MODLE	TACT SWITCH WITH LED
Jacky Chen	12/27/22			
APPROVED BY:	DATE	SCALE	DWG NO.	
Tony Kao	12/27/22	1 : 1		
		SHEET NO.	PART NO.	
		1 of 1		

ITEM NO.	DESCRIPTION	DRAWN	DATE