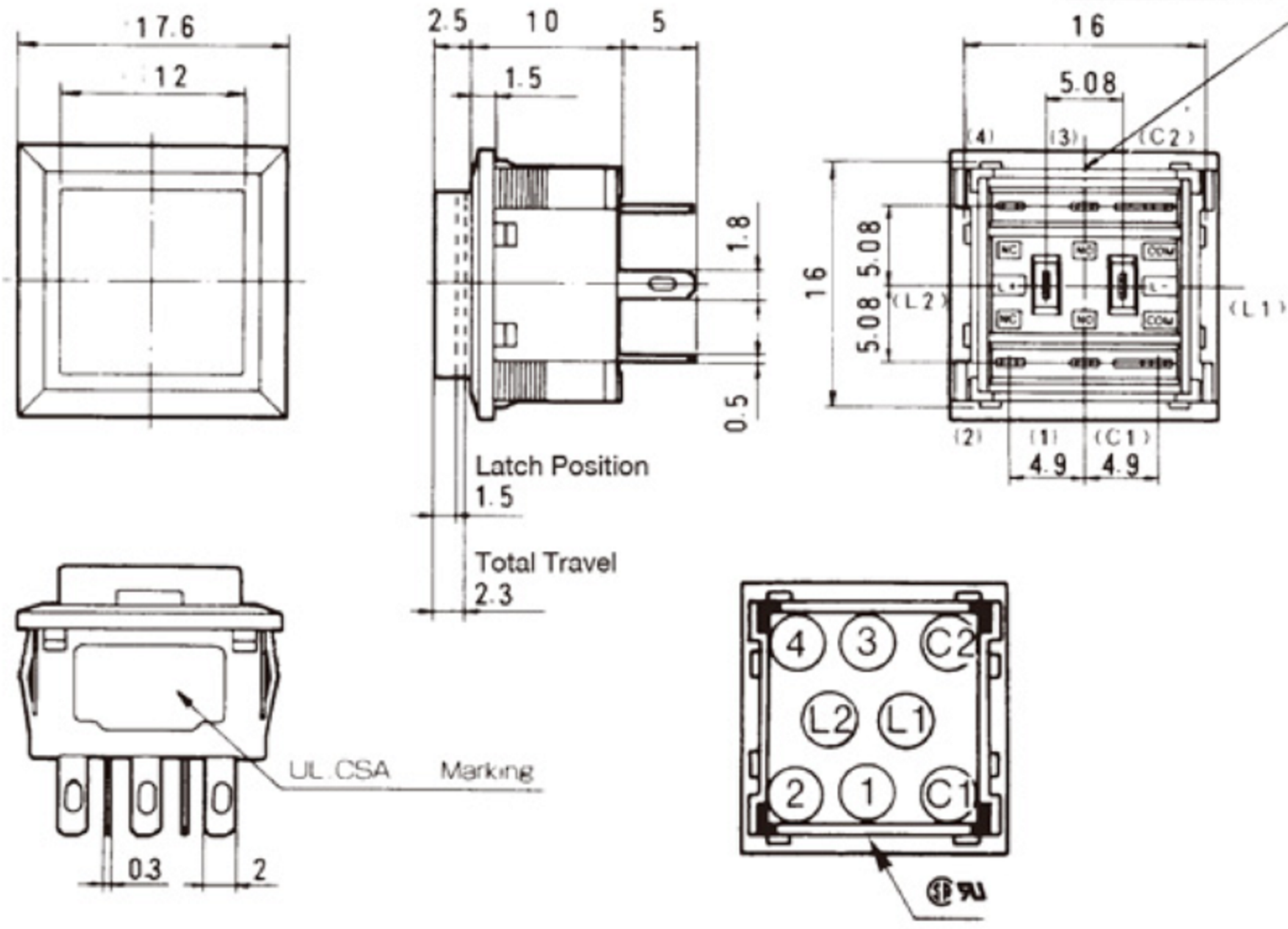
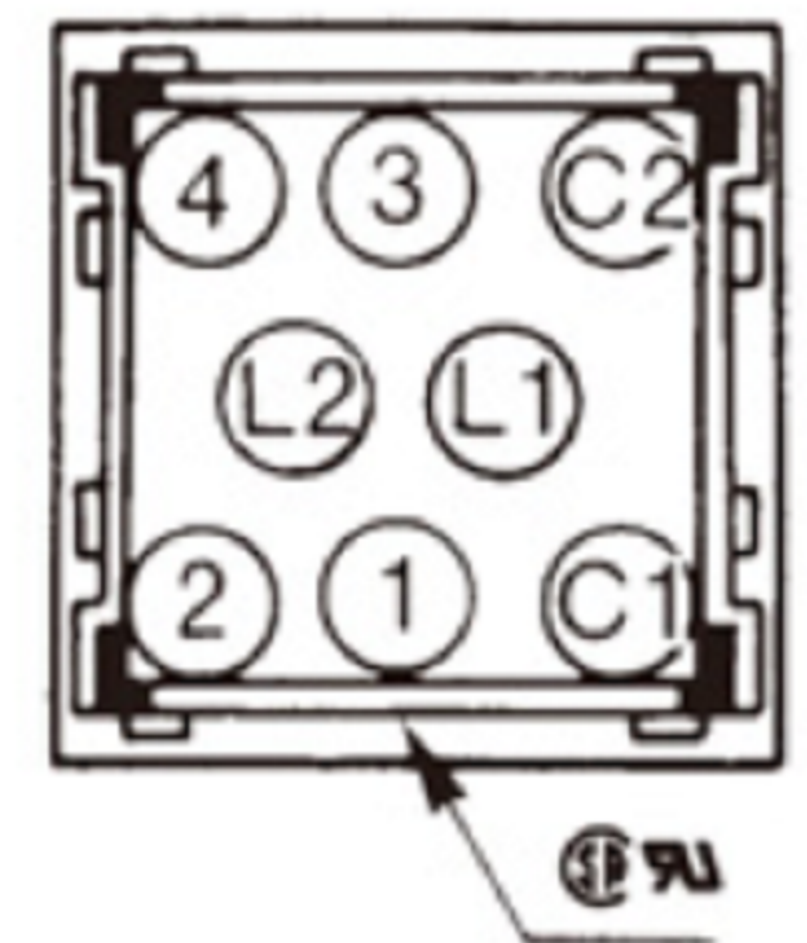




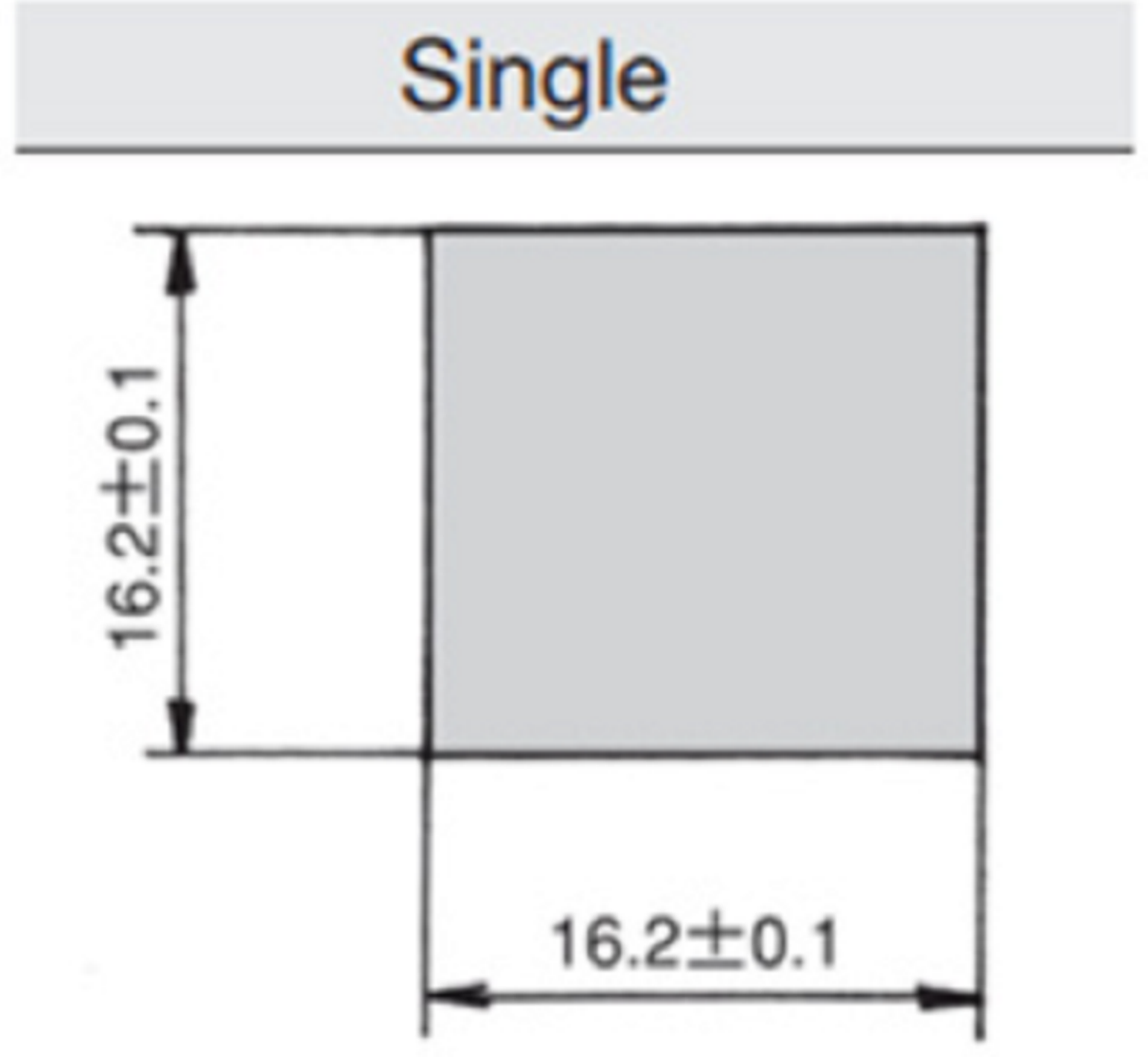
Part No. & Rating
FUJISOKU JAPAN
Lot No. Marking



Part No.	Switching function	
LP2S-16G-■■■-Z	ON	(ON)
Connected Terminals	(C1) - (2)	(C1) - (1)
LED circuit		
LP2S-26G-■■■-Z	ON	(ON)
LP2S-27G-■■■-Z	ON	ON
Connected Terminals	(C1) - (2) (C2) - (4)	(C1) - (1) (C2) - (3)
LED circuit		



Type	LED Q'ty	Internal LED wiring
LP1S LP2S	Single	



广东科斯达电子科技有限公司
GUANG DONG KE SI DA ELECTRONIC TECHNOLOGY CO., LTD.

TOLERANCE UNLESS OTHERWISE STATED:
Up to 5 ±0.2
Above 5 ~ 15 ±0.3
Above 15 ~ 30 ±0.4
Above 30 ~ 50 ±0.5
Angle ±0.3

3RD. ANGEL'S

UNITS MM

DRAWN BY:	DATE	MAT'L	TITLE	SWITCH
Jack Lu	12/27/22		MODLE	TACT SWITCH WITH LED
CHECKED BY:	DATE	FINISH	DWG NO.	
Jacky Chen	12/27/22		SHEET NO.	1 of 1
APPROVED BY:	DATE	SCALE	PART NO.	
Tony Kao	12/27/22	1 : 1		

ITEM NO.	DESCRIPTION	DRAWN	DATE