

### Specifications:

Cat#PBS-11,12,14&16 Rating:1A 250VAC(TUV),3A 125VAC  
0.3A 50VDC

Cat#PBS-13B/C Rating:4A 250VAC(TUV),8A 125VAC

Contact Resistance:20mΩ max.(inital)

Insulation Resistance:500VDC 100MΩ min.

Dielectric voltage-withstand:1000VAC for 1 minute

Operation force:600±200 gram

Life cycle:6,000 cycles

Temperature Rang:0° to +85°C

Base:PC

Actuator:POM,optional color

Cover:PC

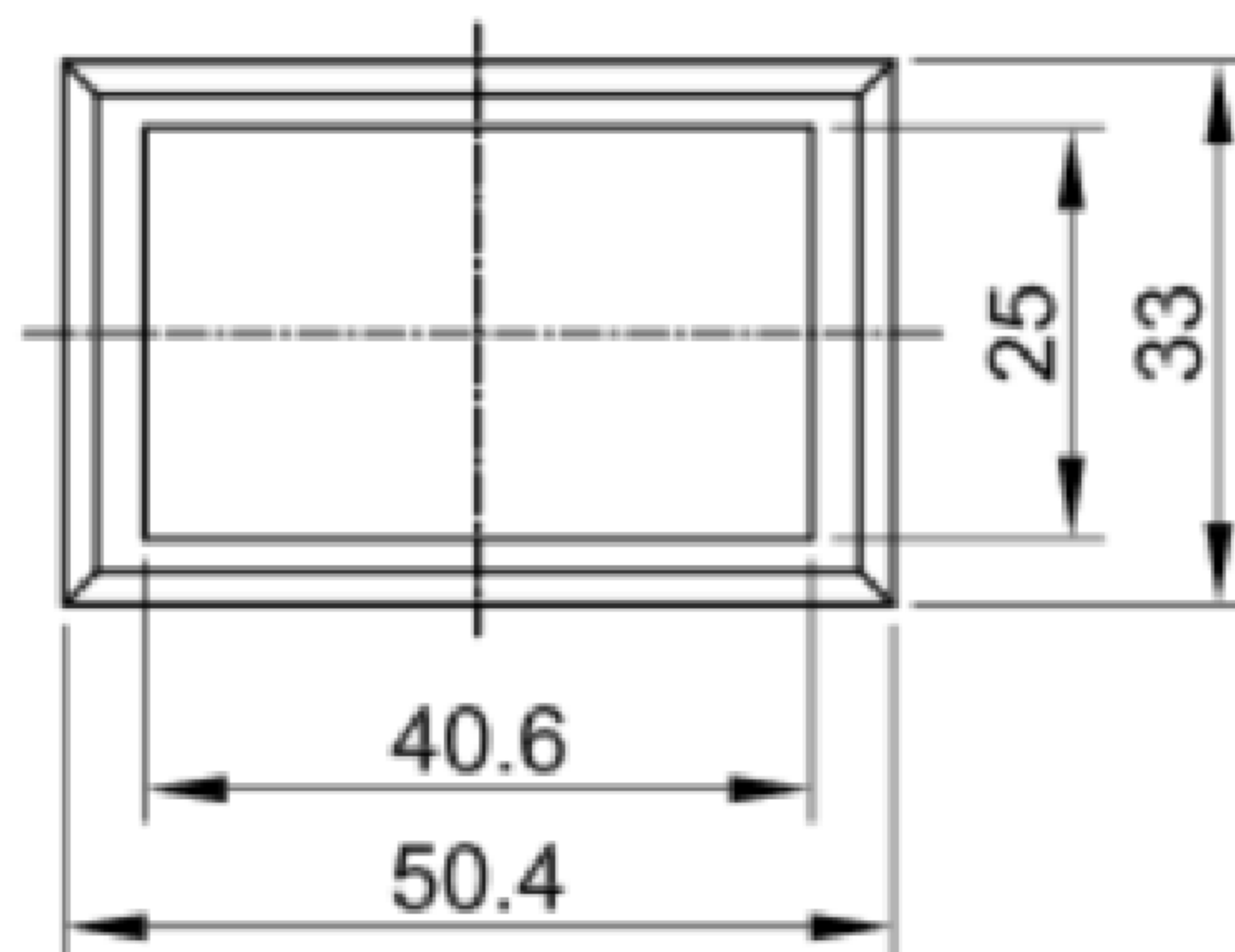
Contact:Silver

Terminal: brass

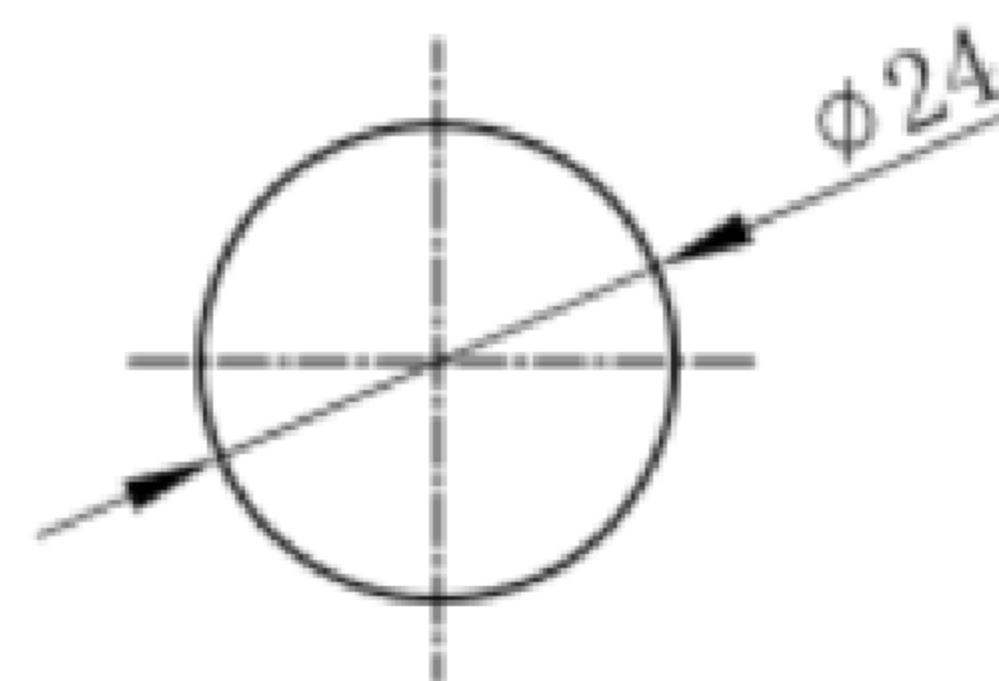
Washer:steel

Nut:Steel

Switching function:on-off,off-momentary on,or on-momentary off



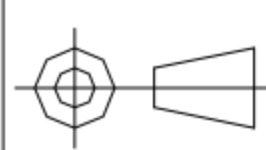
### MOUNTING HOLE



**广东科斯达电子科技有限公司**  
GUANG DONG KE SI DA ELECTRONIC TECHNOLOGY CO., LTD.

TOLERANCE UNLESS OTHERWISE STATED:  
Up to 5 ±0.2  
Above 5 ~ 15 ±0.3  
Above 15 ~ 30 ±0.4  
Above 30 ~ 50 ±0.5  
Angle ±0.3

3RD. ANGEL'S



UNITS

MM

DRAWN BY:	DATE
Jack Lu	12/27/22
CHECKED BY:	DATE
Jacky Chen	12/27/22
APPROVED BY:	DATE
Tony Kao	12/27/22

MAT'L		TITLE	SWITCH
FINISH		MODLE	TACT SWITCH WITH LED
SCALE	1 : 1	DWG NO.	
SHEET NO.	1 of 1	PART NO.	

SIZE  
A4  
VER  
R