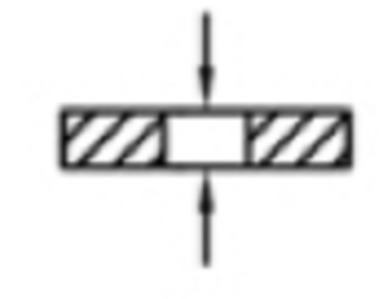
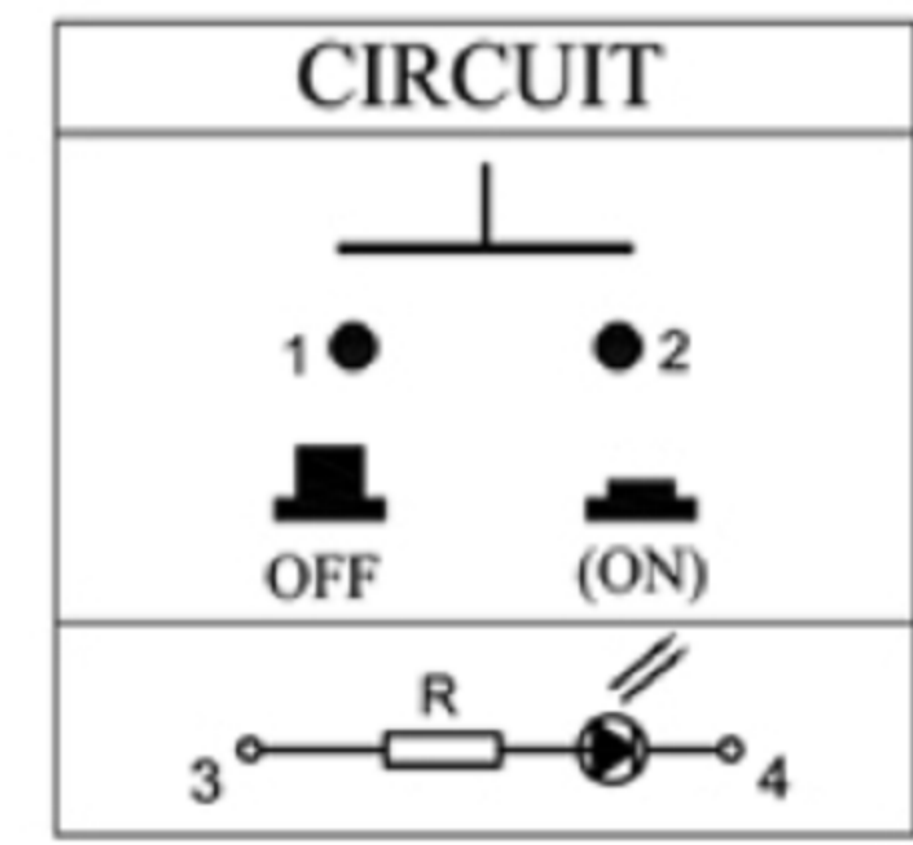


Switch Specifications
 Rating: 3A 250VAC/125VAC ;
 3A 30VDC
 Contact Resistance: 50mΩ Max. ;
 Dielectric Strength: 2000VAC For 1 minute ;
 Total Travel: 3±0.5mm ;
 Operating Force: 450±150gf ;
 Mechanical Life: 50,000 cycles ;
 Load Life: 10,000 cycles ;
 Operating Temperature: -20° C ~ 70° C ;
 Function: OFF-(ON)



Panel Thickness: 5mm MAX.

LED Specifications

LED 类型	双向LED灯珠 (交直流通用)					W1	U1	G1	Y1	R1	W	U	G	Y	R
寿命	40000小时 (参考值)					白色	蓝色	纯绿色	黄色	红色	白色	蓝色	纯绿色	黄色	红色
额定电压	DC3V	DC6V	DC24V	DC36V	AC110V	6.0	6.0	6.0	6.0	6.0	3.0	3.0	3.0	1.8	1.8
	DC12V				AC220V	7.5	7.5	7.0	7.0	7.0	3.2	3.2	3.2	2.0	2.0
额定电流	约15mA		约15mA		约3mA	9.5	9.5	8.5	8.5	8.5	3.4	3.4	3.4	2.4	2.4
灯发光颜色 X						最小	一般	最大	额定电流 (mA)						
降压方式	LED内集成电阻		采用3V灯, 需在灯端子上接电阻			顺向电压(V)									

广东科斯达电子科技有限公司
 GUANG DONG KE SI DA ELECTRONIC TECHNOLOGY CO., LTD.

TOLERANCE UNLESS OTHERWISE STATED:
 Up to 5 ±0.2
 Above 5 ~ 15 ±0.3
 Above 15 ~ 30 ±0.4
 Above 30 ~ 50 ±0.5
 Angle ±0.3

3RD. ANGEL'S

UNITS MM

DRAWN BY:	DATE	MAT'L	TITLE	SWITCH
Jack Lu	12/27/22		MODLE	TACT SWITCH WITH LED
CHECKED BY:	DATE	FINISH	DWG NO.	
Jacky Chen	12/27/22		PART NO.	
APPROVED BY:	DATE	SCALE		
Tony Kao	12/27/22	1:1		
		SHEET NO.		
		1 of 1		

ITEM NO.	DESCRIPTION	DRAWN	DATE