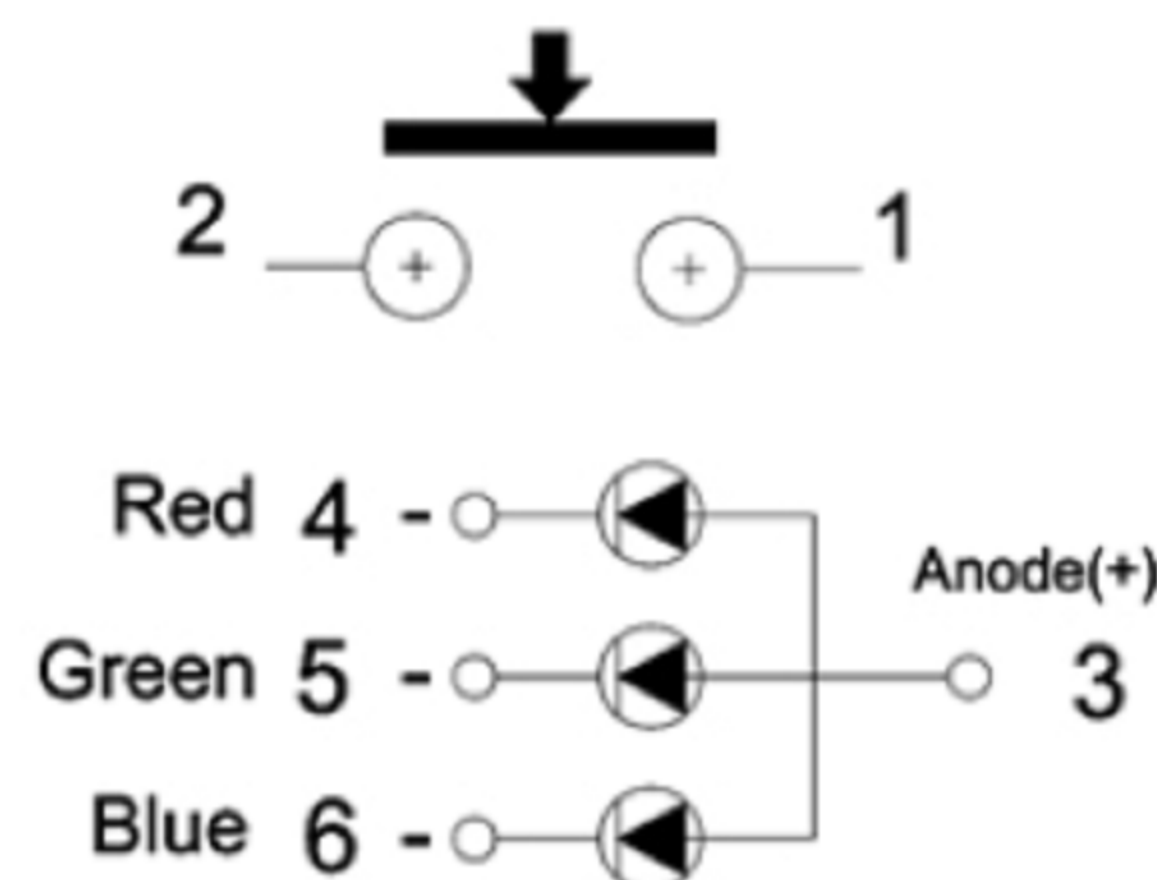


CIRCUIT

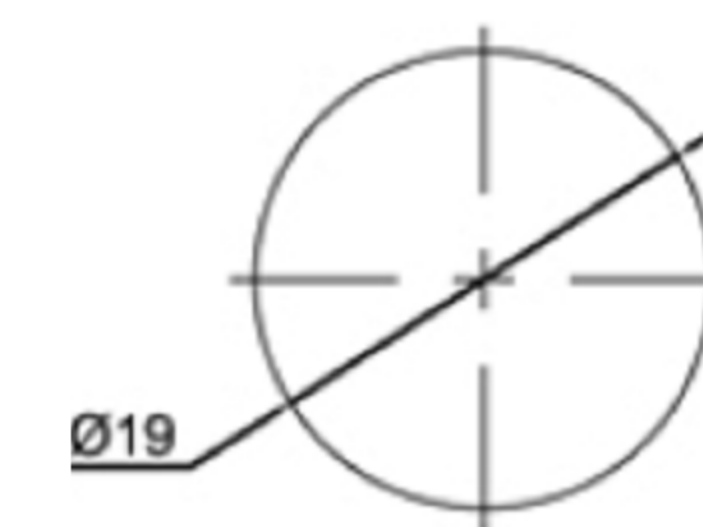
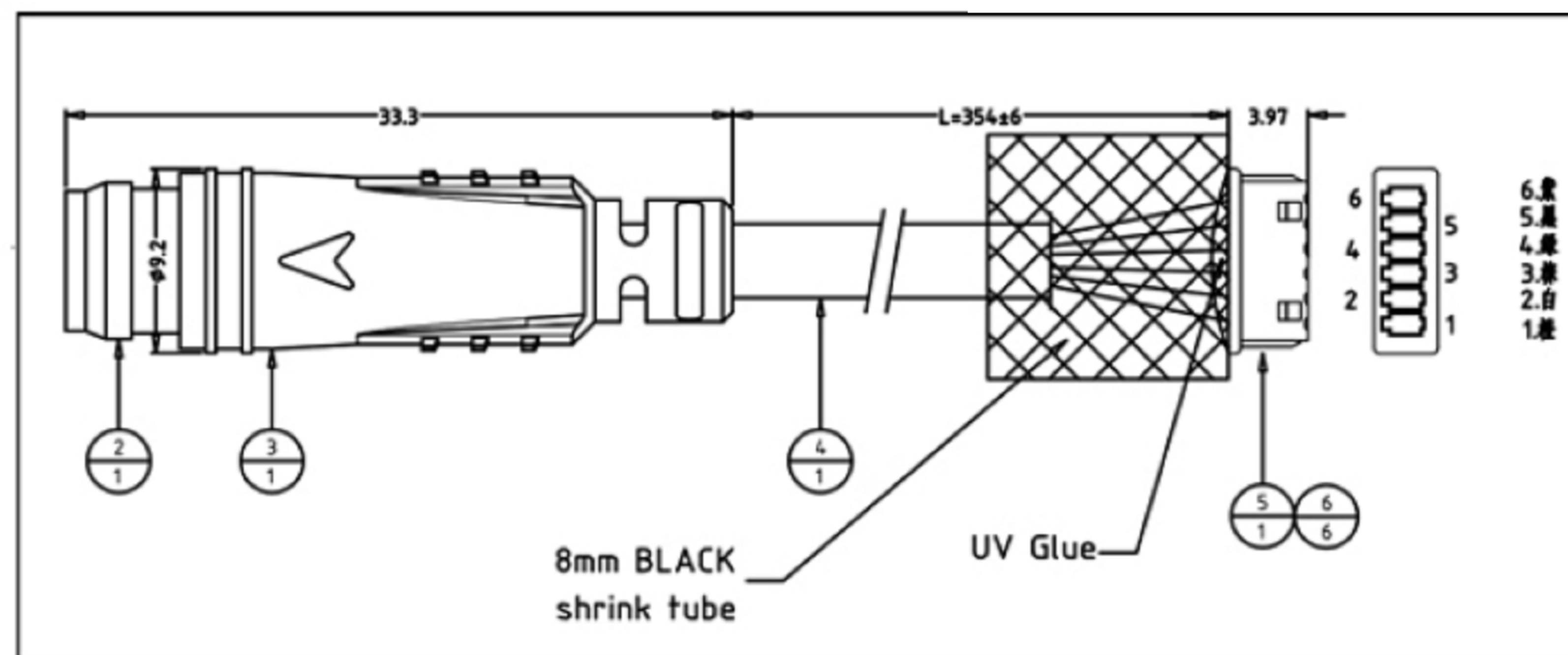


SPECIFICATIONS

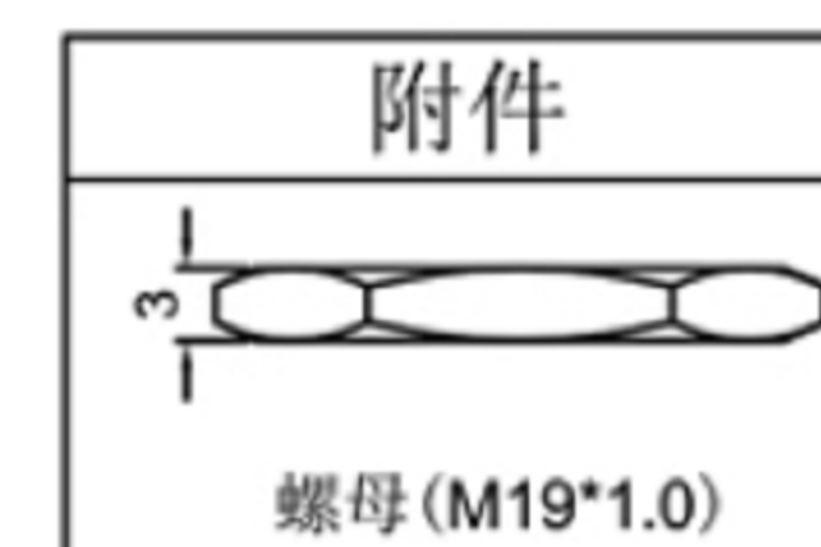
Rating: 50mA 12VDC
 Total Travel: 0.8-1.0mm;
 Operating Force: 300-400gf;
 Degree of protection: IP67;
 Mechanical Life: 1000, 000 cycles;
 LED Life: 50, 000 hours;
 LED Rating: 20mA 12VDC

Switch the material:

- 1.Shell material: Aluminium Alloy;
- 2.Key: PC;
- 3.Back shroud: PA66;
- 4.Supporting plate: POM;



PAD LAYOUT



 **广东科斯达电子科技有限公司**
 GUANG DONG KE SI DA ELECTRONIC TECHNOLOGY CO., LTD.

TOLERANCE UNLESS OTHERWISE STATED:
 Up to 5 ±0.2
 Above 5 ~ 15 ±0.3
 Above 15 ~ 30 ±0.4
 Above 30 ~ 50 ±0.5
 Angle ±0.3

3RD. ANGEL'S

UNITS MM

DRAWN BY:	DATE	MAT'L	TITLE	SWITCH
Jack Lu	12/27/22	FINISH	MODLE	TACT SWITCH WITH LED
CHECKED BY:	DATE	SCALE	DWG NO.	SIZE
Jacky Chen	12/27/22	1:1	PART NO.	A4
APPROVED BY:	DATE	SHEET NO.		VER
Tony Kao	12/27/22	1 of 1		R

ITEM NO.	DESCRIPTION	DRAWN	DATE