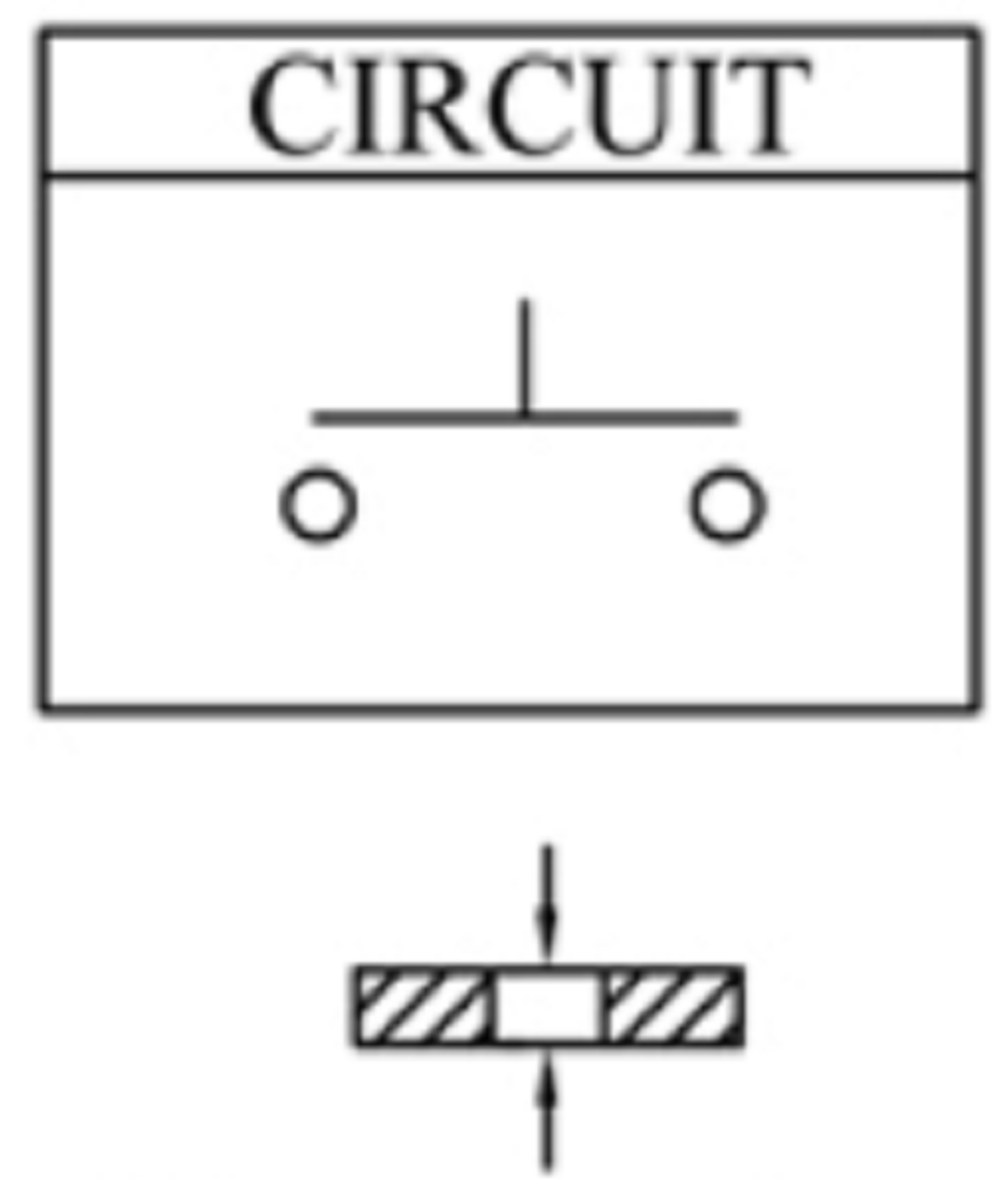
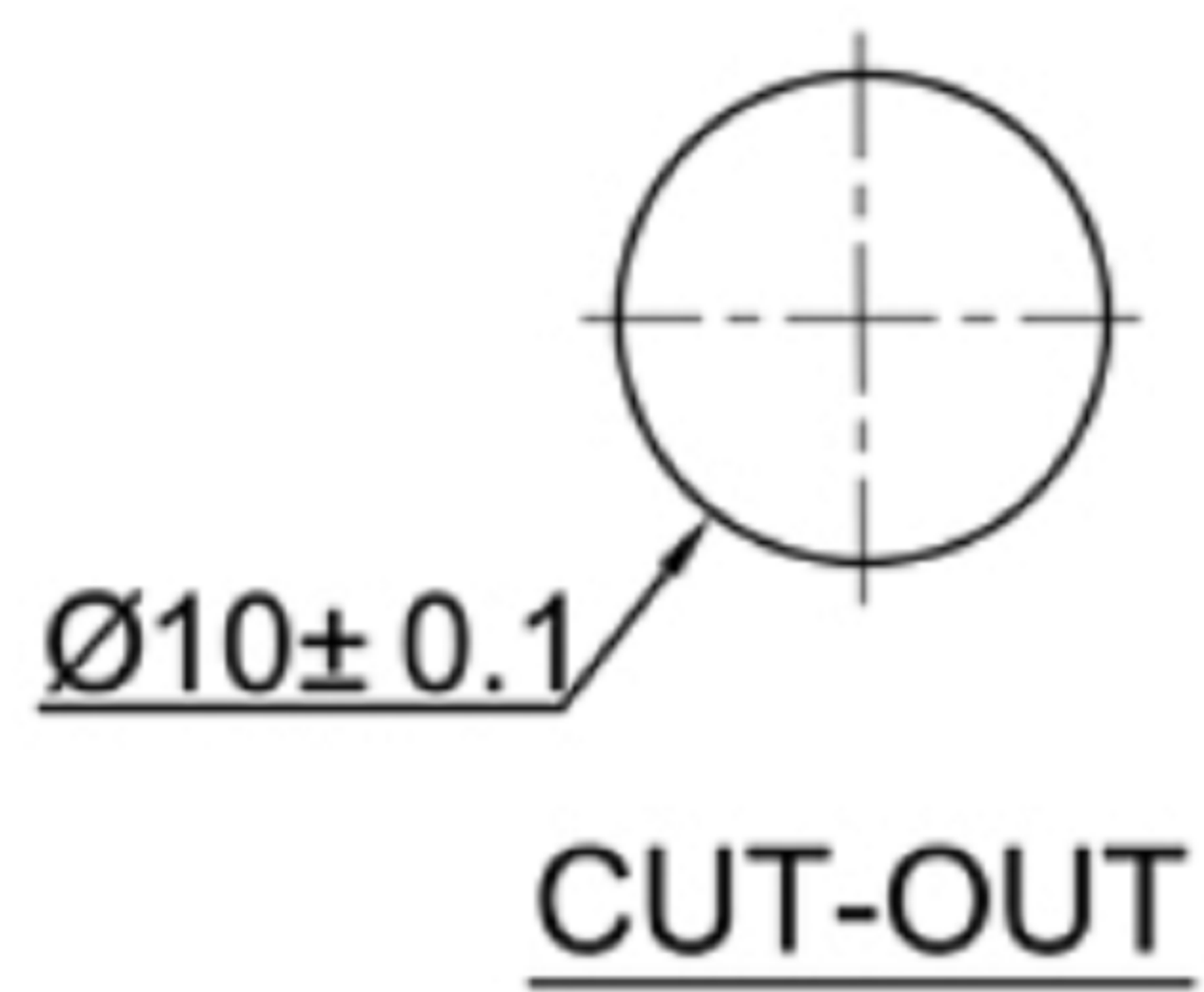
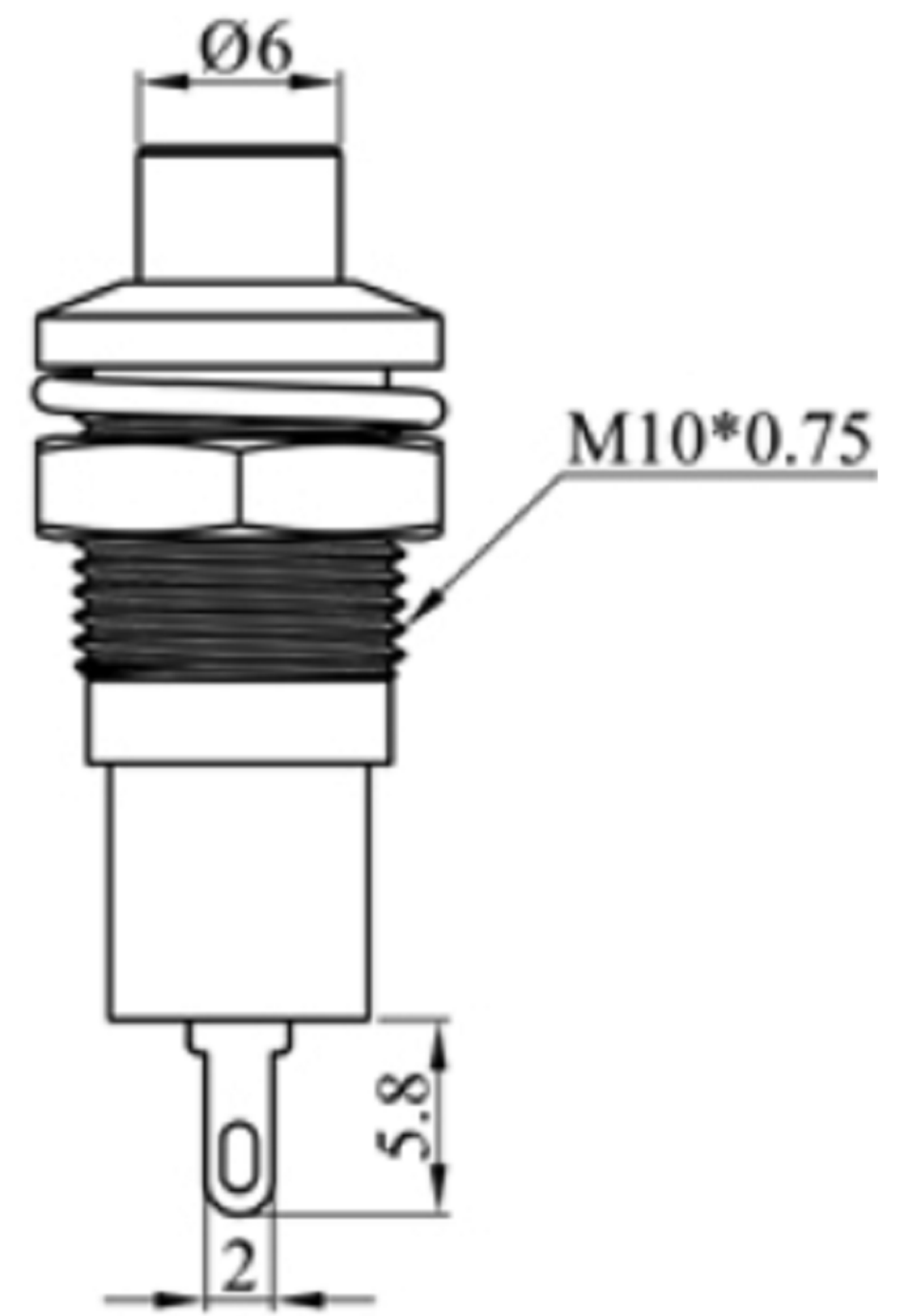
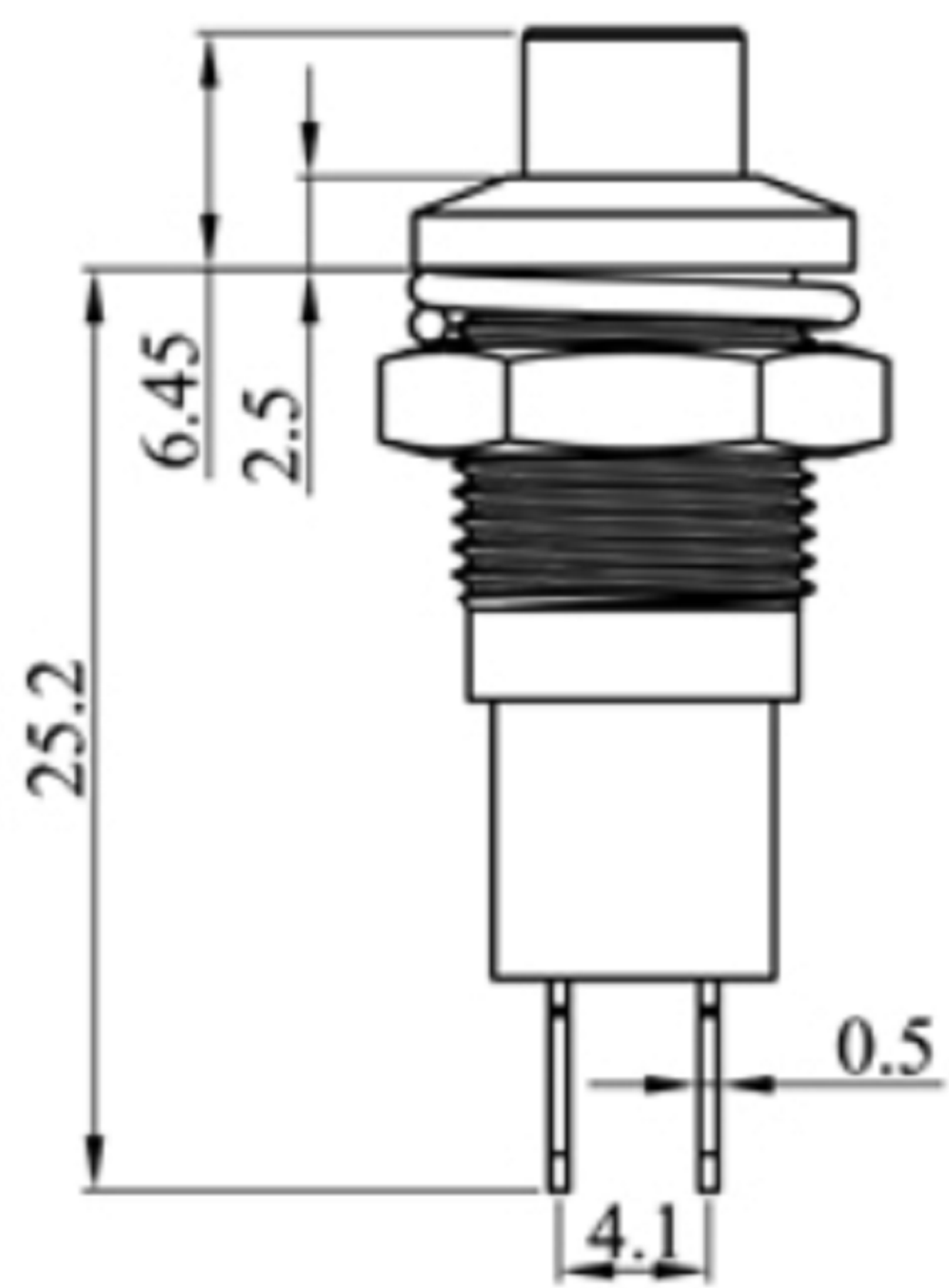
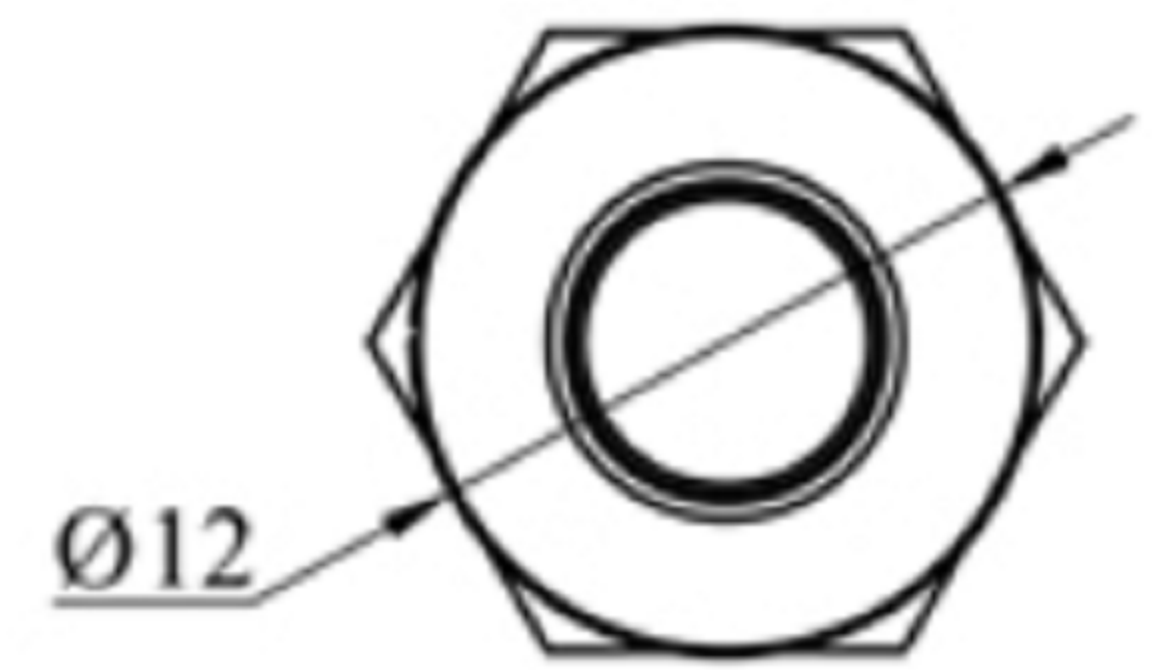
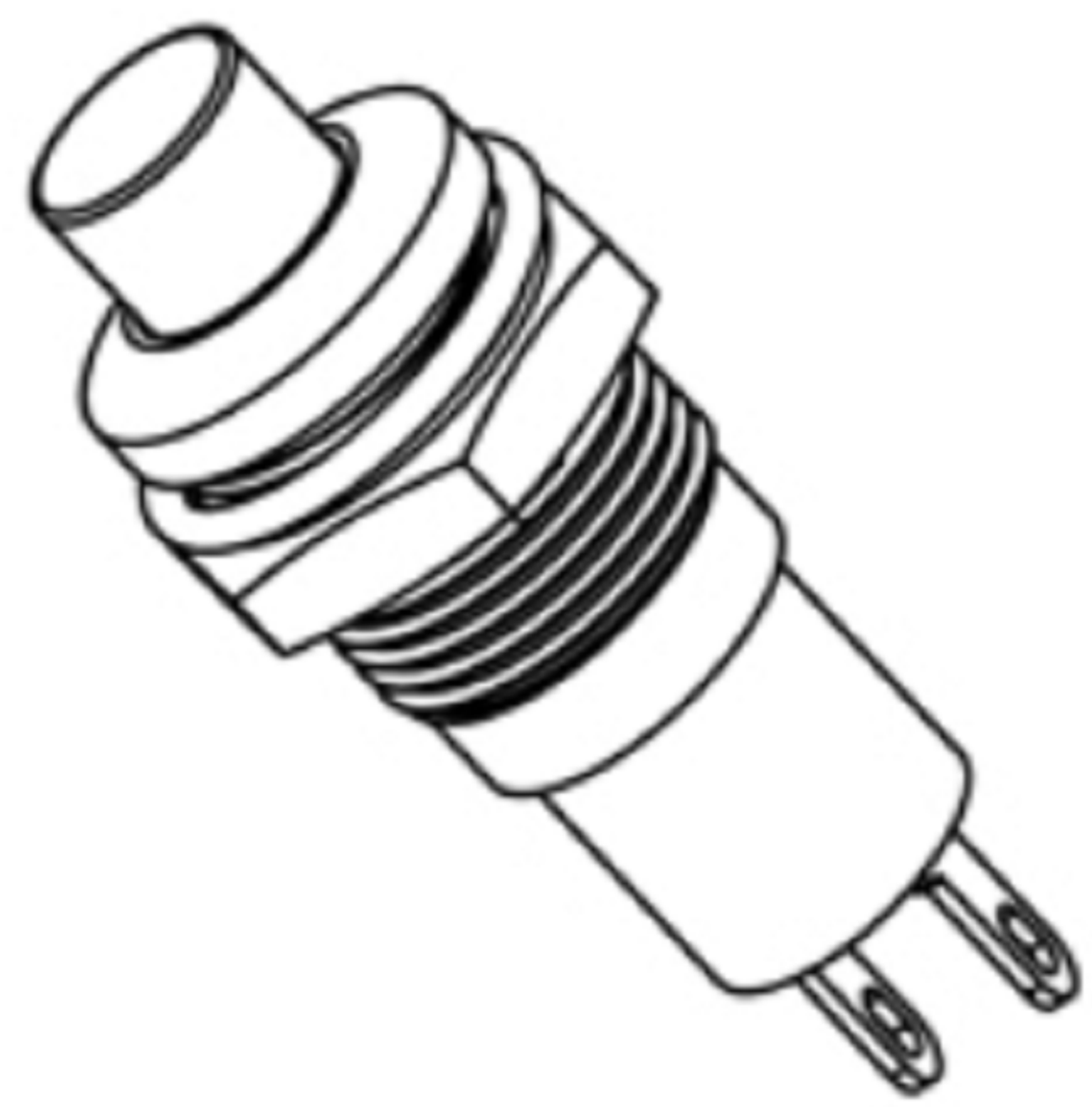


Rating: 1A 36VDC
 1A 125VAC / 0.5A 250VDC
 Contact Resistance: 50mΩ Max.
 Insulation Resistance:DC 500V 100MΩ Min.
 Dielectric Strength:AC 1000V 1 minute
 Total travel:2.0± 0.5mm
 Operating Force:400± 100gf
 Electrical Life:10,000 cycles
 Mechanical Life:5,000 cycles
 Operating Temperation:-20° C~70° C
 Function: OFF - ON



PBM10



Panel Thickness: 4mm MAX.

 **广东科斯达电子科技有限公司**
 GUANG DONG KE SI DA ELECTRONIC TECHNOLOGY CO., LTD.

TOLERANCE UNLESS OTHERWISE STATED:
 Up to 5 ±0.2
 Above 5 ~ 15 ±0.3
 Above 15 ~ 30 ±0.4
 Above 30 ~ 50 ±0.5
 Angle ±0.3

3RD. ANGEL'S

UNITS MM

DRAWN BY:	DATE	MAT'L	TITLE	SWITCH
Jack Lu	12/27/22		MODLE	TACT SWITCH WITH LED
CHECKED BY:	DATE	FINISH	DWG NO.	SIZE
Jacky Chen	12/27/22			A4
APPROVED BY:	DATE	SCALE	PART NO.	VER
Tony Kao	12/27/22	1 : 1		R
SHEET NO.	1 of 1			

ITEM NO.	DESCRIPTION	DRAWN	DATE