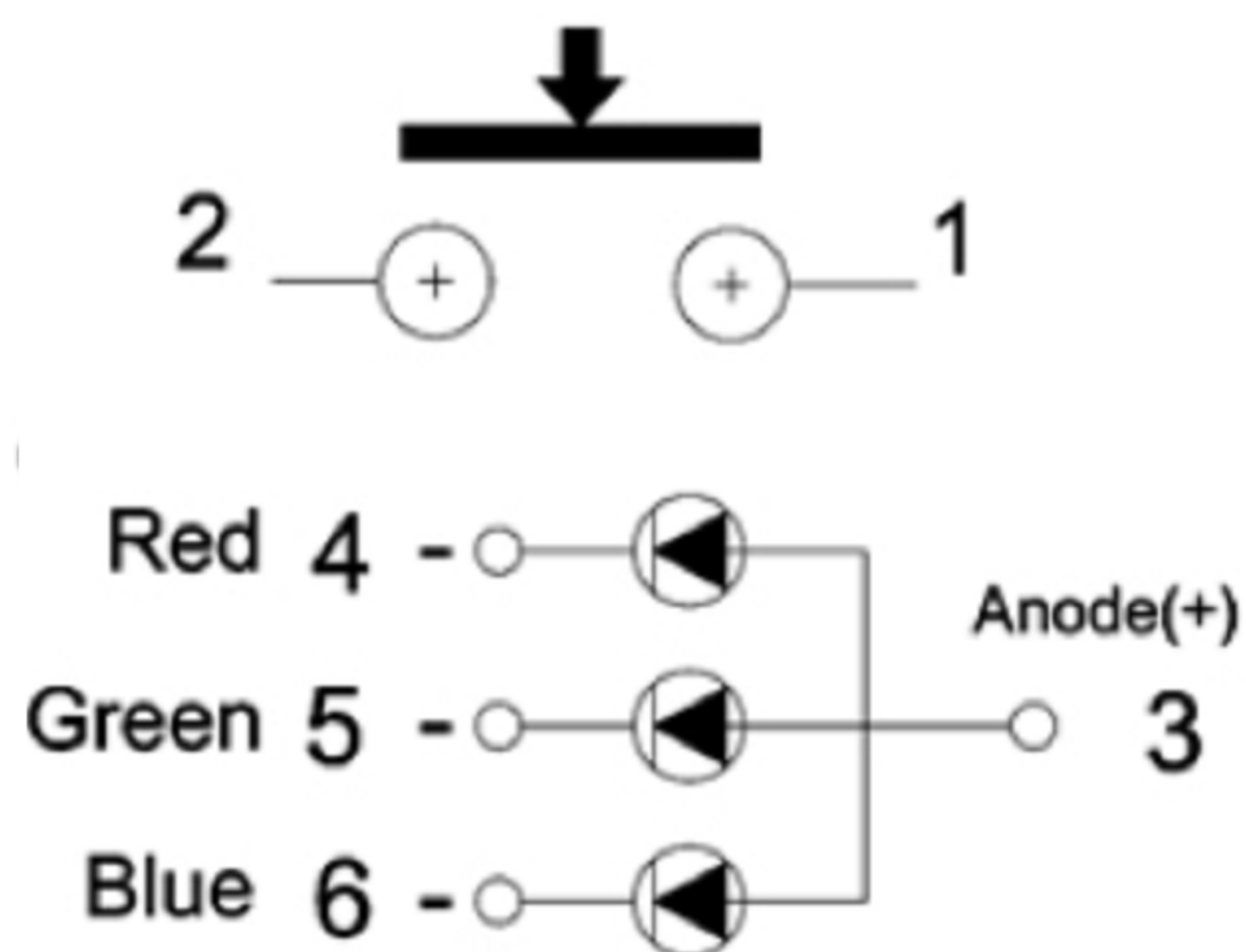


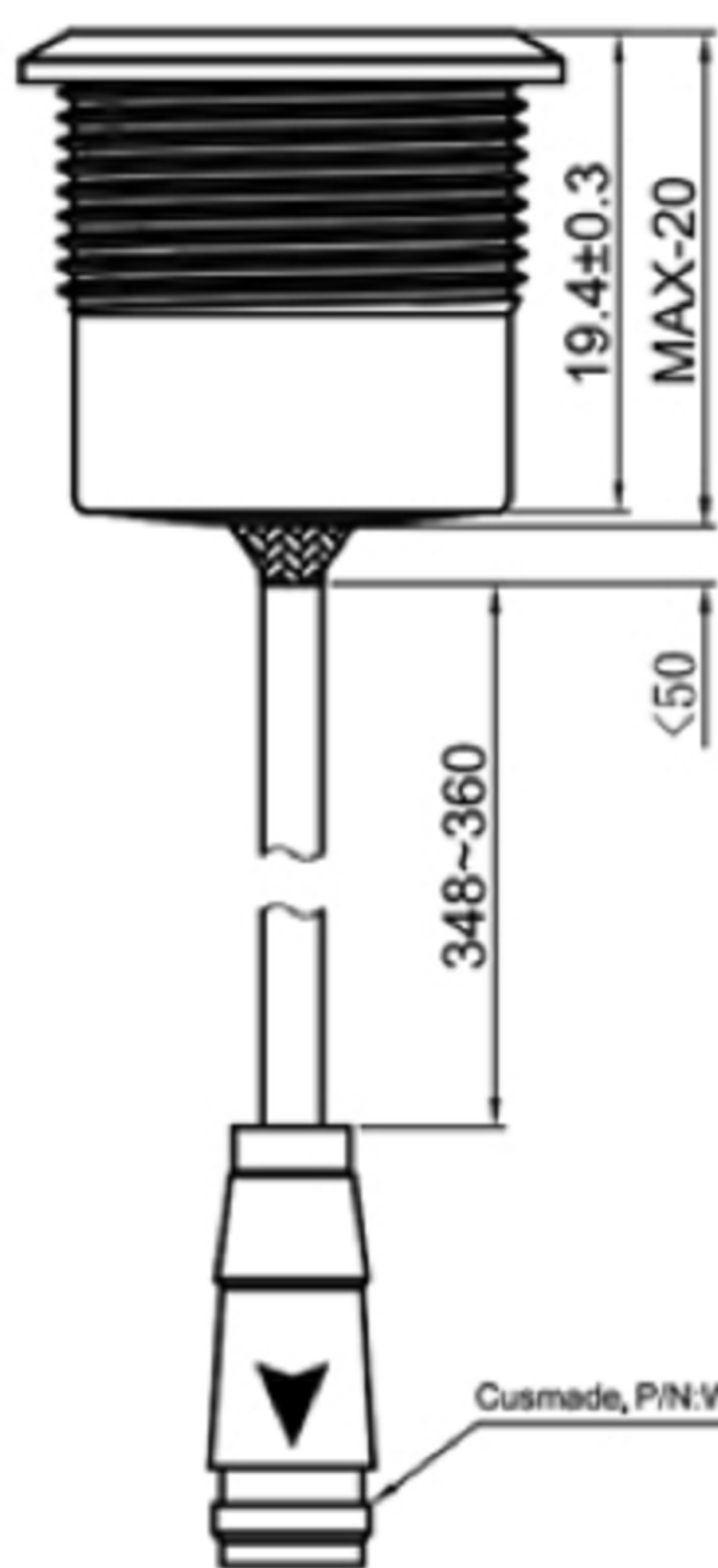


**CIRCUIT**



**SPECIFICATIONS**

Rating: 50mA 12VDC  
 Total Travel: 0.8-1.0mm;  
 Operating Force: 300-400gf;  
 Degree of protection: IP67;  
 Mechanical Life: 1000, 000 cycles;  
 LED Life: 50, 000 hours;  
 LED Rating: 20mA 12VDC



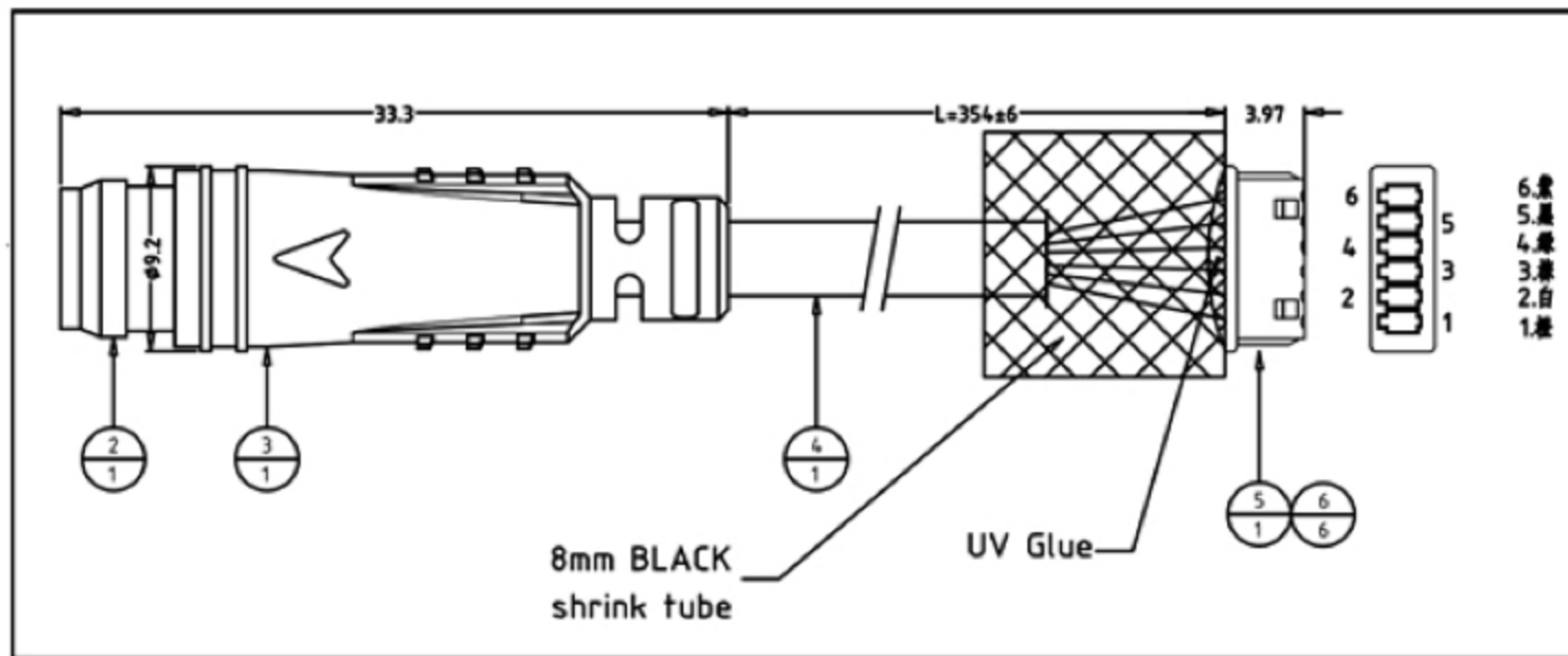
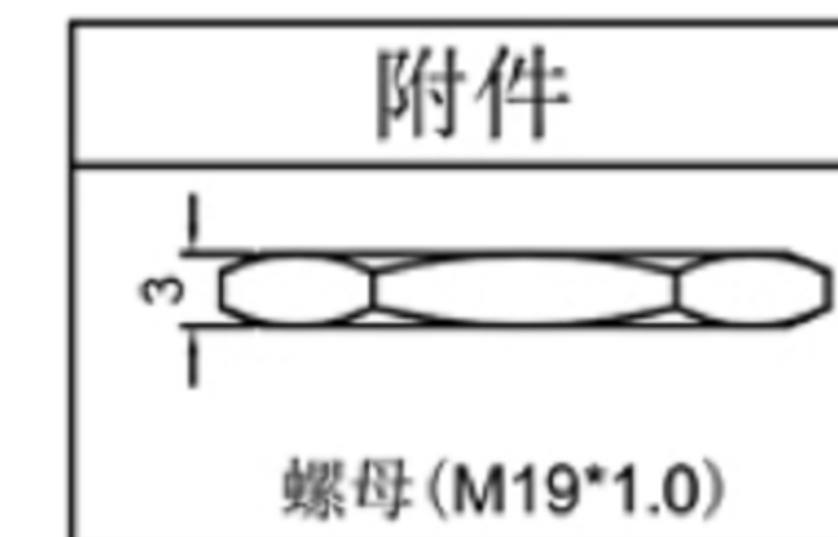
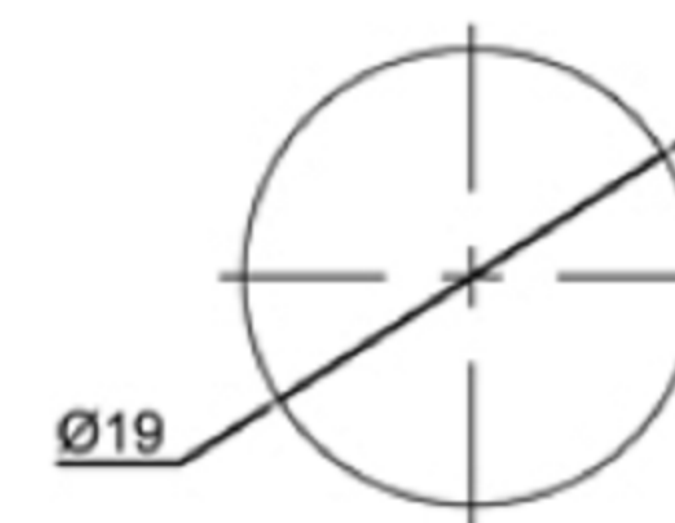
Cusmade, P/N:WH-A003-CN001



**Switch the material:**

- 1.Shell material: Aluminium Alloy;
- 2.Key: PC;
- 3.Back shroud: PA66;
- 4.Supporting plate: POM;

**PAD LAYOUT**



**广东科斯达电子科技有限公司**  
**GUANG DONG KE SI DA ELECTRONIC TECHNOLOGY CO., LTD.**

TOLERANCE UNLESS OTHERWISE STATED:	Up to 5 ±0.2	Above 5 ~ 15 ±0.3	3RD. ANGEL'S	UNITS	MM
	Above 15 ~ 30 ±0.4	Above 30 ~ 50 ±0.5			
	Angle ±0.3				

DRAWN BY:	DATE	MAT'L	TITLE	SWITCH
Jack Lu	12/27/22		MODLE	TACT SWITCH WITH LED
CHECKED BY:	DATE	FINISH	DWG NO.	SIZE
Jacky Chen	12/27/22			A4
APPROVED BY:	DATE	SCALE	PART NO.	VER
Tony Kao	12/27/22	1:1		R
SHEET NO.	1 of 1			

ITEM NO.	DESCRIPTION	DRAWN	DATE