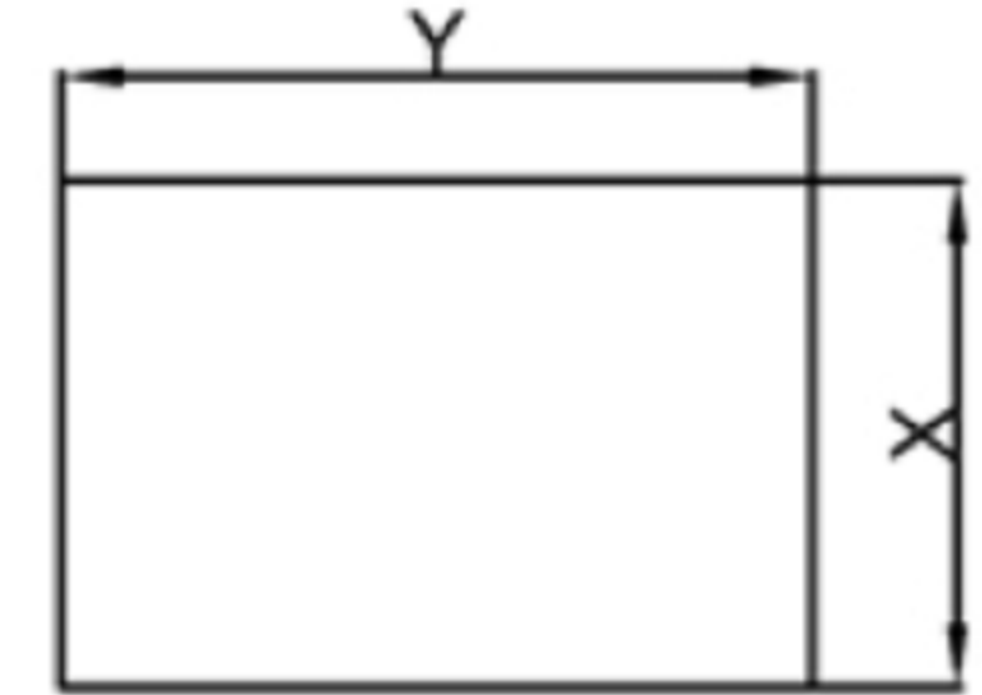
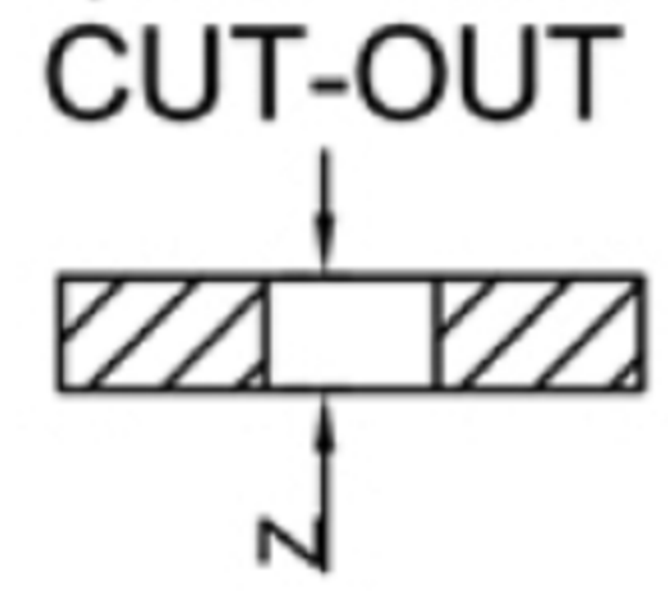
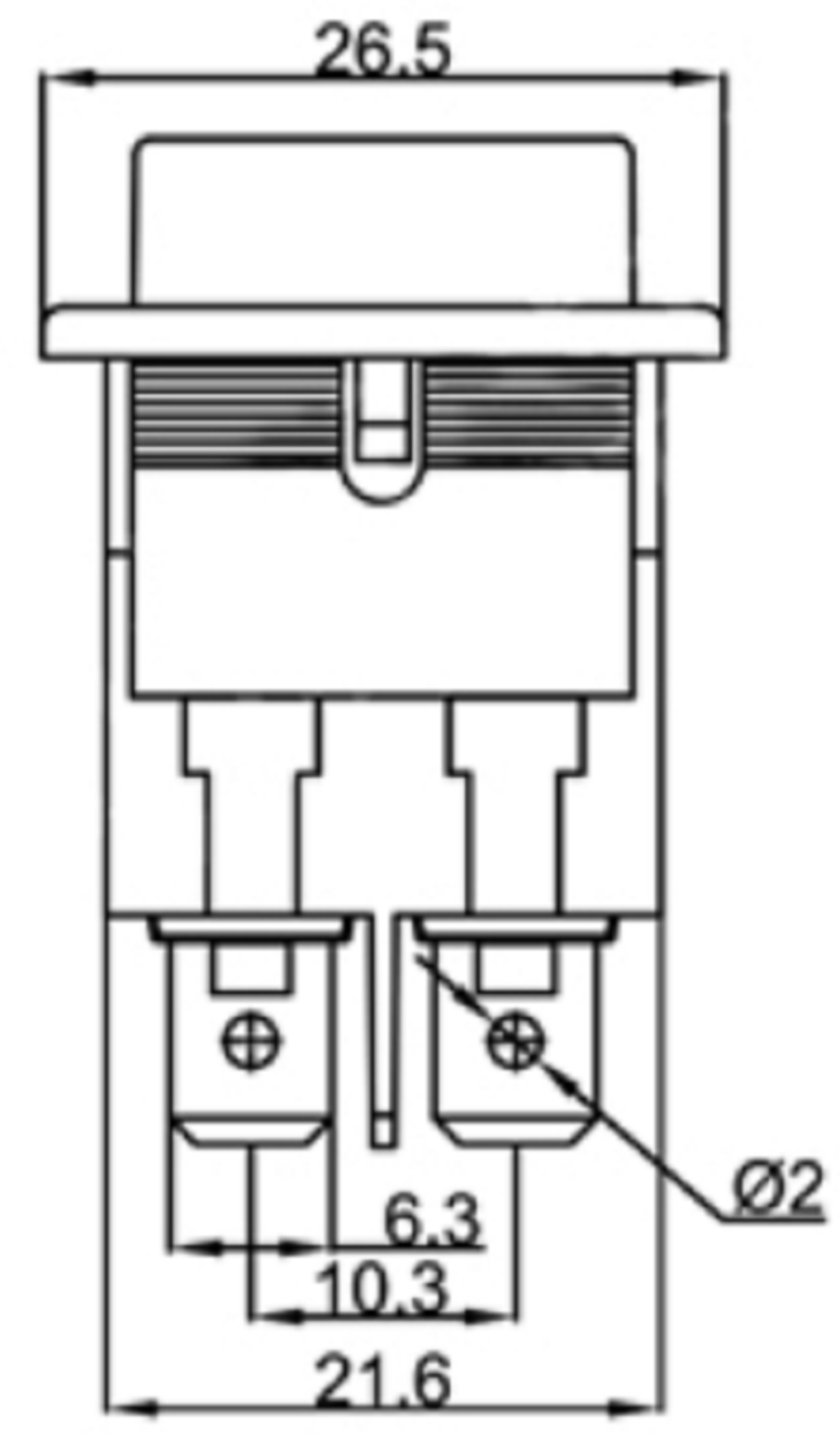
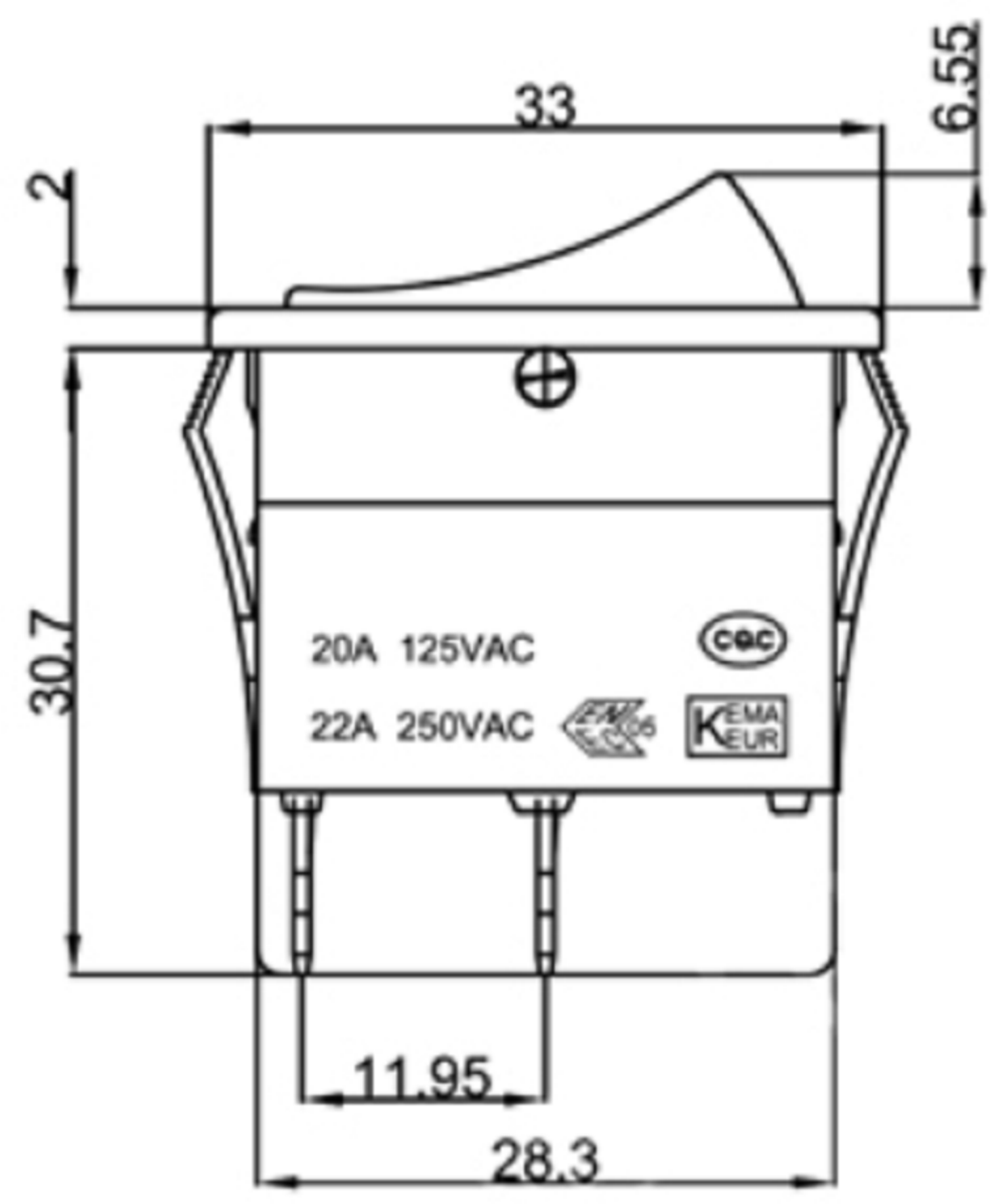
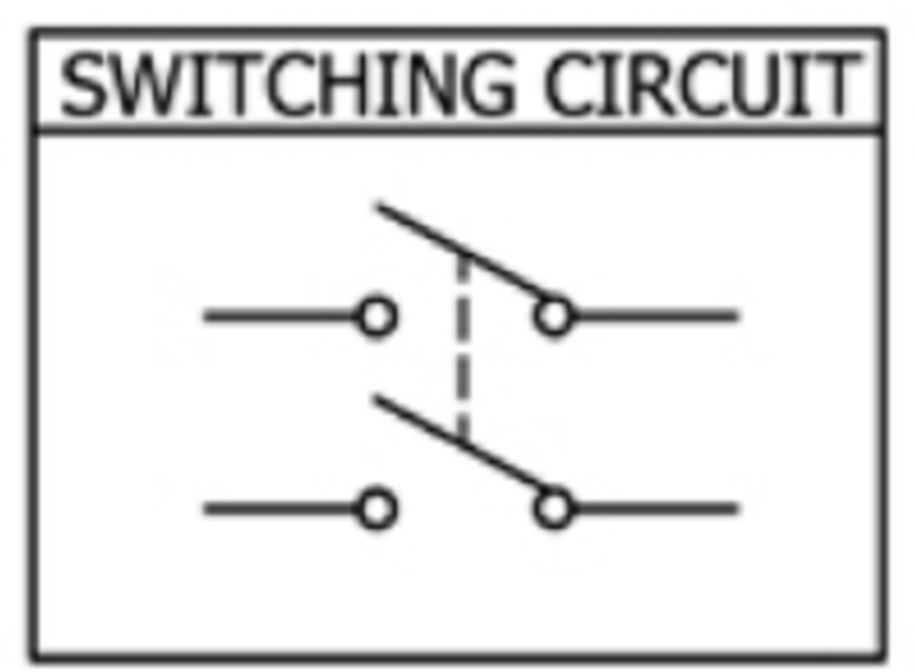


RATING: 20A 125VAC
22A 250VAC
 Degree of protection: IP55
 Contact Resistance: 20m Ω (Max)
 Insulation Resistance: DC 500V 100M Ω (Min)
 Dielectric Strength: AC1500V 1 minute
 Operating Force: 500±200gf
 Mechanical Life: 50,000 cycles
 Load Life: 10,000 cycles
 Operating Temperature: 0°C~85°C



Z	X	Y
0.70~1.25	22.0~22.2	30.0~30.2
1.25~2.00	22.0~22.2	30.2~30.4
2.00~3.00	22.0~22.2	30.4~30.6




广东科斯达电子科技有限公司
GUANG DONG KE SI DA ELECTRONIC TECHNOLOGY CO., LTD.

TOLERANCE UNLESS OTHERWISE STATED: Up to 5 ±0.2, Above 5 ~ 15 ±0.3, Above 15 ~ 30 ±0.4, Above 30 ~ 50 ±0.5, Angle ±0.3
 3RD. ANGEL'S
 UNITS MM

DRAWN BY:	DATE	MAT'L	TITLE	SWITCH
Jack Lu	12/27/22		MODLE	TACT SWITCH WITH LED
CHECKED BY:	DATE	FINISH	DWG NO.	
Jacky Chen	12/27/22		PART NO.	
APPROVED BY:	DATE	SCALE	1 : 1	
Tony Kao	12/27/22	SHEET NO.	1 of 1	

ITEM NO.	DESCRIPTION	DRAWN	DATE