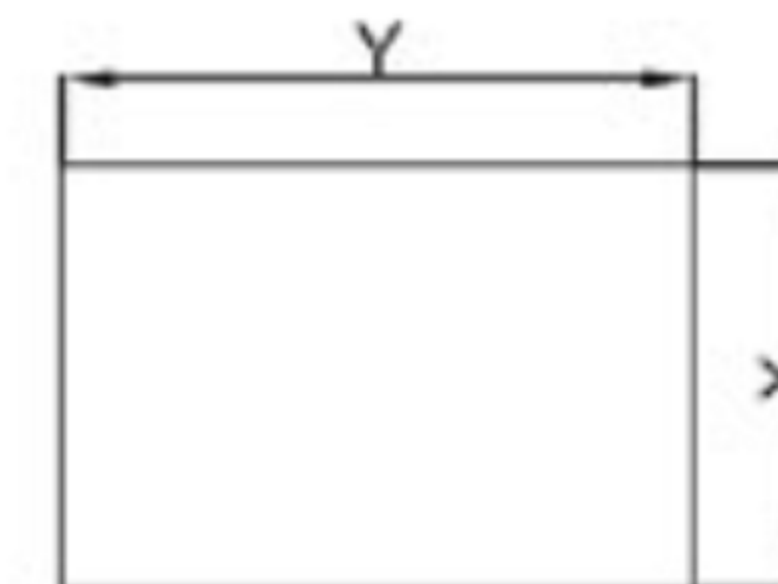
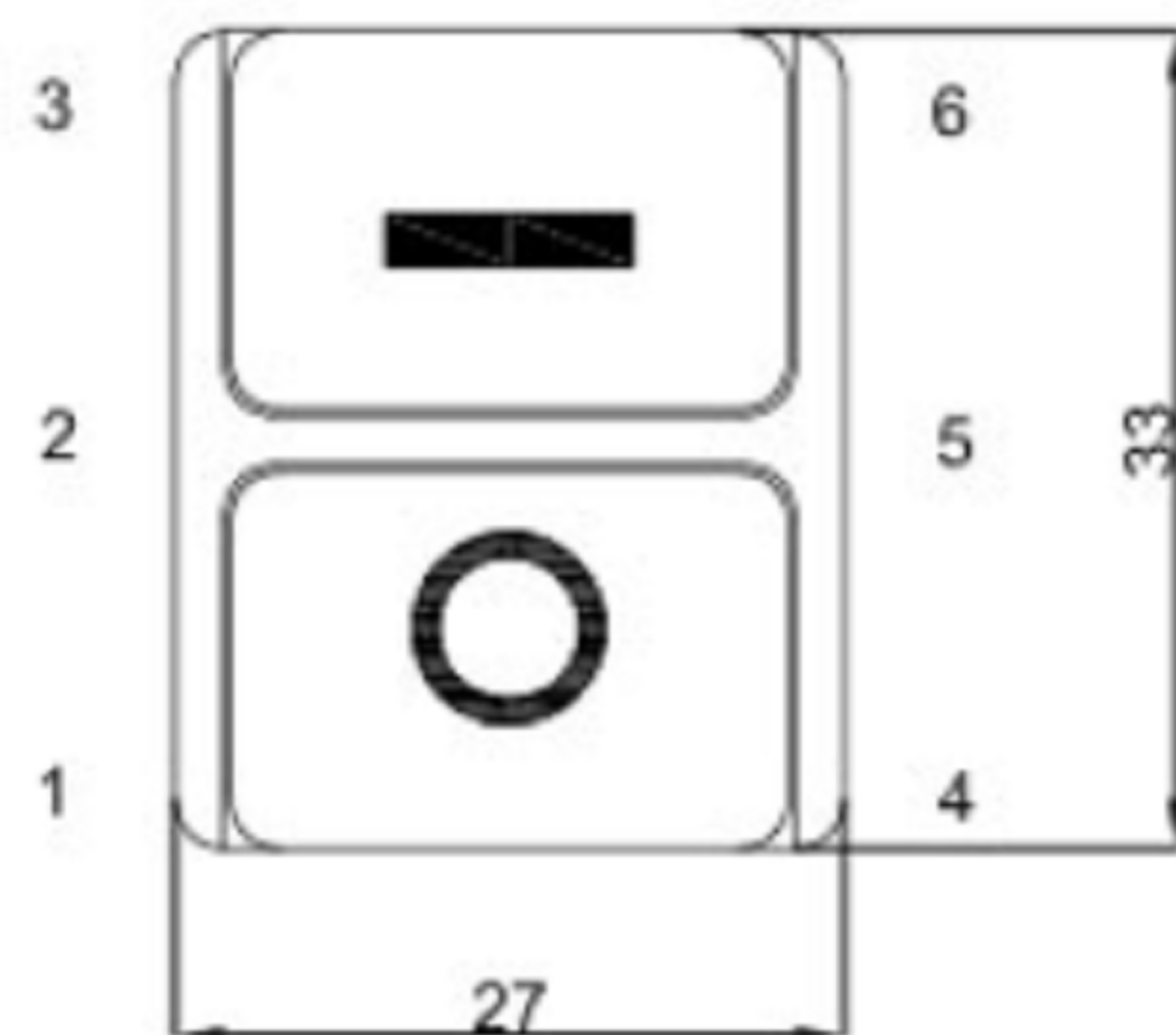
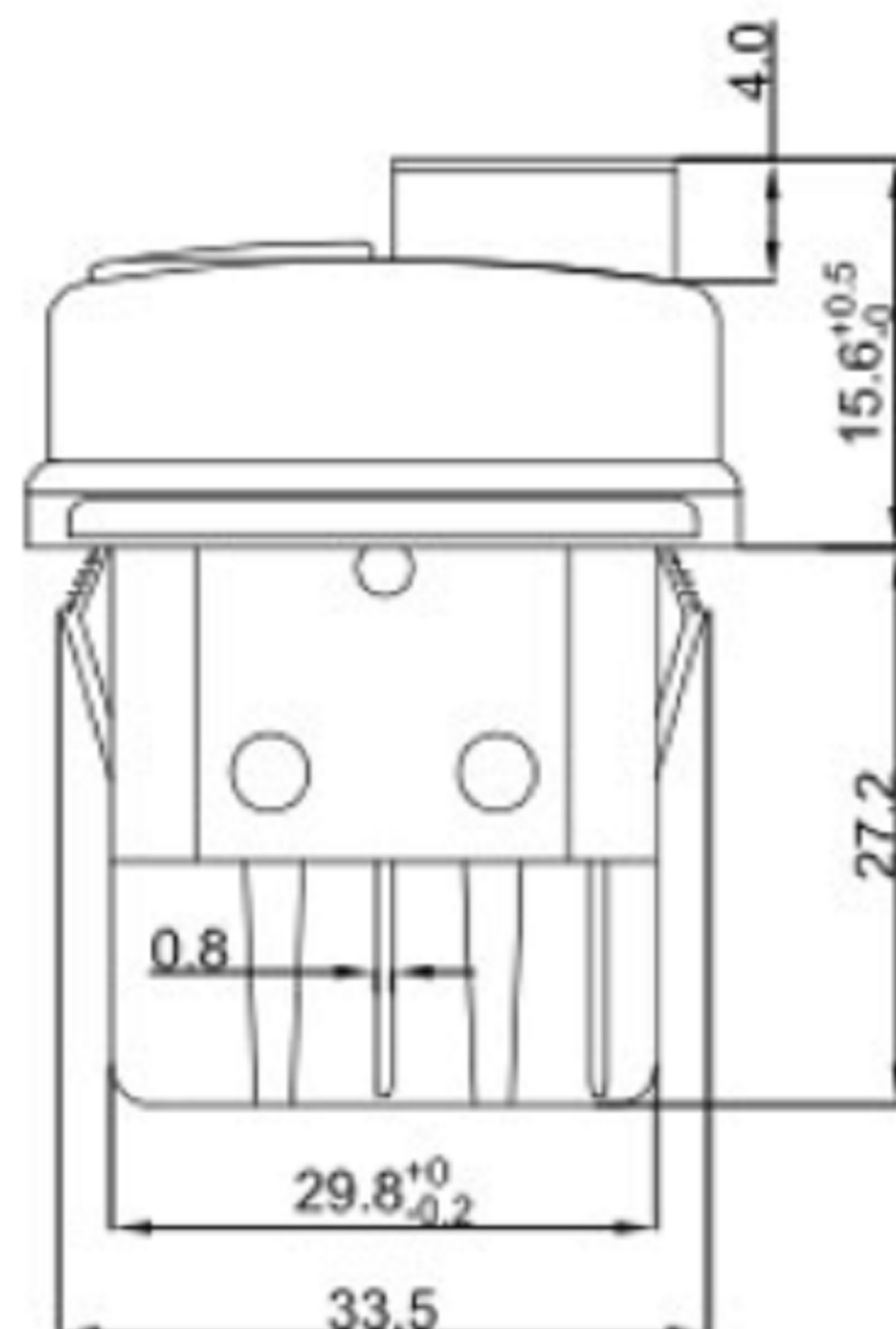
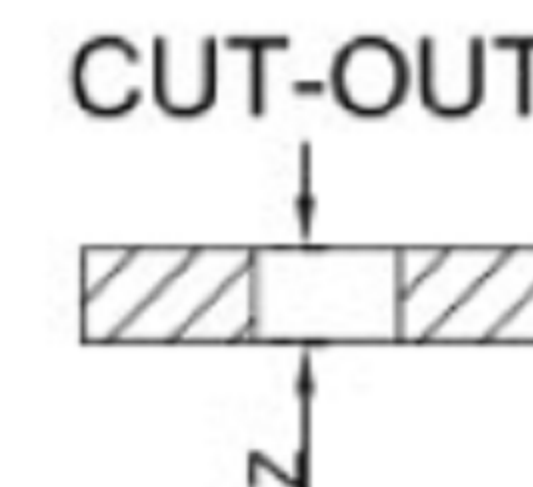
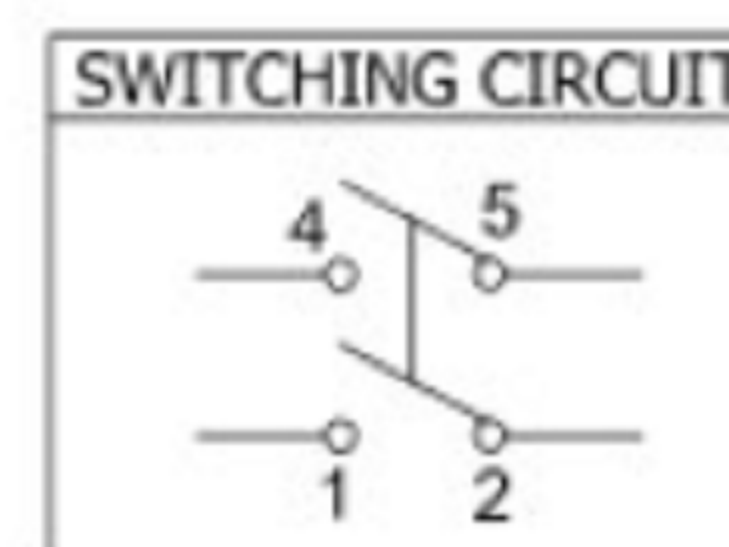




**RATING: 25A 125VAC**  
**Degree of protection: IP55**  
**Contact Resistance: 20m Ω (Max)**  
**Insulation Resistance: DC 500V 100M Ω (Min)**  
**Dielectric Strength: AC1500V 1 minute**  
**Operating Force: 500±200gf**  
**Mechanical Life: 50,000 cycles**  
**Load Life: 10,000 cycles**  
**Operating Temperature: 0°C ~85°C**



Z	X	Y
0.70~1.25	22.0~22.3	30.2~30.3
1.25~2.00	22.0~22.3	30.6~30.7
2.00~3.00	22.0~22.3	30.8~30.9




**广东科斯达电子科技有限公司**  
**GUANG DONG KE SI DA ELECTRONIC TECHNOLOGY CO., LTD.**

TOLERANCE UNLESS OTHERWISE STATED: Up to 5 ±0.2, Above 5 ~ 15 ±0.3, Above 15 ~ 30 ±0.4, Above 30 ~ 50 ±0.5, Angle ±0.3  
 3RD. ANGEL'S  
 UNITS MM

DRAWN BY:	DATE	MAT'L	TITLE	SWITCH
Jack Lu	12/27/22		MODLE	TACT SWITCH WITH LED
CHECKED BY:	DATE	FINISH	DWG NO.	
Jacky Chen	12/27/22		PART NO.	
APPROVED BY:	DATE	SCALE	1 : 1	
Tony Kao	12/27/22	SHEET NO.	1 of 1	

ITEM NO.	DESCRIPTION	DRAWN	DATE

SIZE A4  
 VER R