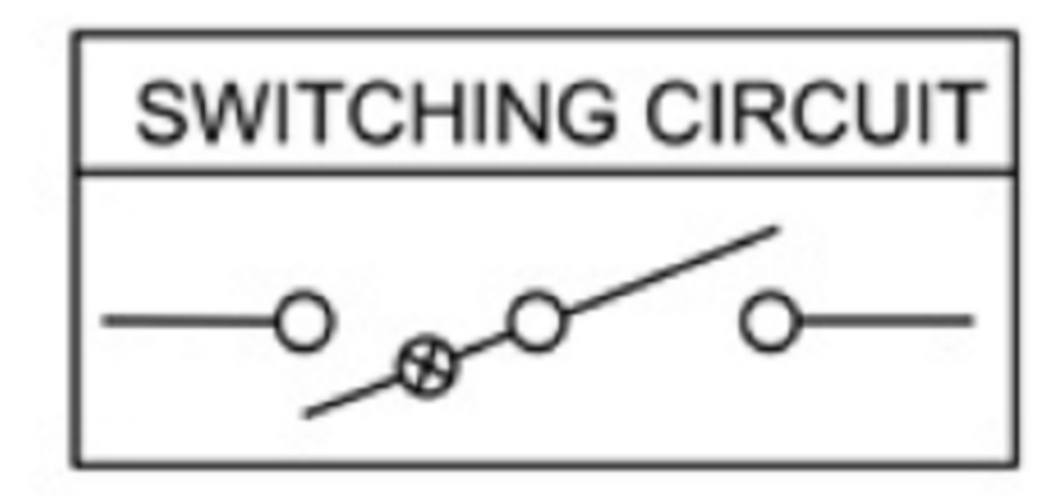
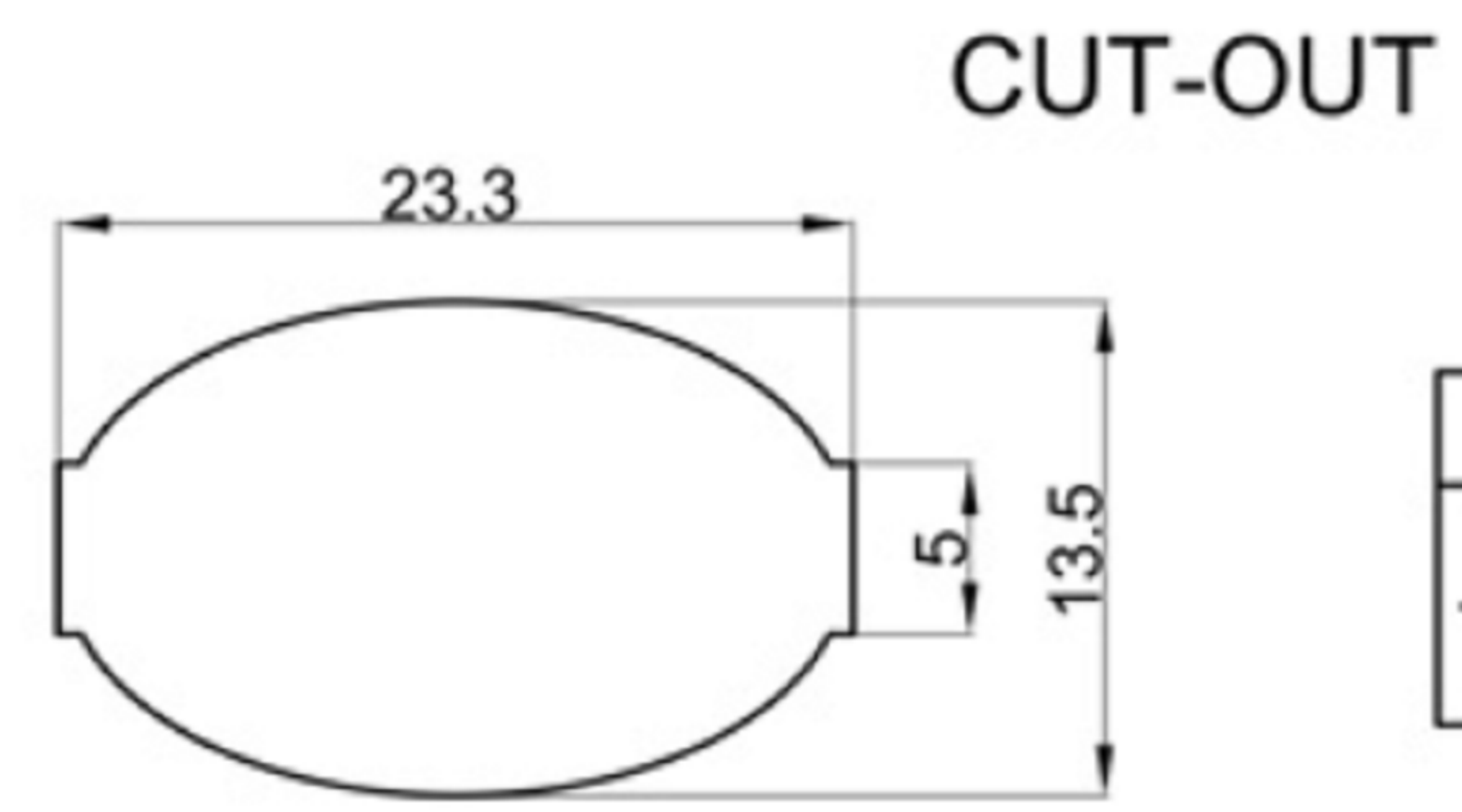
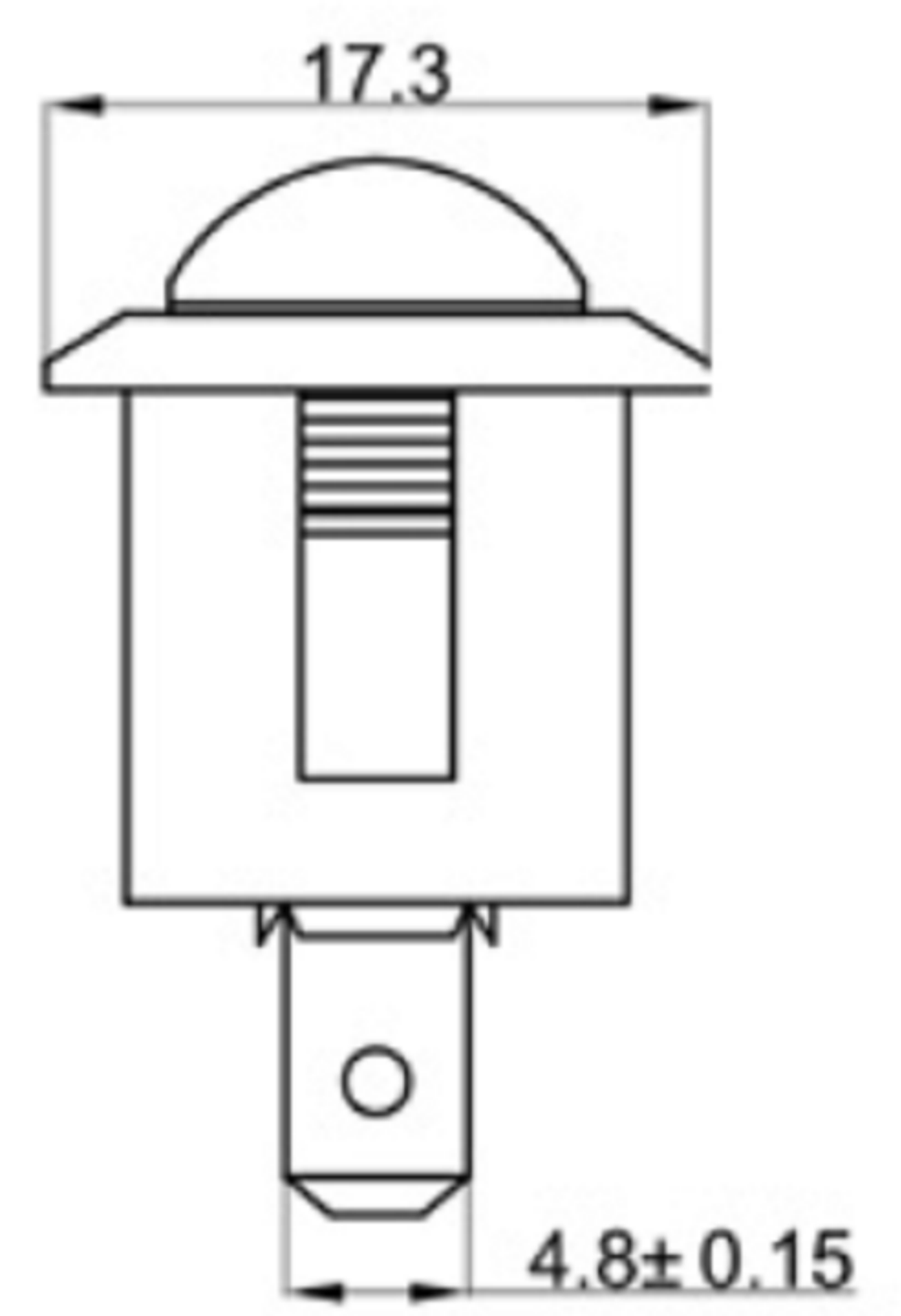
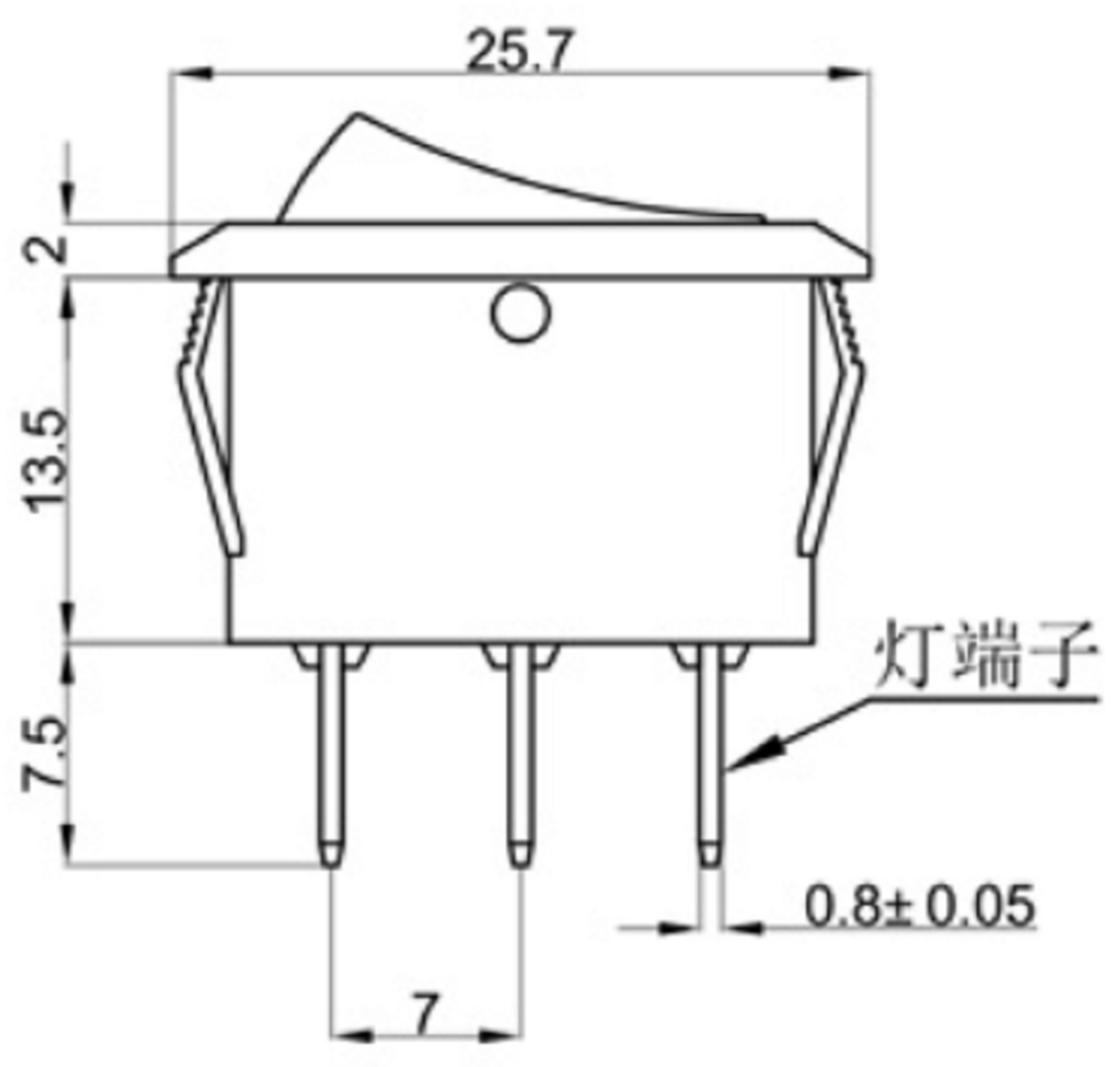
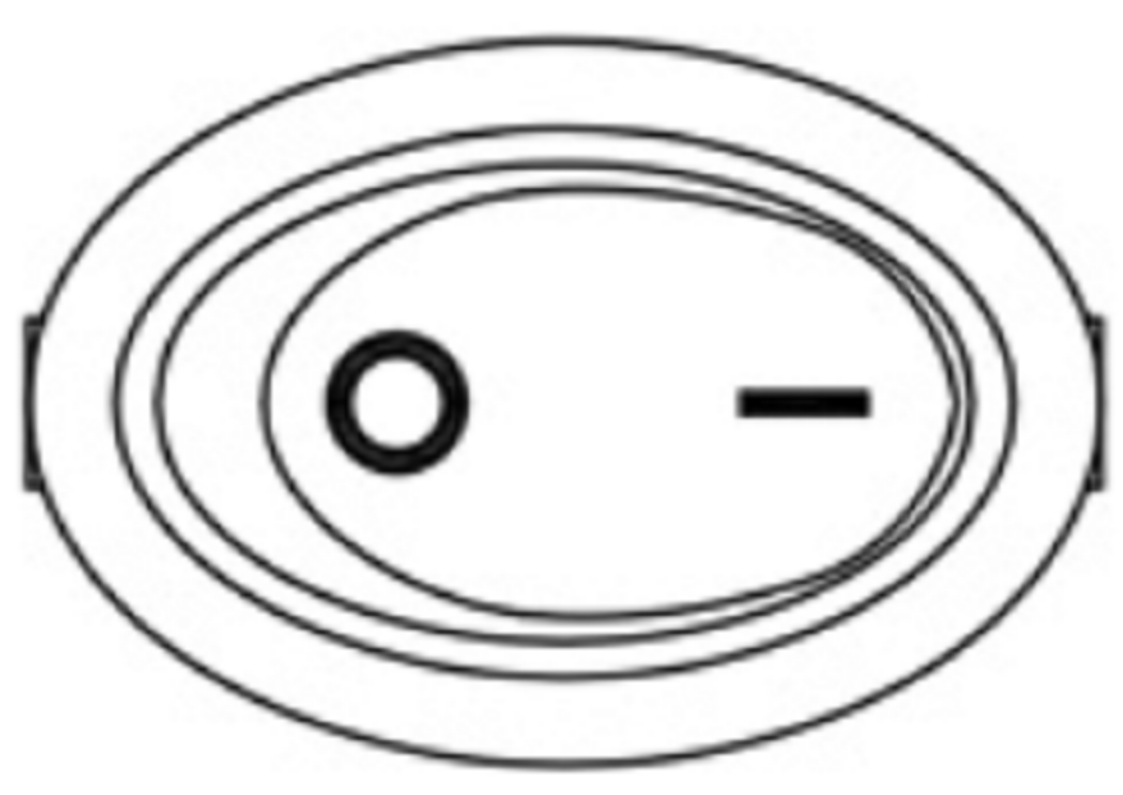




Rating: 12A 125VAC
 10A 250VAC(CQC / ENEC/CB)
 Contact Resistance: 50m Ω max
 Insulation Resistance: DC 500V 100M Ω min.
 Dielectric Strength: AC 1500V 1 minute
 Operating Force: 350 ± 100gf
 Mechanical Life: Over 50,000 cycles
 Electrical Life: Over 10,000 cycles
 Operating Temperature: -20° C ~ +85° C
 Safety Approval: CQC EN EC 05 KEMA



x	0	1	2	4	5
Marking	None	●	ON OFF	○ 	○


广东科斯达电子科技有限公司
 GUANG DONG KE SI DA ELECTRONIC TECHNOLOGY CO., LTD.

TOLERANCE UNLESS OTHERWISE STATED: Up to 5 ±0.2, Above 5 ~ 15 ±0.3, Above 15 ~ 30 ±0.4, Above 30 ~ 50 ±0.5, Angle ±0.3
 3RD. ANGEL'S
 UNITS MM

DRAWN BY:	DATE	MAT'L	TITLE	SWITCH
Jack Lu	12/27/22		MODLE	TACT SWITCH WITH LED
CHECKED BY:	DATE	FINISH	DWG NO.	
Jacky Chen	12/27/22		PART NO.	
APPROVED BY:	DATE	SCALE	1 : 1	
Tony Kao	12/27/22	SHEET NO.	1 of 1	

ITEM NO.	DESCRIPTION	DRAWN	DATE

SIZE	A4
VER	R