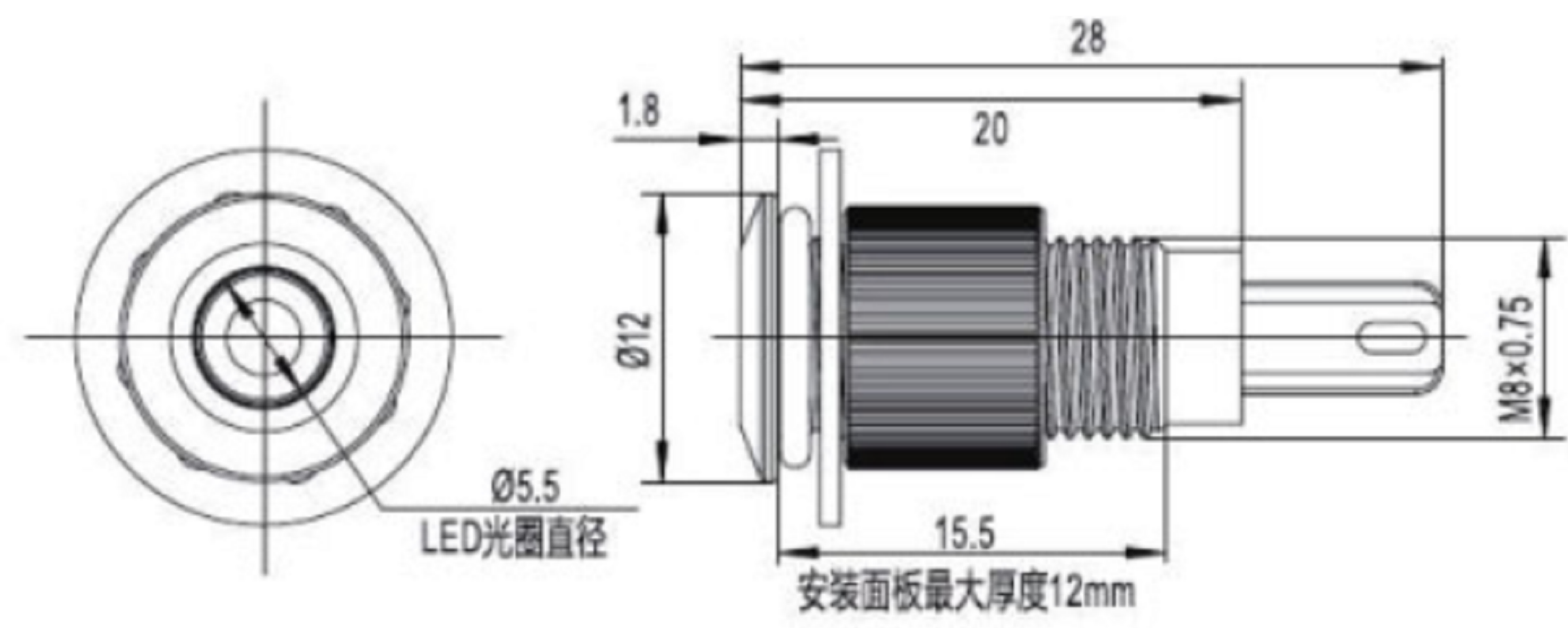




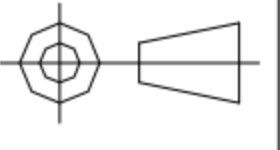
安裝尺寸Diameter: Φ 8mm
 燈珠類型Type: LED
 燈珠顏色Color: R G Y O B W
 電壓等級Voltage Rating: \leq 220V
 額定電流Rated Current:
 約15mA About 15mA
 外殼材料The Crust Material:
 S/不銹鋼 Stainless steel N/黃銅鍍鉻 Copper plating
 防護等級IP Degree: IP67, IK10




广东科斯达电子科技有限公司
 GUANG DONG KE SI DA ELECTRONIC TECHNOLOGY CO., LTD.

TOLERANCE UNLESS OTHERWISE STATED:

Up to 5	± 0.2
Above 5 ~ 15	± 0.3
Above 15 ~ 30	± 0.4
Above 30 ~ 50	± 0.5
Angle	± 0.3

 3RD. ANGEL'S  UNITS MM

DRAWN BY:	DATE	MAT'L	TITLE	SWITCH
Jack Lu	12/27/22		MODLE	TACT SWITCH WITH LED
CHECKED BY:	DATE	FINISH	DWG NO.	SIZE
Jacky Chen	12/27/22			A4
APPROVED BY:	DATE	SCALE	PART NO.	VER
Tony Kao	12/27/22	1:1		R
		SHEET NO.		
		1 of 1		

ITEM NO.	DESCRIPTION	DRAWN	DATE