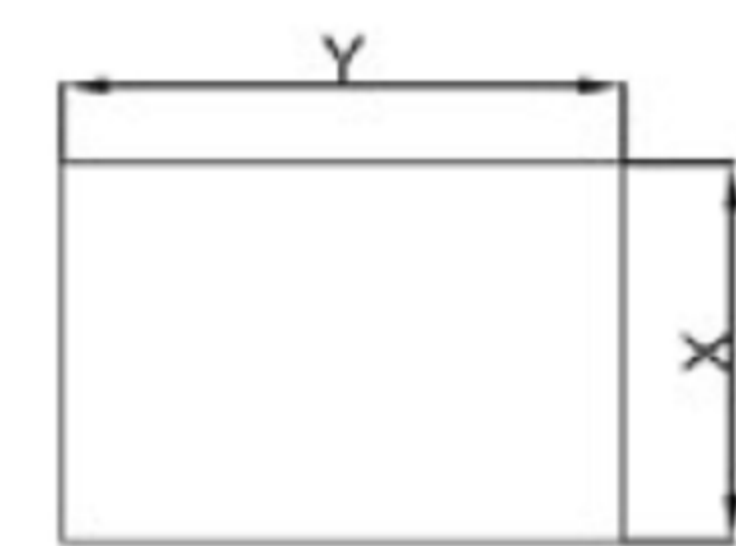
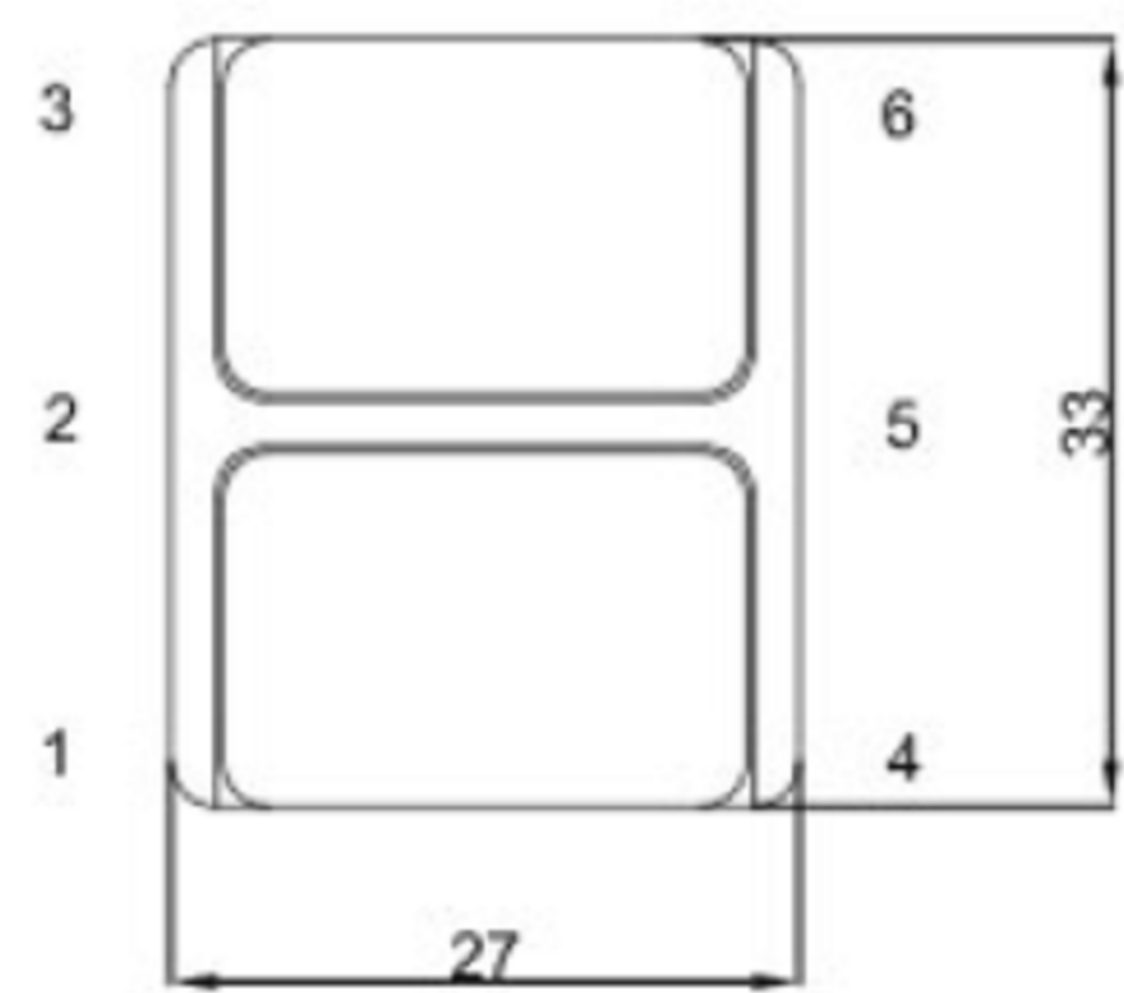
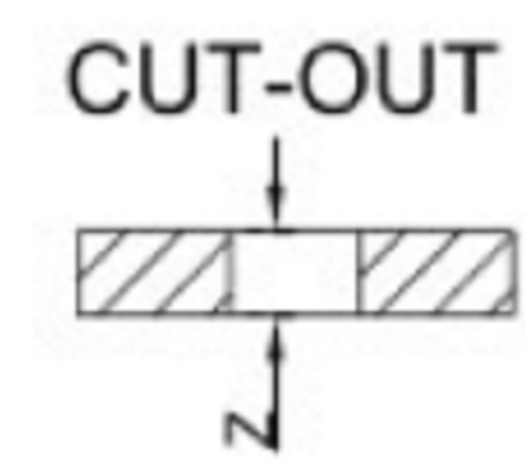
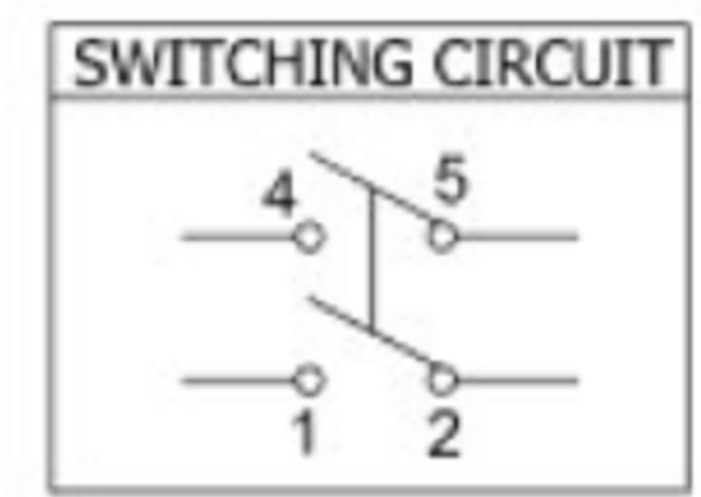


**RATING: 25A 125VAC**  
**Degree of protection: IP55**  
**Contact Resistance: 20m Ω (Max)**  
**Insulation Resistance: DC 500V 100M Ω (Min)**  
**Dielectric Strength: AC1500V 1 minute**  
**Operating Force: 500±200gf**  
**Mechanical Life: 50,000 cycles**  
**Load Life: 10,000 cycles**  
**Operating Temperature: 0°C~85°C**



| Z         | X         | Y         |
|-----------|-----------|-----------|
| 0.70~1.25 | 22.0~22.3 | 30.2~30.3 |
| 1.25~2.00 | 22.0~22.3 | 30.6~30.7 |
| 2.00~3.00 | 22.0~22.3 | 30.8~30.9 |




**广东科斯达电子科技有限公司**  
**GUANG DONG KE SI DA ELECTRONIC TECHNOLOGY CO., LTD.**

TOLERANCE UNLESS OTHERWISE STATED: Up to 5 ±0.2, Above 5 ~ 15 ±0.3, Above 15 ~ 30 ±0.4, Above 30 ~ 50 ±0.5, Angle ±0.3  
 3RD. ANGEL'S  
 UNITS MM

|              |          |          |         |                      |
|--------------|----------|----------|---------|----------------------|
| DRAWN BY:    | DATE     | MAT'L    | TITLE   | SWITCH               |
| Jack Lu      | 12/27/22 |          |         |                      |
| CHECKED BY:  | DATE     | FINISH   | MODLE   | TACT SWITCH WITH LED |
| Jacky Chen   | 12/27/22 |          |         |                      |
| APPROVED BY: | DATE     | SCALE    | DWG NO. |                      |
| Tony Kao     | 12/27/22 | 1 : 1    |         |                      |
| SHEET NO.    | 1 of 1   | PART NO. |         |                      |
|              |          |          |         | SIZE A4              |
|              |          |          |         | VER R                |

| ITEM NO. | DESCRIPTION | DRAWN | DATE |
|----------|-------------|-------|------|
|          |             |       |      |