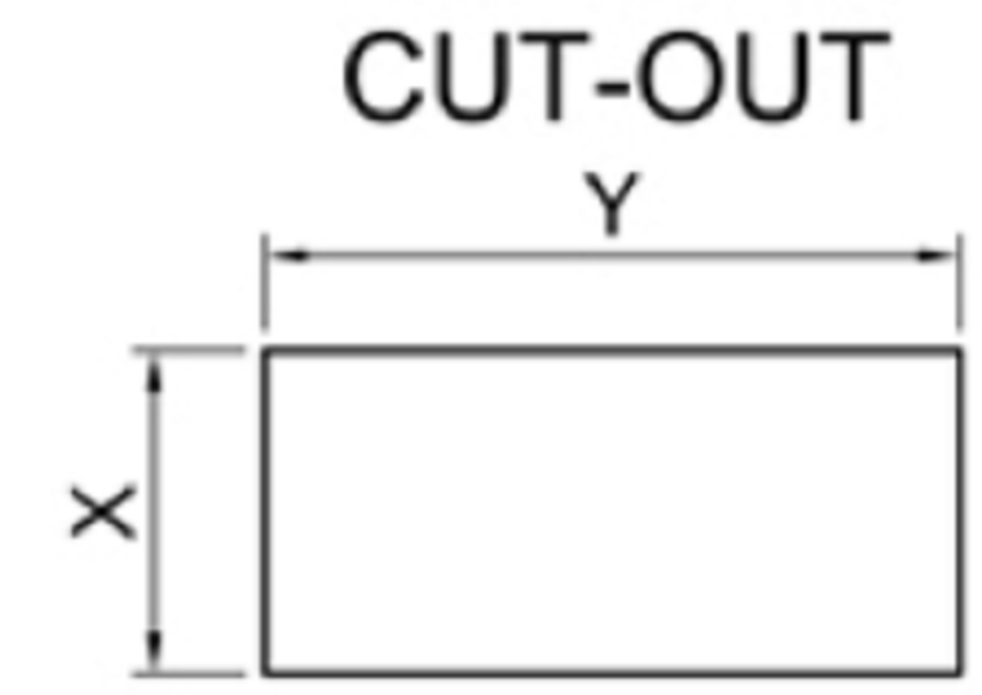
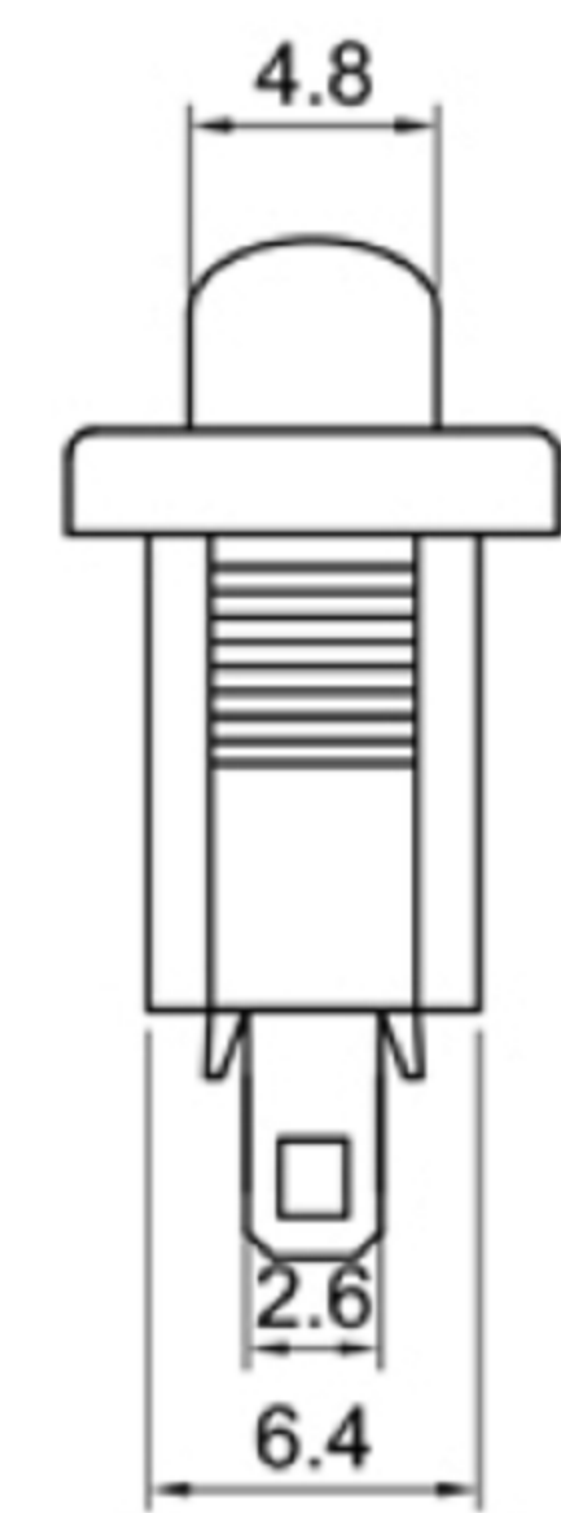
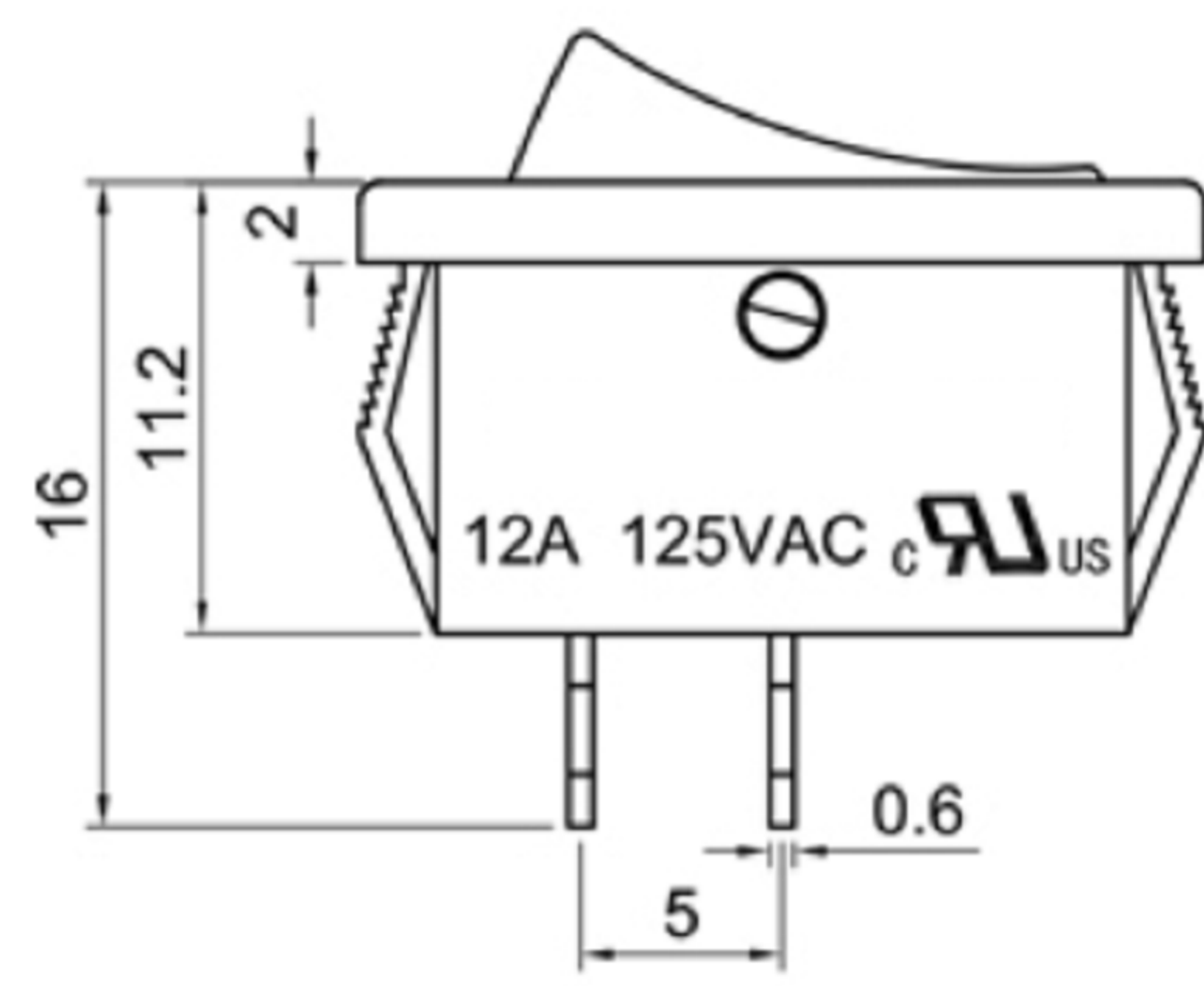
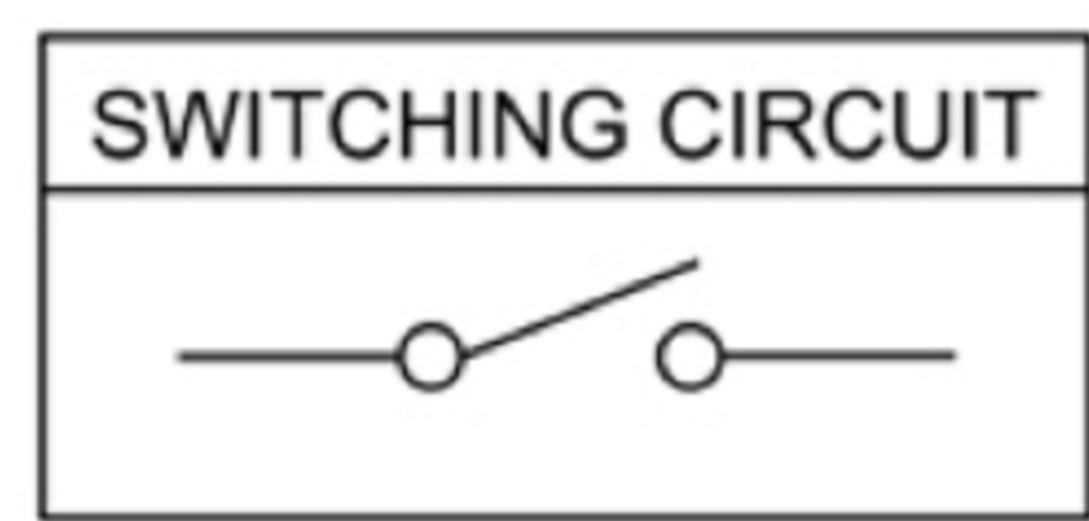


Rating: 12A 125V AC
 10A 250V AC (CQC ENEC)
 Contact Resistance: 20mΩ Max
 Insulation Resistance: DC 500V 100MΩ Min
 Dielectric Strength: AC1500V 1 minute
 Operating Force: 300±100gf
 Mechanical Life: 50,000 cycles
 Load Life: 10,000 cycles
 Operating Temperature: 0°C~85°C



	X	Y
0.75~1.25	6.5±0.1	19.1-0.1
1.25~2.00	6.5±0.1	19.2-0.1
2.00~3.00	6.5±0.1	19.3-0.1



	0	1	2	3	4	5
Marking	None	•	ON OFF	≡	○ -	○


广东科斯达电子科技有限公司
 GUANG DONG KE SI DA ELECTRONIC TECHNOLOGY CO., LTD.

TOLERANCE UNLESS OTHERWISE STATED:

Up to 5	±0.2
Above 5 ~ 15	±0.3
Above 15 ~ 30	±0.4
Above 30 ~ 50	±0.5
Angle	±0.3°

 3RD. ANGEL'S

 UNITS MM

DRAWN BY:	DATE	MAT'L	TITLE	SWITCH
Jack Lu	12/27/22		MODLE	TACT SWITCH WITH LED
CHECKED BY:	DATE	FINISH	DWG NO.	
Jacky Chen	12/27/22		SHEET NO.	1 of 1
APPROVED BY:	DATE	SCALE	PART NO.	
Tony Kao	12/27/22	1:1		

ITEM NO.	DESCRIPTION	DRAWN	DATE