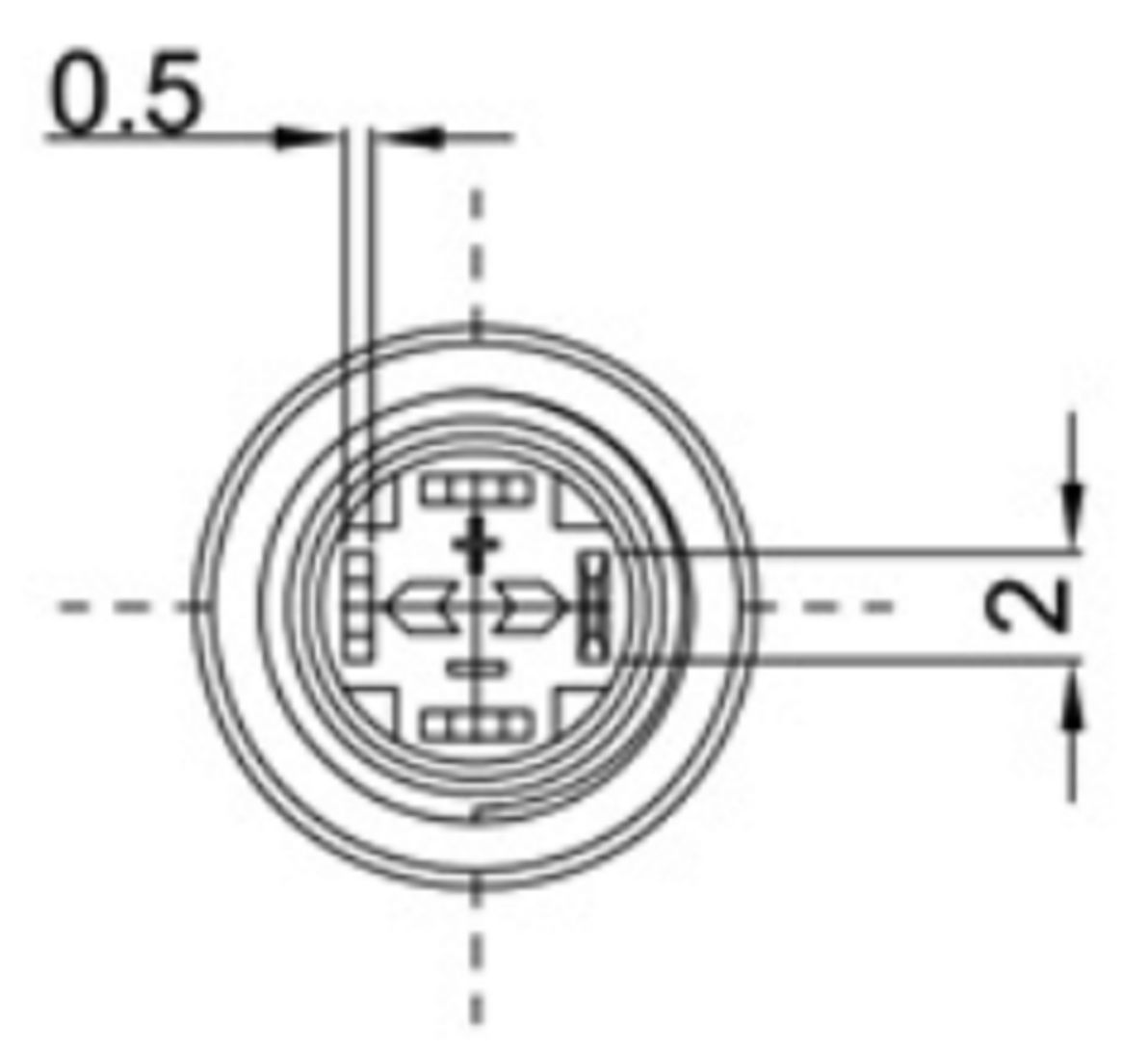
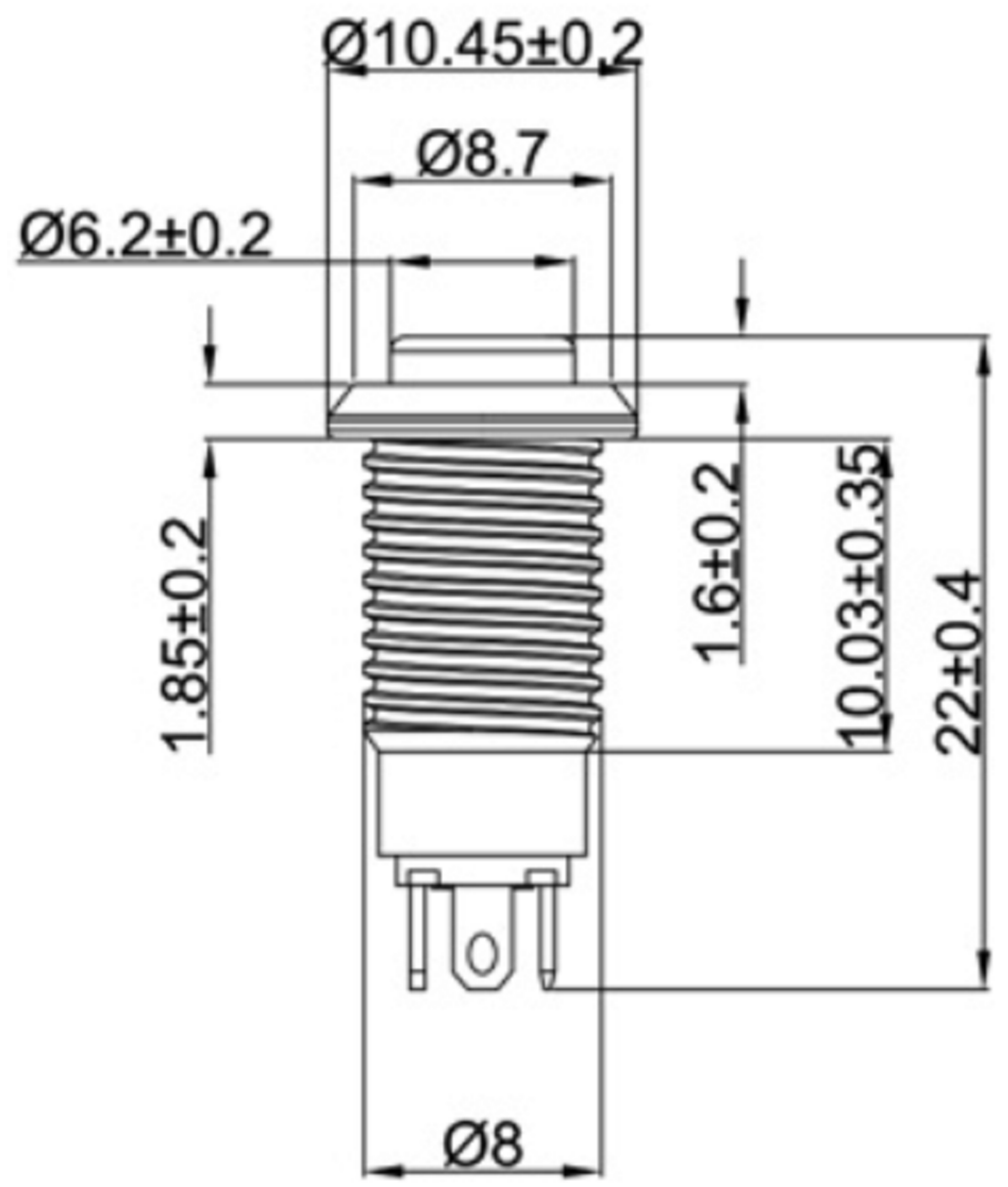


SPECIFICATIONS

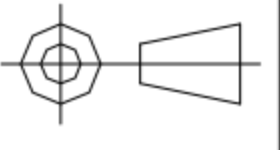
Circuit	:SPST
Current rating	:0.5A
Voltage rating	:250VAC
Dielectric withstanding voltage	:1000VAC for 1 minute
Contact resistance	:50mΩ Max
Insulation resistance	:100MΩ Min
Travel	:2.0mm±0.5mm
Operating Force	:600±200gf
Mechanical Life	:Over 100,000 cycles
Electrical Life	:Over 50,000 cycles
Manual Welding	:350°C for 3 seconds
Function	:OFF-ON
Operating temperature	: -20°C ~ +85°C
Level of Protection	: IP65

MATERIAL:

Base: SUS;
 Cap: SUS;
 Terminal: Copper, Golden plated ;
 Nut: Brass, NI Plated .



 **广东科斯达电子科技有限公司**
 GUANG DONG KE SI DA ELECTRONIC TECHNOLOGY CO., LTD.

TOLERANCE UNLESS OTHERWISE STATED:	Up to 5 ±0.2	Above 5 ~ 15 ±0.3	Above 15 ~ 30 ±0.4	Above 30 ~ 50 ±0.5	Angle ±0.3	3RD. ANGEL'S		UNITS	MM
------------------------------------	--------------	-------------------	--------------------	--------------------	------------	--------------	---	-------	----

DRAWN BY:	DATE	MAT'L	TITLE	SWITCH
Jack Lu	12/27/22			
CHECKED BY:	DATE	FINISH	MODLE	TACT SWITCH WITH LED
Jacky Chen	12/27/22			
APPROVED BY:	DATE	SCALE	DWG NO.	SIZE
Tony Kao	12/27/22	1 : 1		A4
		SHEET NO.	PART NO.	VER
		1 of 1		R

ITEM NO.	DESCRIPTION	DRAWN	DATE