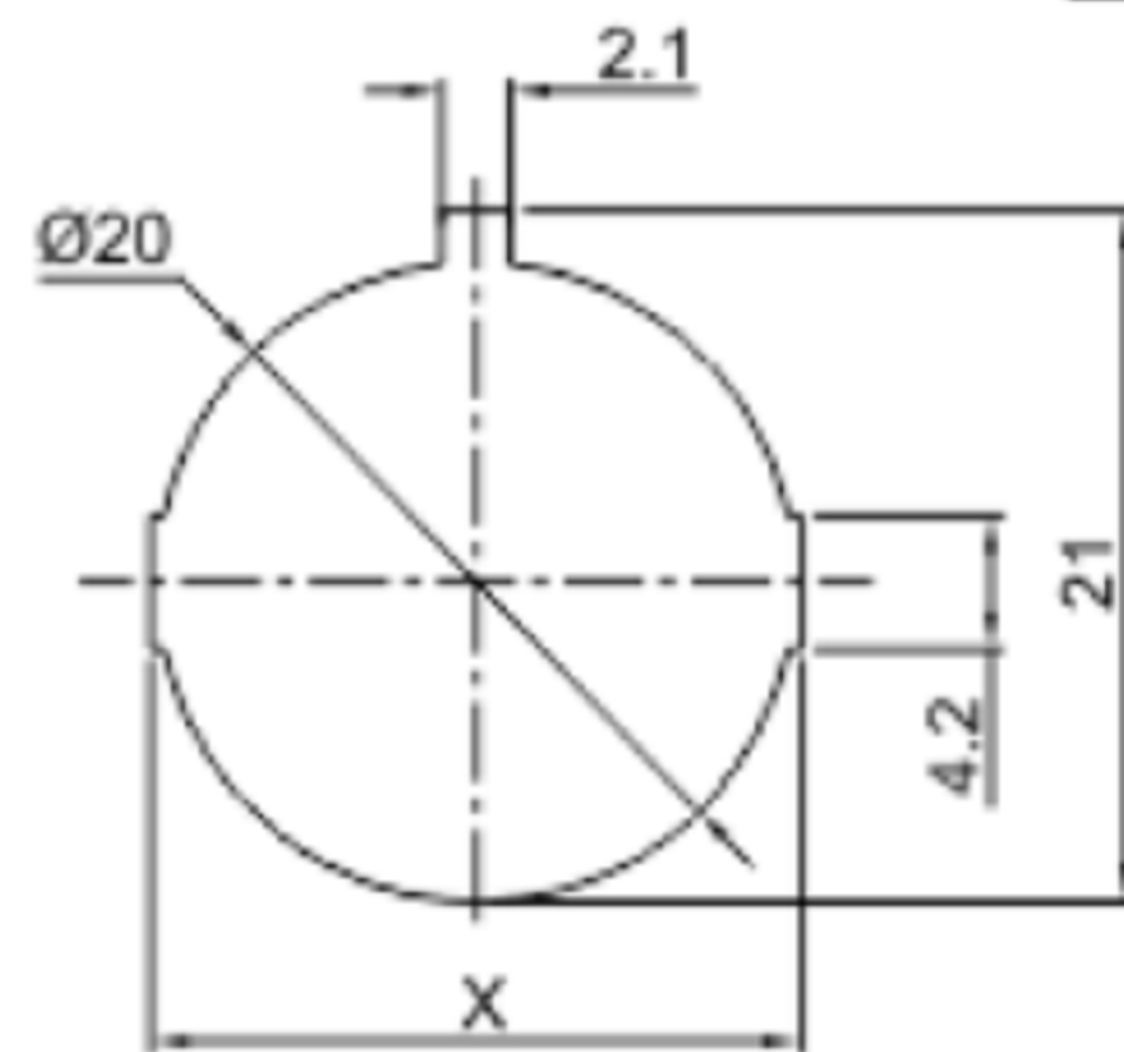
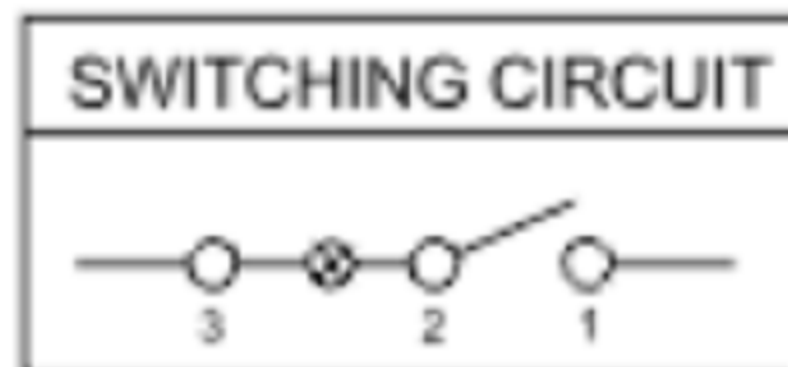


CUT-OUT



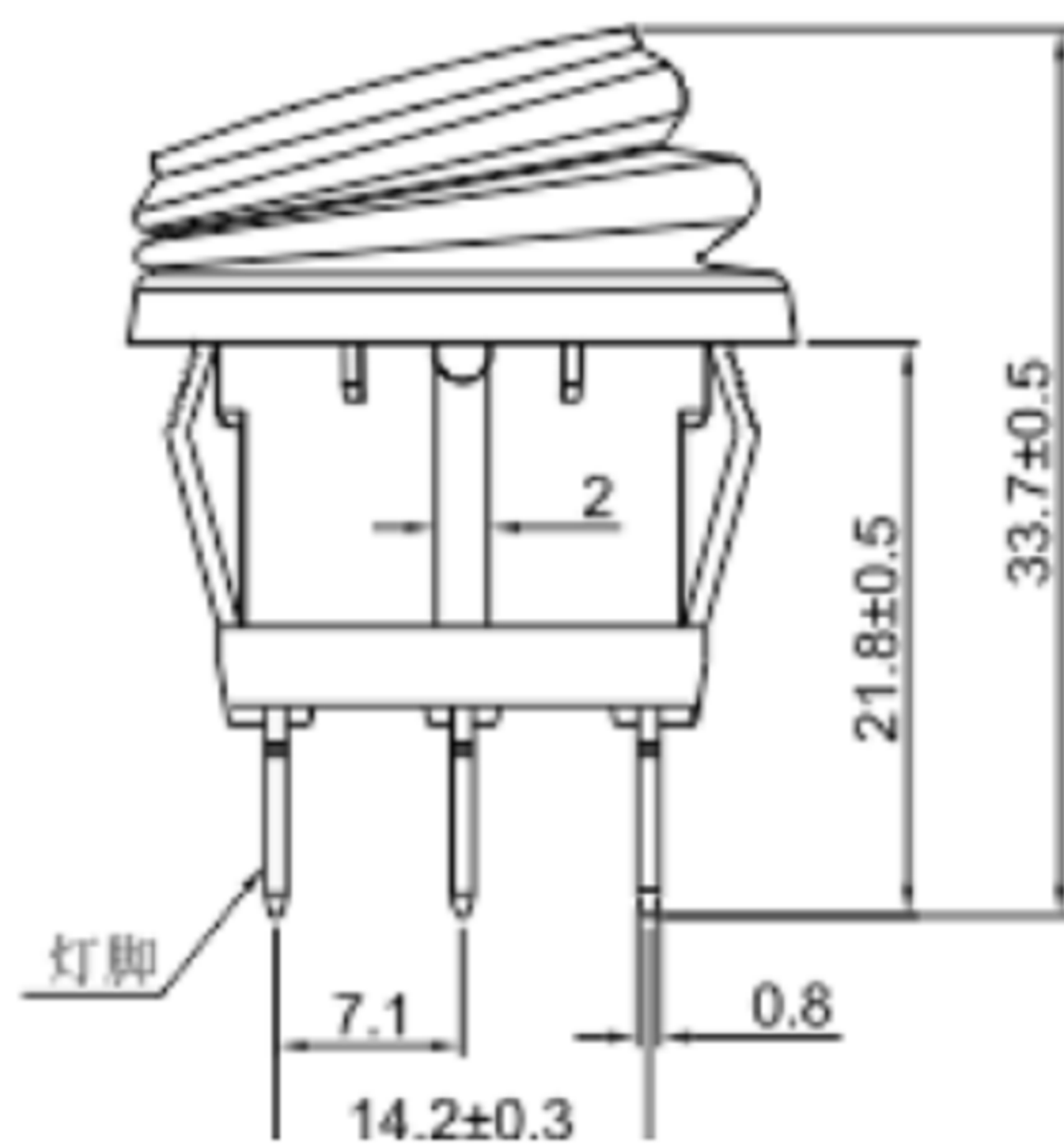
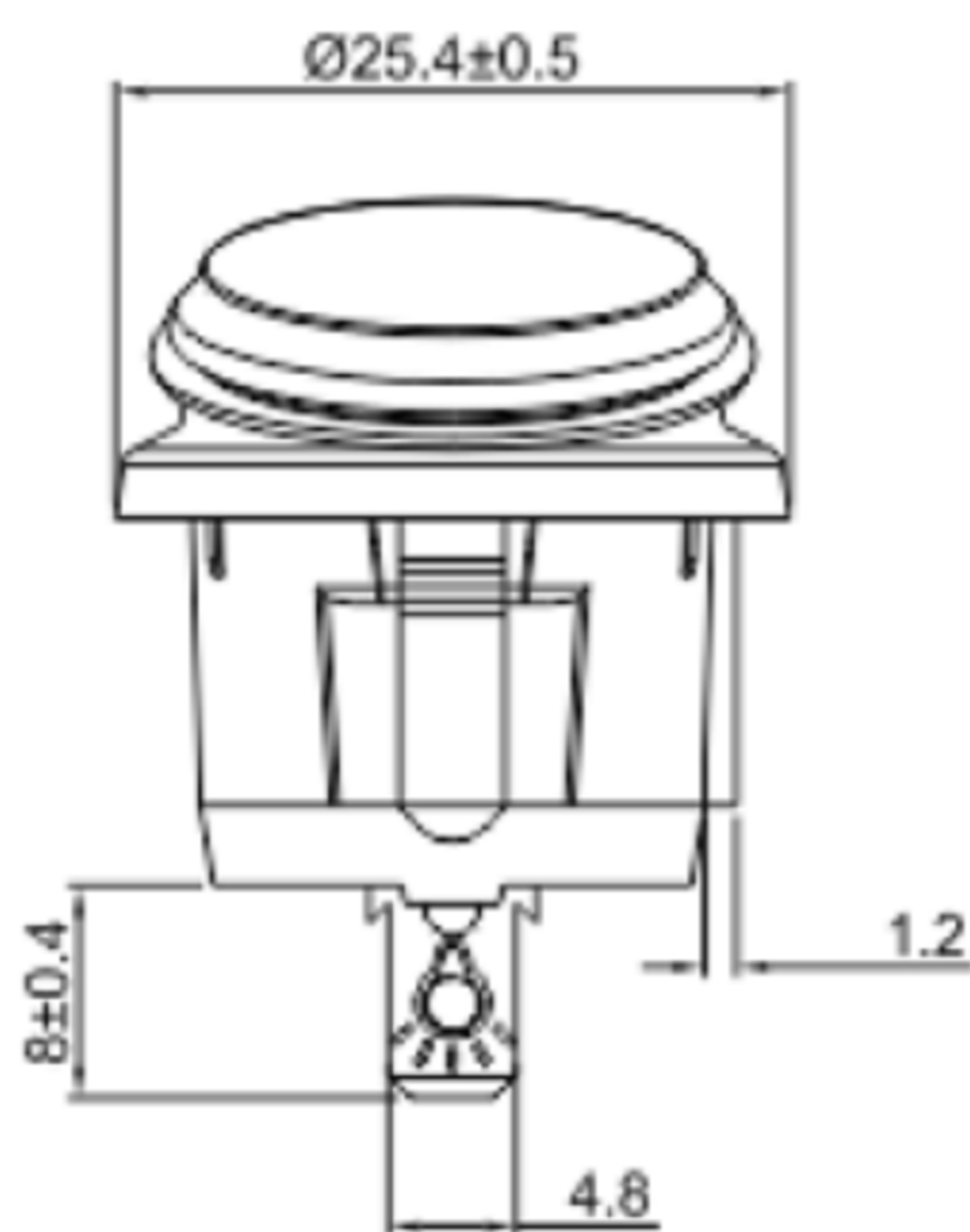
	X
0.75~1.25	20.2
1.25~2.00	20.4
2.00~3.00	20.6

x	0	1	2	3	4	5
Marking	None					



MATERIAL:

Body: Nylon66, UL rated: 94V-2 min
 Actuator: Nylon66, UL rated: 94V-2 min
 Terminal: Brass, silver or tin plated



广东科斯达电子科技有限公司
 GUANG DONG KE SI DA ELECTRONIC TECHNOLOGY CO., LTD.

TOLERANCE UNLESS OTHERWISE STATED:
 Up to 5 ±0.2
 Above 5 ~ 15 ±0.3
 Above 15 ~ 30 ±0.4
 Above 30 ~ 50 ±0.5
 Angle ±0.3

3RD. ANGEL'S

UNITS MM

DRAWN BY:	DATE	MAT'L	TITLE	SWITCH
Jack Lu	12/27/22	FINISH	MODLE	TACT SWITCH WITH LED
CHECKED BY:	DATE	SCALE	DWG NO.	
Jacky Chen	12/27/22	1:1	PART NO.	
APPROVED BY:	DATE	SHEET NO.		
Tony Kao	12/27/22	1 of 1		

ITEM NO.	DESCRIPTION	DRAWN	DATE

SIZE
A4
VER
R