

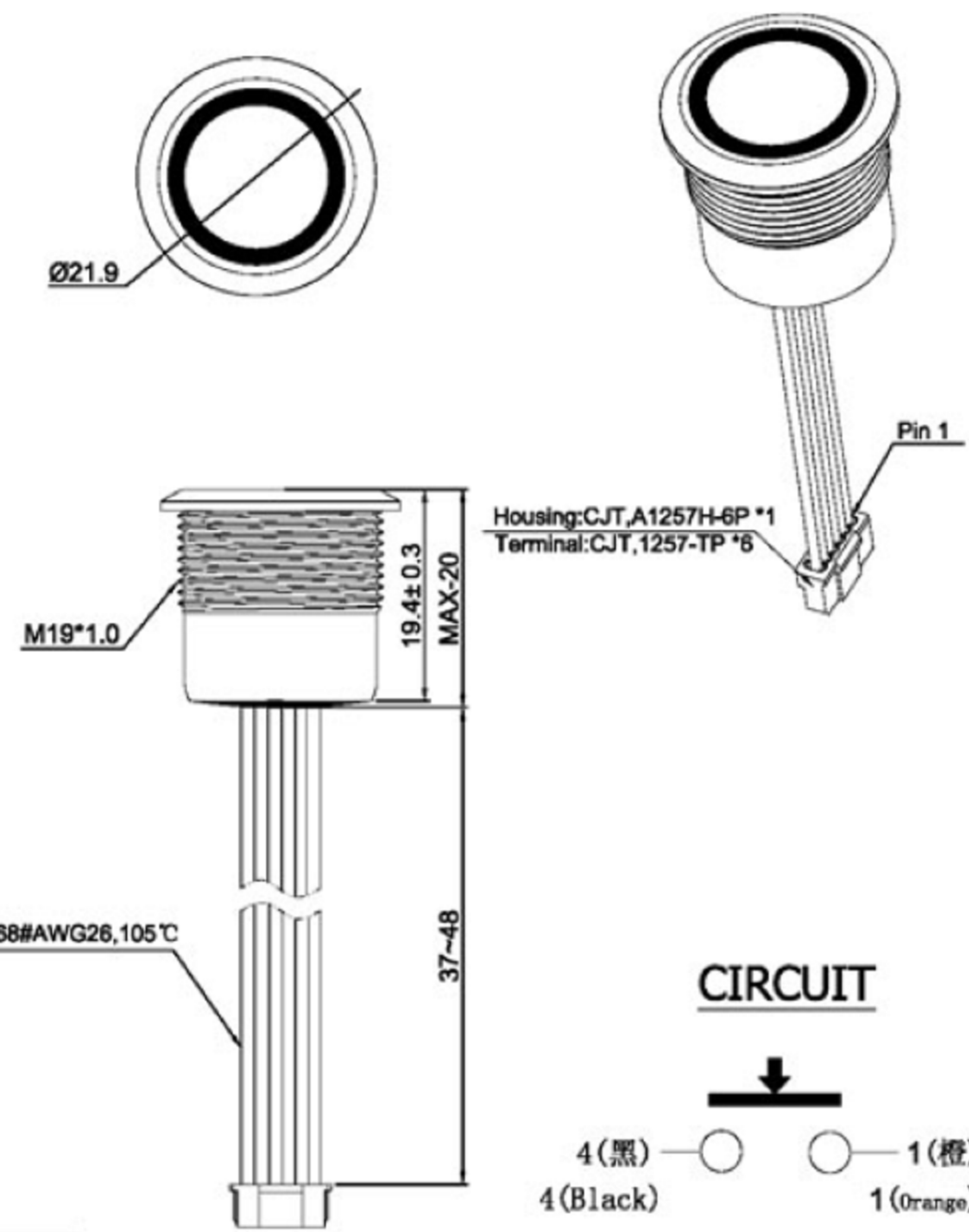


PTM19



SPECIFICATIONS

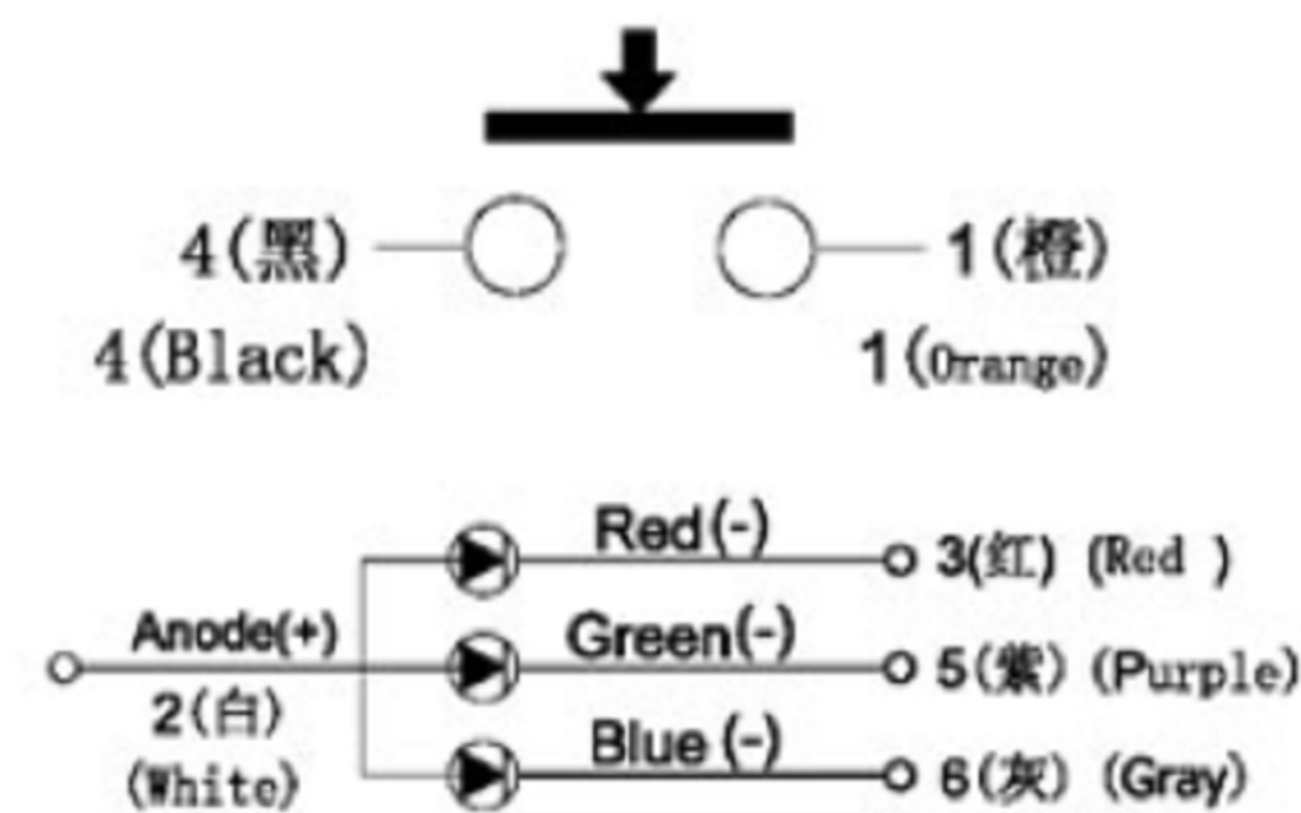
- Rating: 1 to 50mA ;
3 to 24VDC ;
- Degree of protection: IEC IP67;
- Contact Resistance: 100mΩ Max. ;
- Dielectric Strength: 250 VAC For 1 minute ;
- Insulation resistance: 100M Ω Min;
- Total Travel: 0.8~1.0 mm ;
- Operating Force: 600± 100gf ;
- Operating life: 100,000 cycles Min;
- LED Life: 50,000 hours;
- LED Rating: 20mA Max;
3 to 24VDC ;



Switch the material:

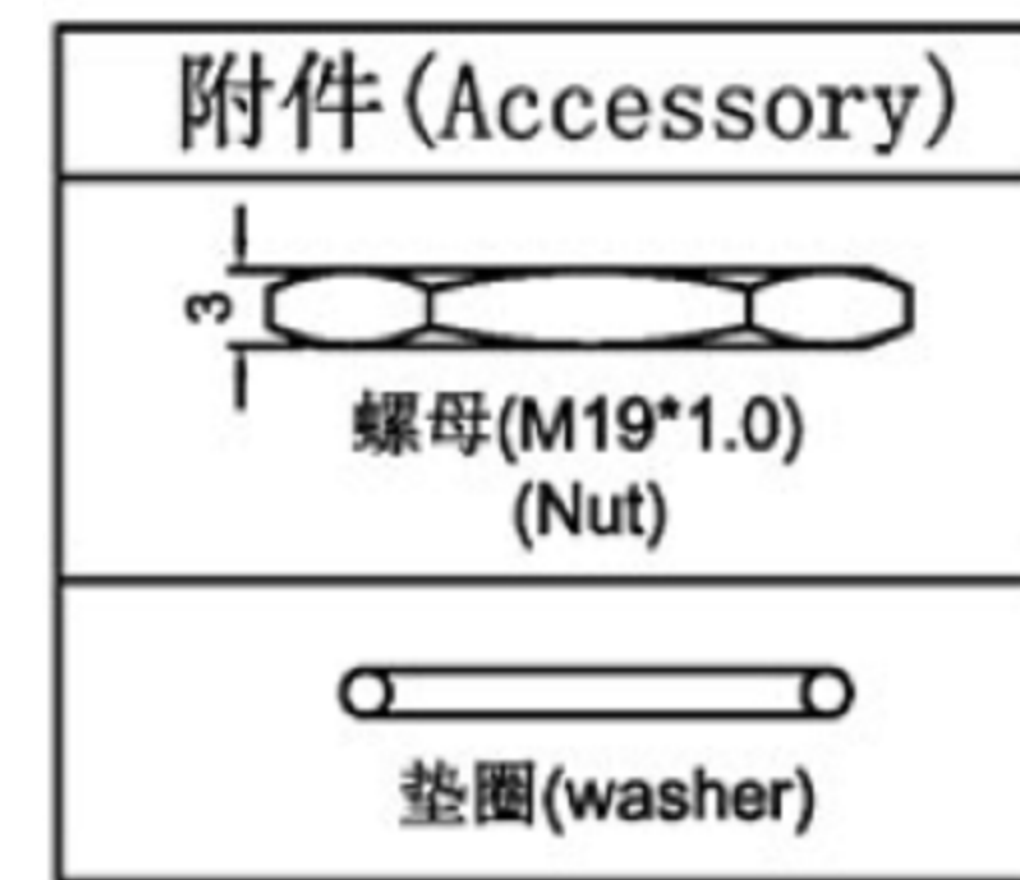
- 1.Shell material: Aluminium Alloy;
- 2.Key: PC;
- 3.Back shroud: PA66;
- 4.Supporting plate: POM;

CIRCUIT



- 1. Orange: Function
- 2. White: Anode(+)
- 3. Red: Red(-)
- 4. Black: Function
- 5. Purple: Green(-)
- 6. Gray: Blue(-)

- 1. 橙色: 开关功能
- 2. 白色: 共阳极
- 3. 红色: 红灯负极
- 4. 黑色: 开关功能
- 5. 紫色: 绿灯负极
- 6. 灰色: 蓝灯负极



PAD LAYOUT



 **广东科斯达电子科技有限公司**
GUANG DONG KE SI DA ELECTRONIC TECHNOLOGY CO., LTD.

TOLERANCE UNLESS OTHERWISE STATED: Up to 5 ±0.2, Above 5 ~ 15 ±0.3, Above 15 ~ 30 ±0.4, Above 30 ~ 50 ±0.5, Angle ±0.3. 3RD. ANGEL'S UNITS MM

DRAWN BY:	DATE	MAT'L	TITLE	SWITCH
Jack Lu	12/27/22		MODLE	TACT SWITCH WITH LED
CHECKED BY:	DATE	FINISH	DWG NO.	SIZE
Jacky Chen	12/27/22			A4
APPROVED BY:	DATE	SCALE	PART NO.	VER
Tony Kao	12/27/22	1:1		R
		SHEET NO.		
		1 of 1		

ITEM NO.	DESCRIPTION	DRAWN	DATE