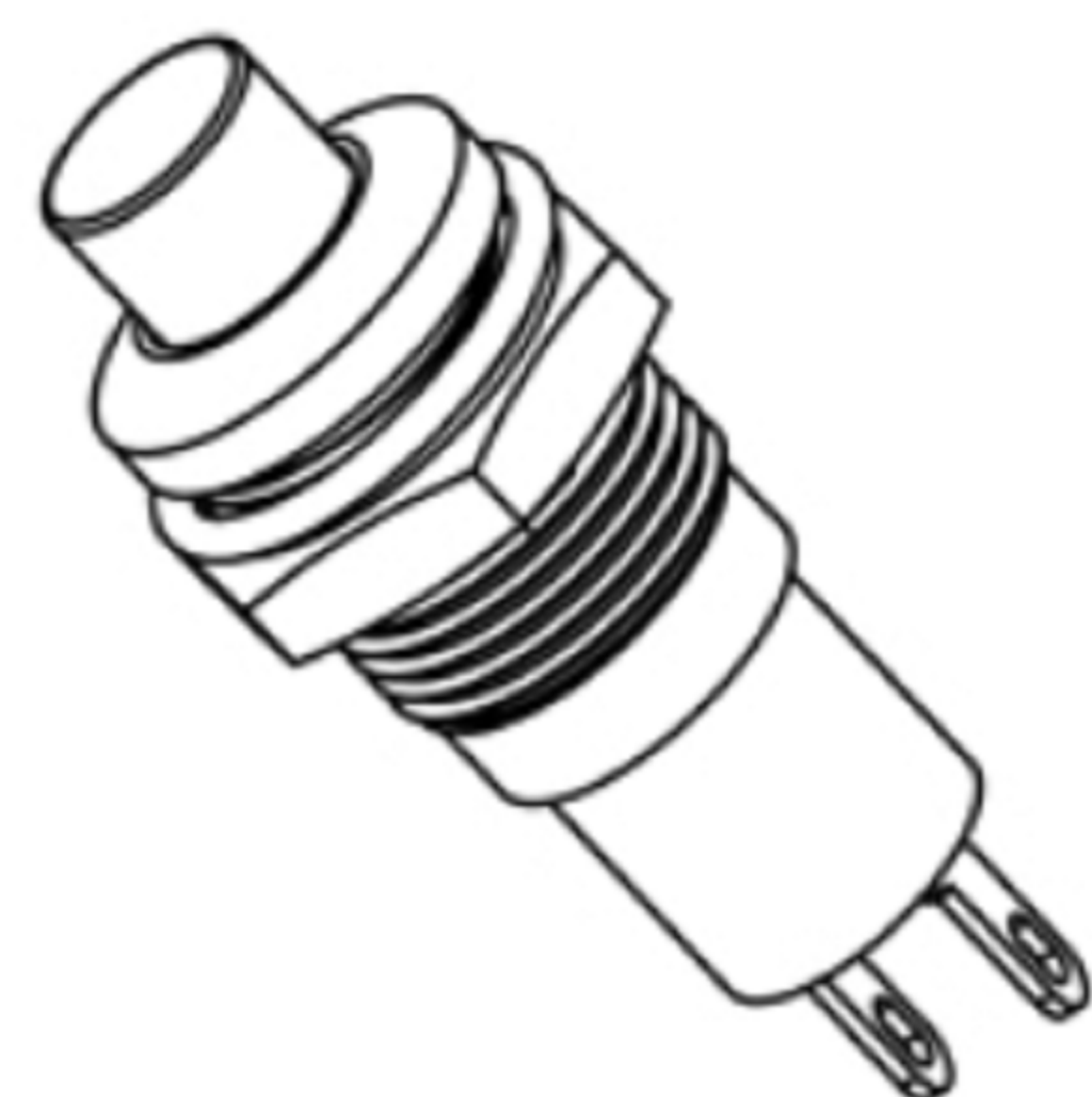
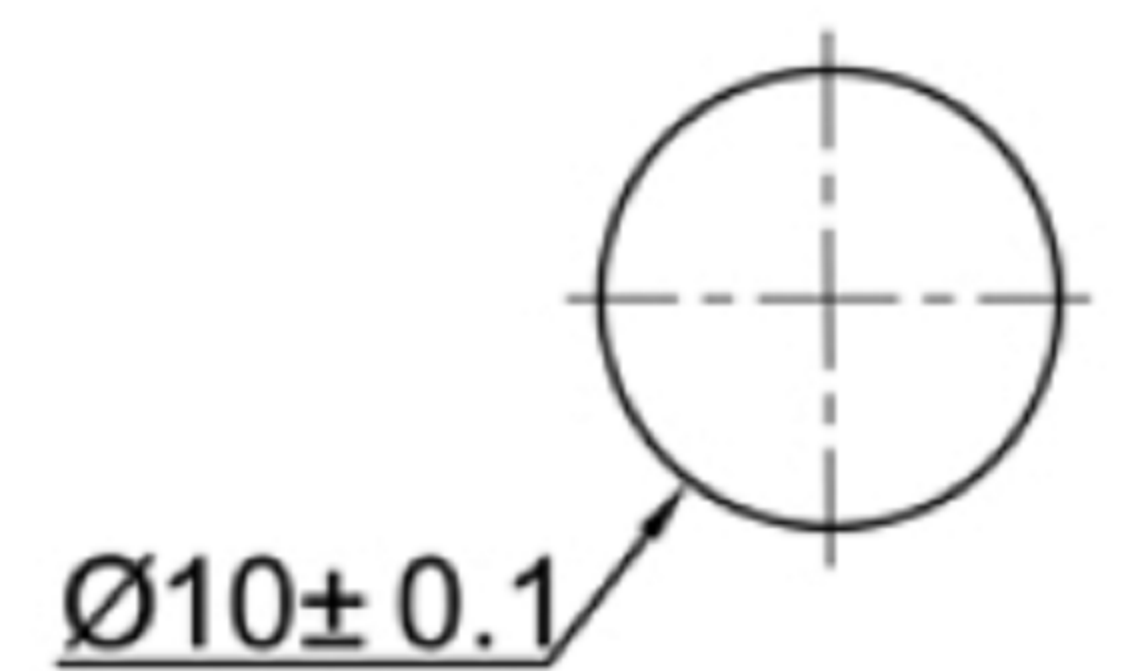




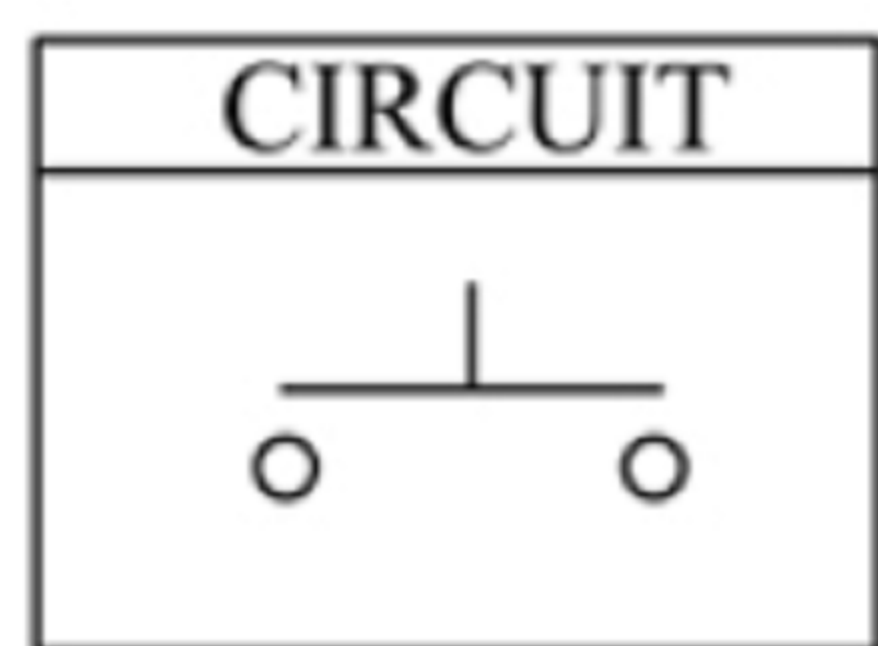
Rating: 1A 36VDC
 1A 125VAC / 0.5A 250VDC
 Contact Resistance: 50mΩ Max.
 Insulation Resistance: DC 500V 100MΩ Min.
 Dielectric Strength: AC 1000V 1 minute
 Total travel: 2.0±0.5mm
 Operating Force: 400±100gf
 Electrical Life: 10,000 cycles
 Mechanical Life: 5,000 cycles
 Operating Temperature: -20° C~70° C
 Function: OFF - ON



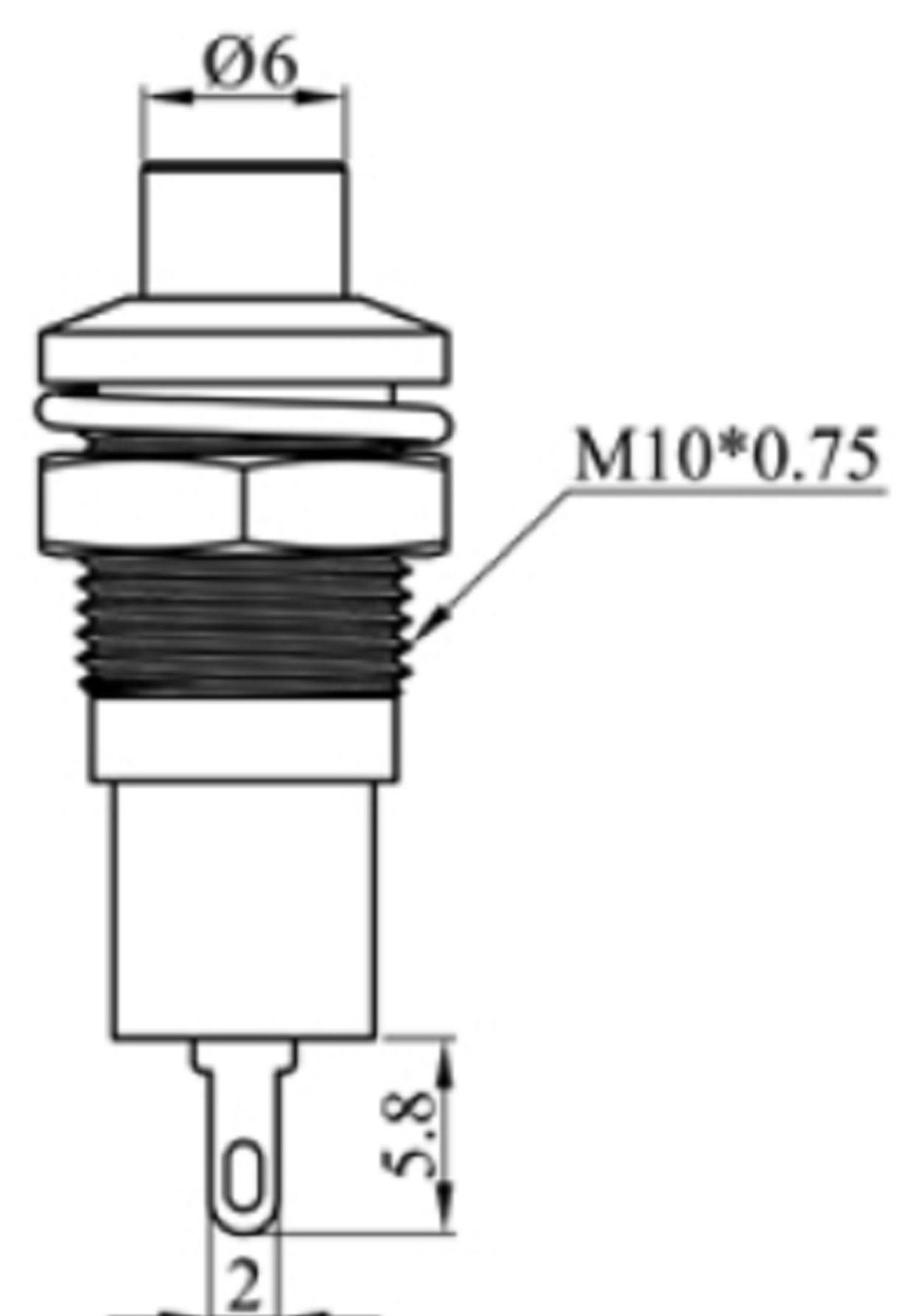
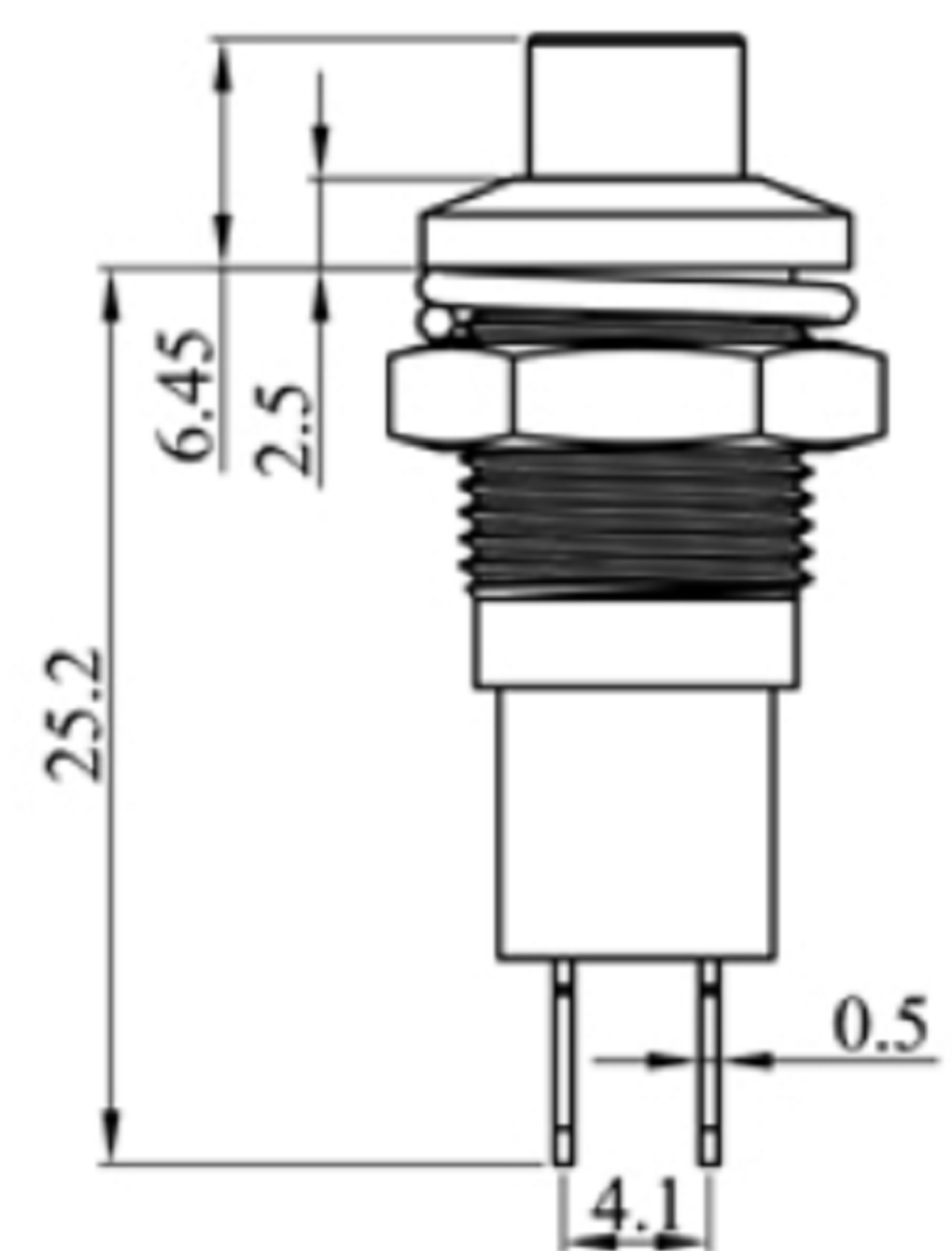
PBM10



CUT-OUT



Panel Thickness: 4mm MAX.




广东科斯达电子科技有限公司
 GUANG DONG KE SI DA ELECTRONIC TECHNOLOGY CO., LTD.

TOLERANCE UNLESS OTHERWISE STATED: Up to 5 ±0.2, Above 5 ~ 15 ±0.3, Above 15 ~ 30 ±0.4, Above 30 ~ 50 ±0.5, Angle ±0.3
 3RD. ANGEL'S
 UNITS MM

DRAWN BY:	DATE	MAT'L	TITLE	SWITCH
Jack Lu	12/27/22			
CHECKED BY:	DATE	FINISH	MODLE	TACT SWITCH WITH LED
Jacky Chen	12/27/22			
APPROVED BY:	DATE	SCALE	DWG NO.	SIZE
Tony Kao	12/27/22	1 : 1		A4
		SHEET NO.	PART NO.	VER
		1 of 1		R

ITEM NO.	DESCRIPTION	DRAWN	DATE