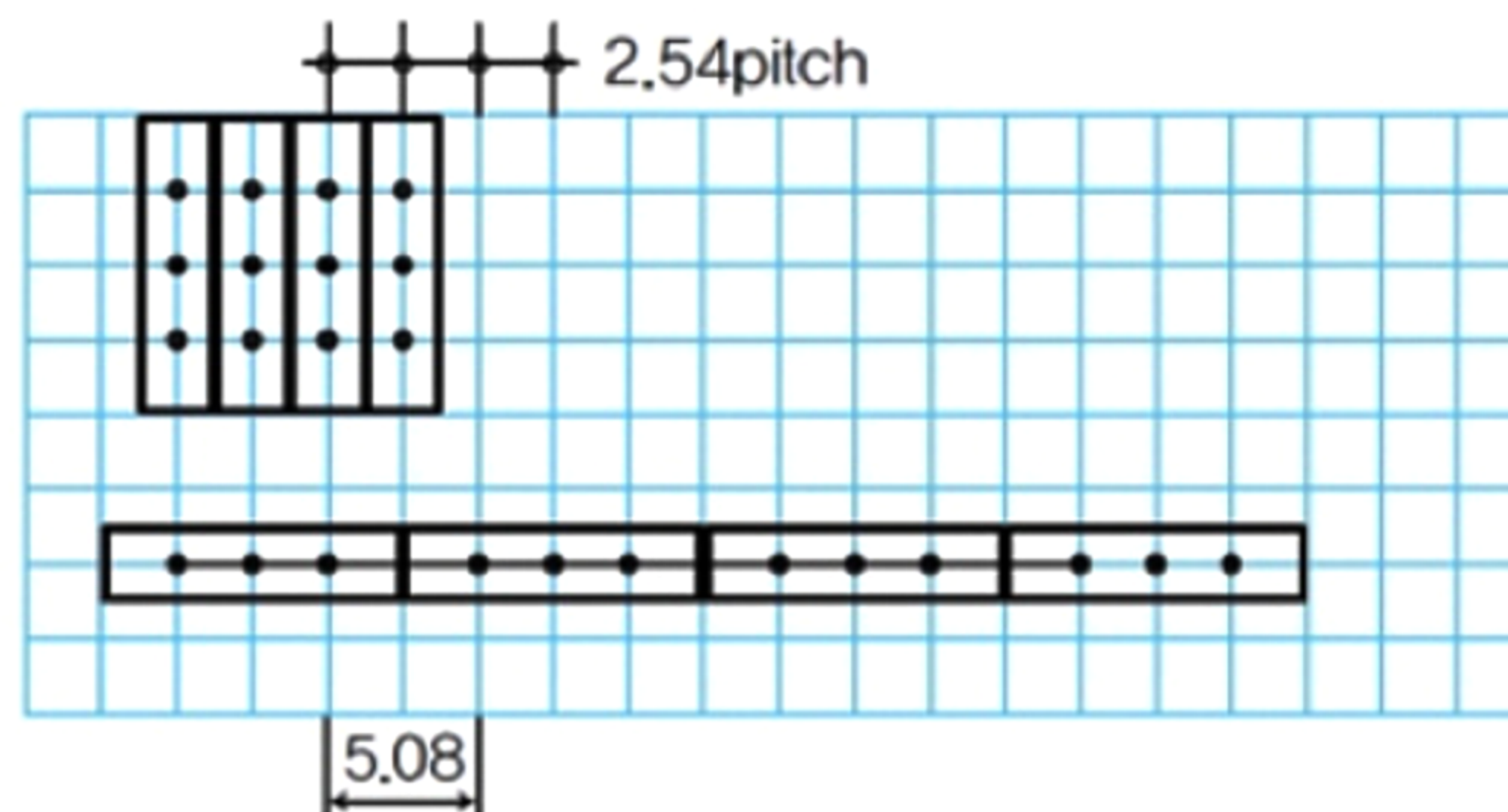


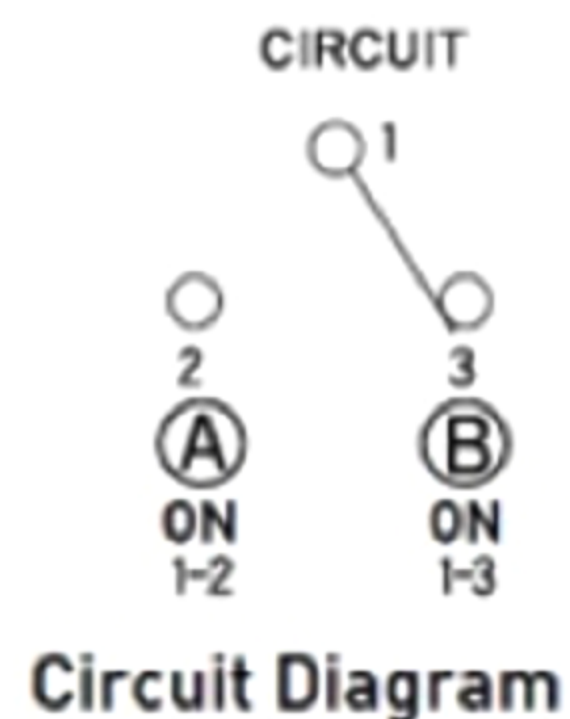
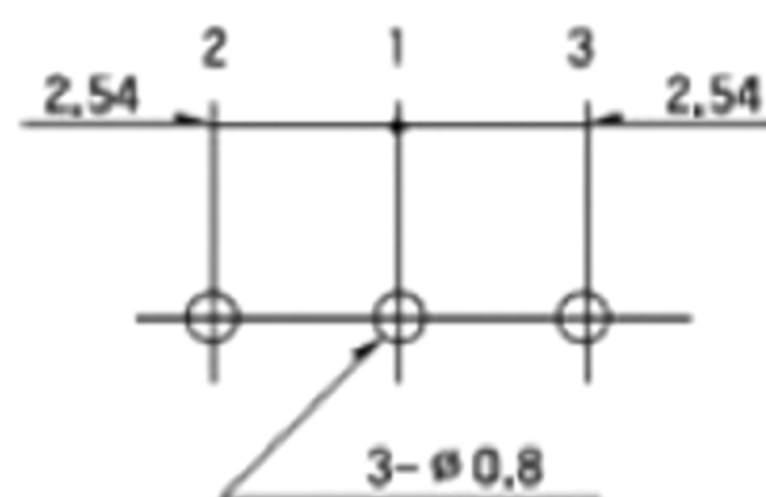
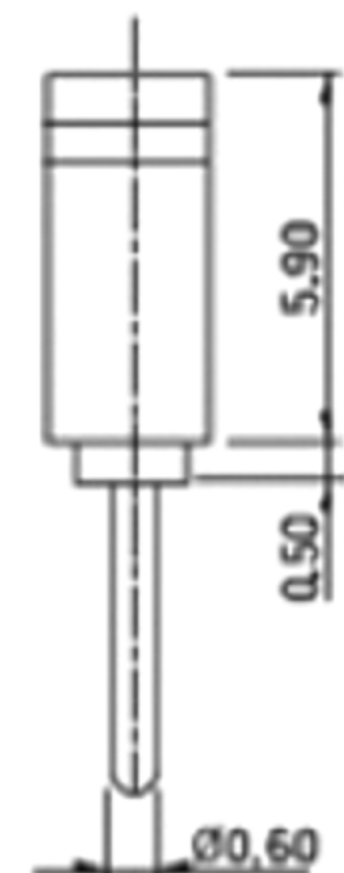
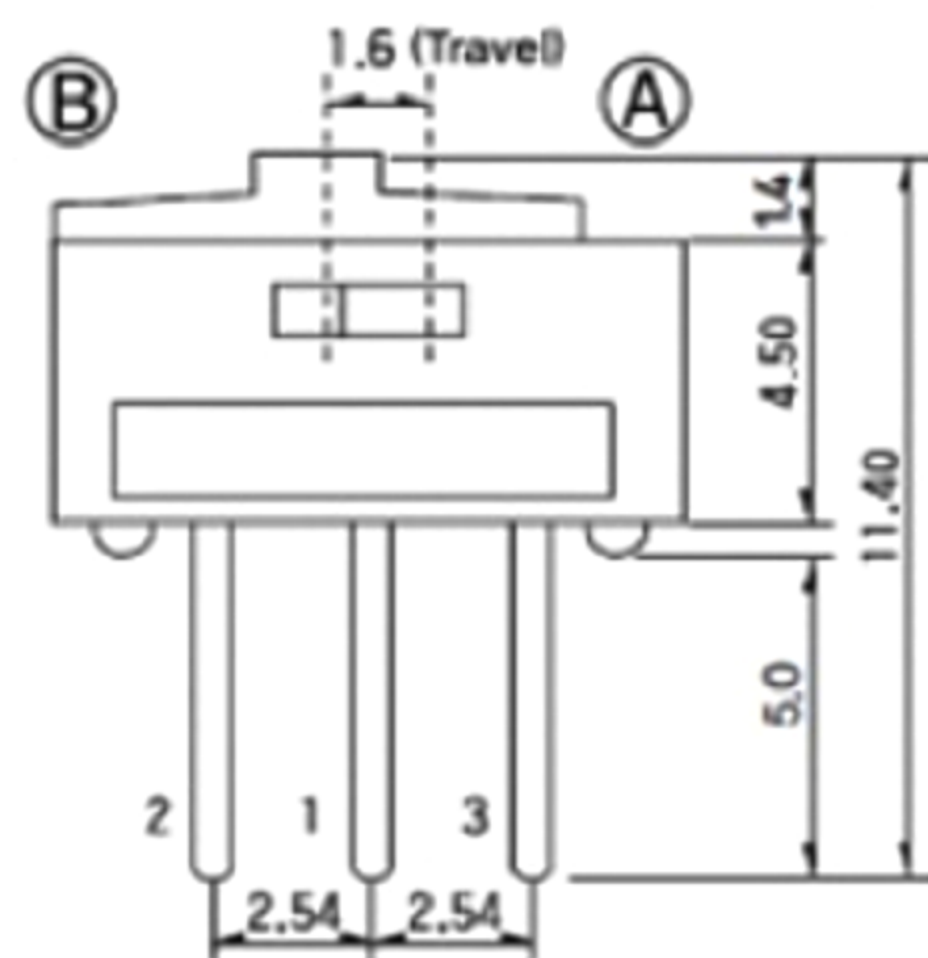
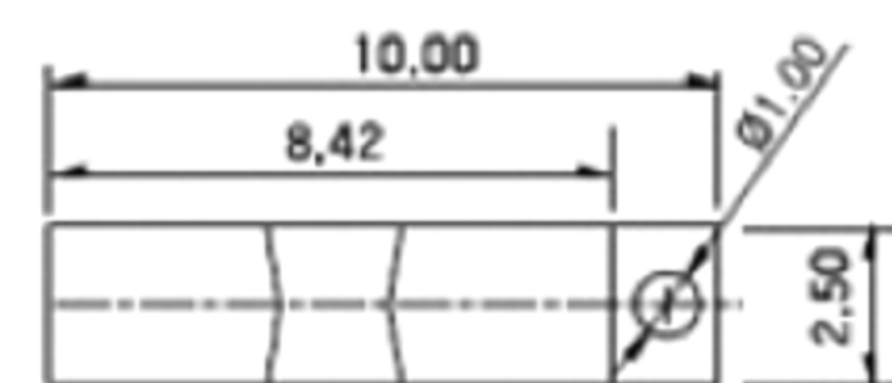


MODULAR BUILDING BLOCK

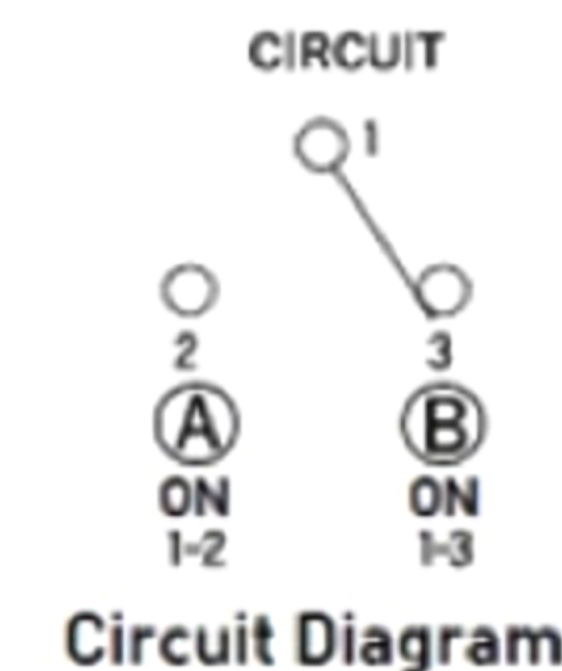
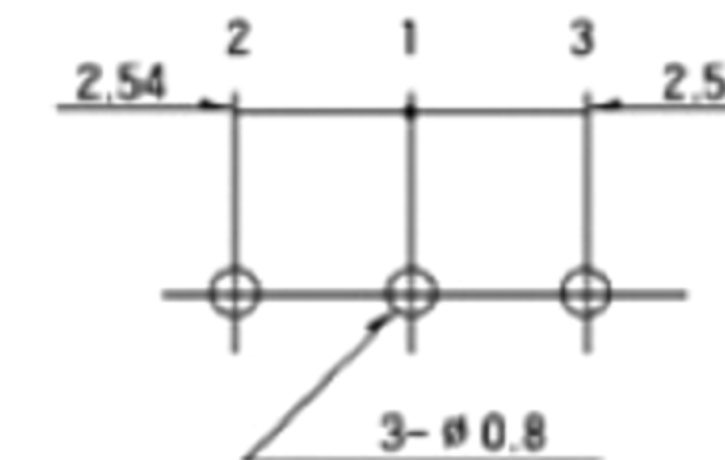
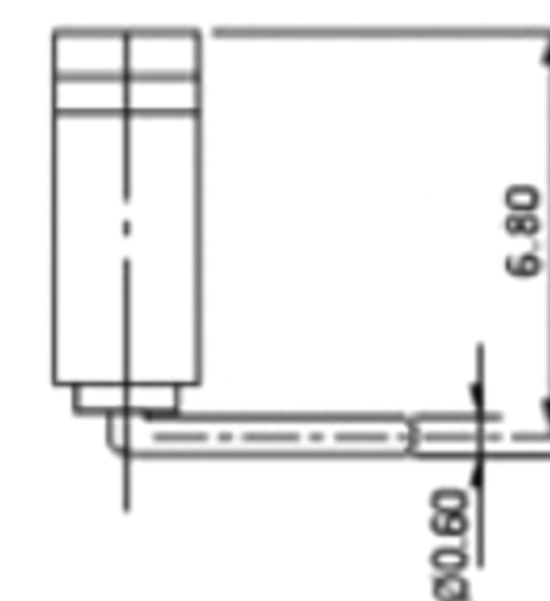
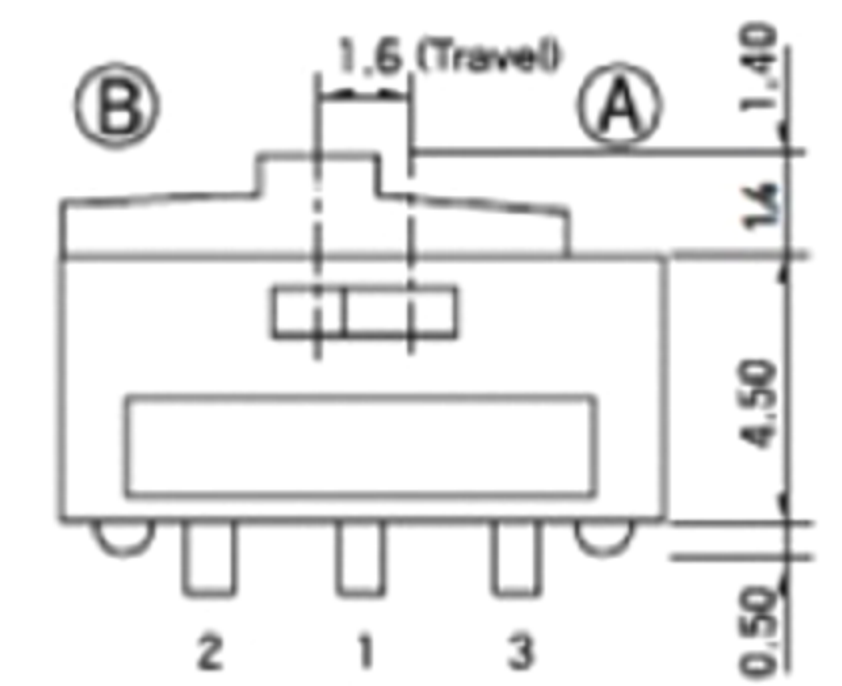
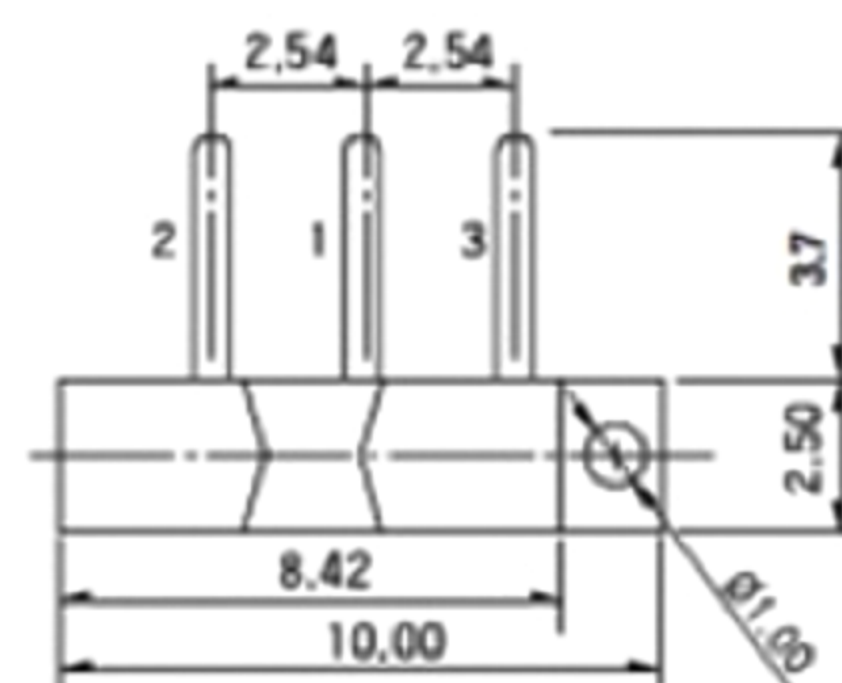
Mini Slide Switch Modules
can be mounted side by side



BSI-10 Type(Change over)



BSI-10H Type(Change over)



 **广东科斯达电子科技有限公司**
GUANG DONG KE SI DA ELECTRONIC TECHNOLOGY CO., LTD.

TOLERANCE UNLESS OTHERWISE STATED:
Up to 5 ±0.2
Above 5 ~ 15 ±0.3
Above 15 ~ 30 ±0.4
Above 30 ~ 50 ±0.5
Angle ±0.3

3RD. ANGEL'S

UNITS MM

| | | | | |
|--------------|----------|-----------|----------|----------------------|
| DRAWN BY: | DATE | MAT'L | TITLE | SWITCH |
| Jack Lu | 12/27/22 | | | |
| CHECKED BY: | DATE | FINISH | MODLE | TACT SWITCH WITH LED |
| Jacky Chen | 12/27/22 | | | |
| APPROVED BY: | DATE | SCALE | DWG NO. | SIZE |
| Tony Kao | 12/27/22 | 1 : 1 | | A4 |
| | | SHEET NO. | PART NO. | VER |
| | | 1 of 1 | | R |

| | | | |
|----------|-------------|-------|------|
| ITEM NO. | DESCRIPTION | DRAWN | DATE |
| | | | |