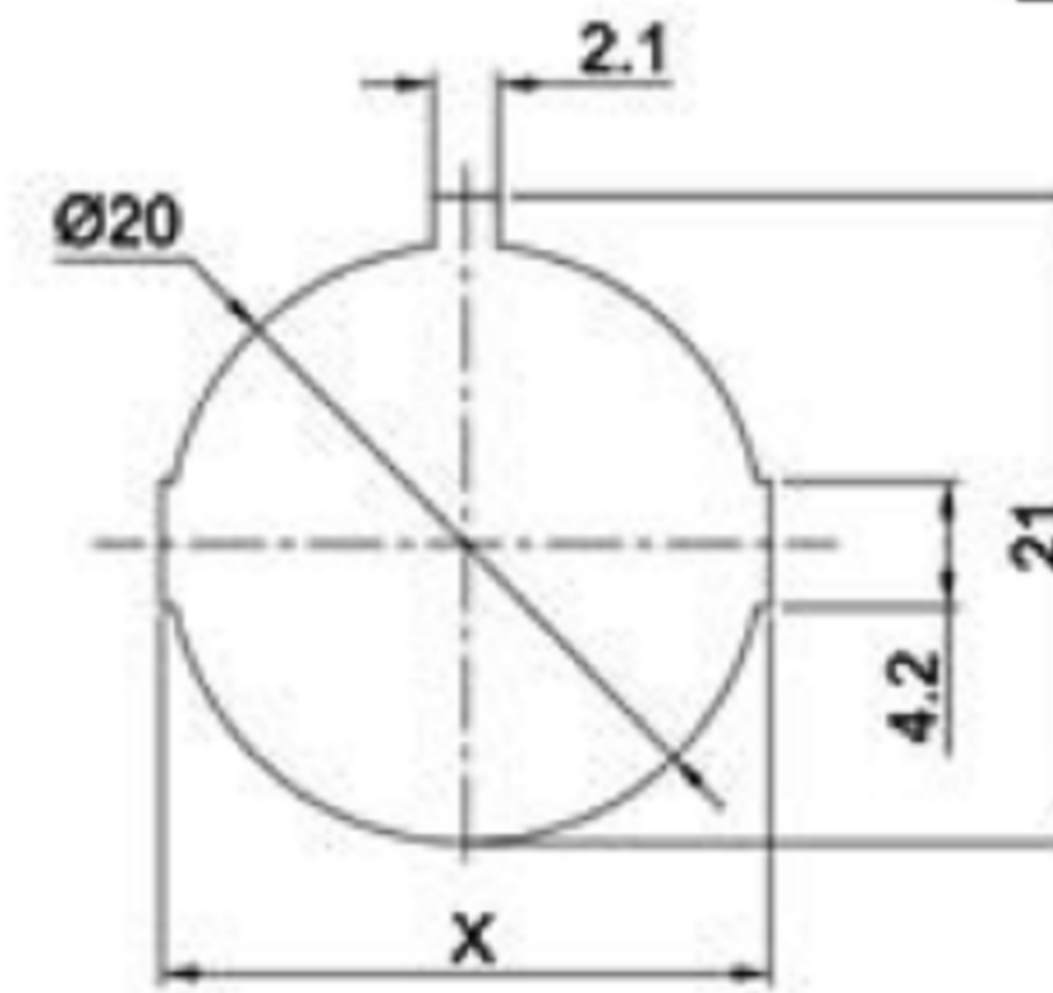
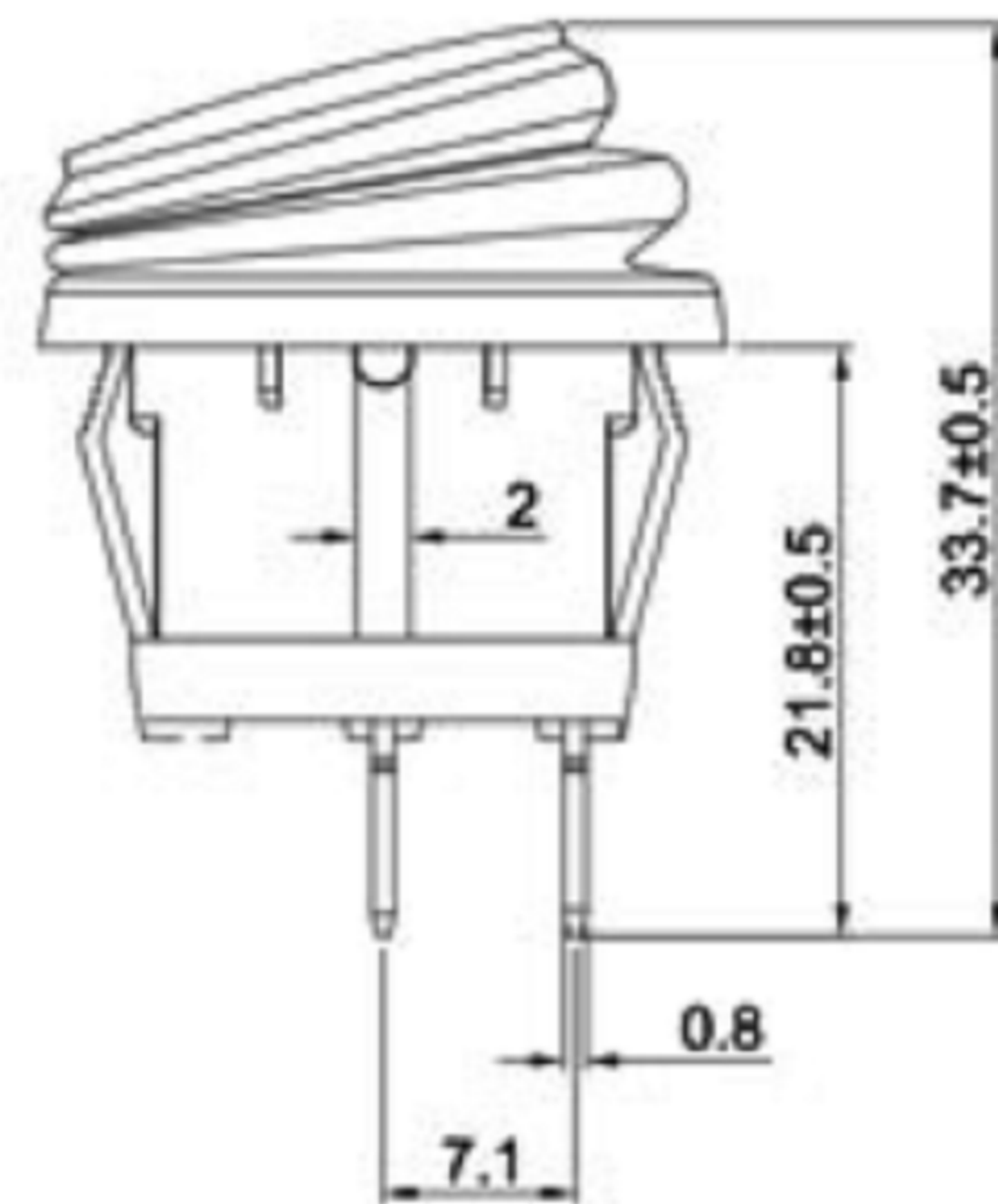
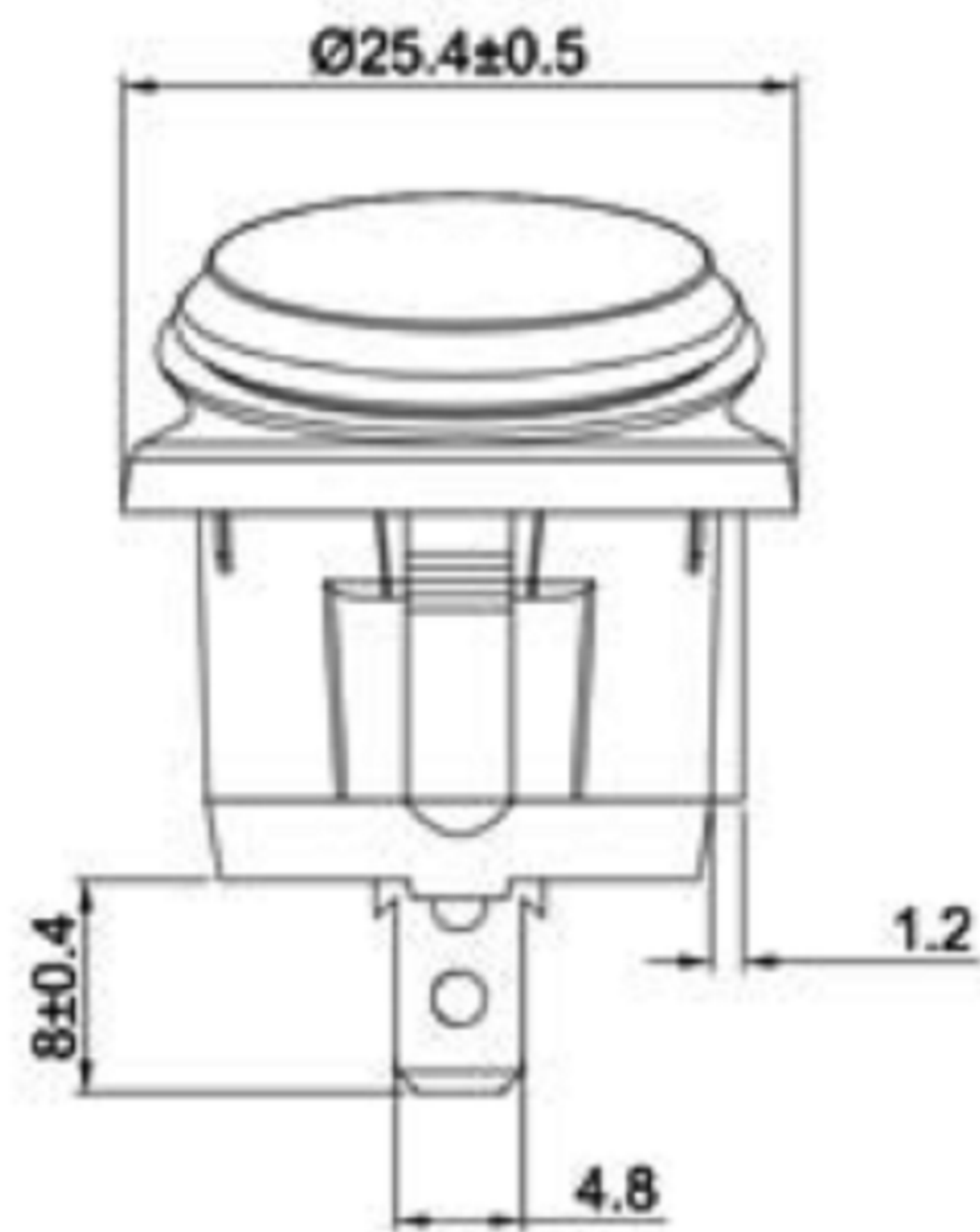
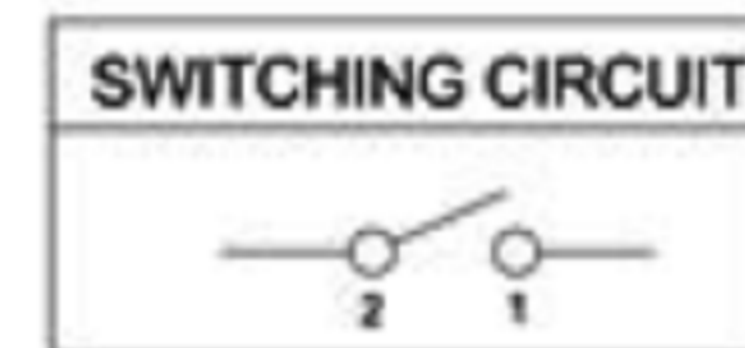


Rating: 12A 125V AC
10A 250V AC(ENEC CQC) ;
Contact Resistance: 20mΩ Max. ;
Insulation Resistance:DC 500V 100MΩ Min. ;
Dielectric Strength:AC 1500V 1 minute
Operating Force:450±200gf
Mechanical Life:50,000 cycles
Load Life:10,000 cycles
Operating Temperature: 0°C~85°C
Level of Protection: IP65

CUT-OUT



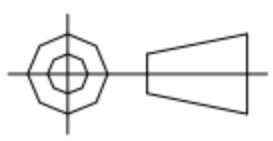
	X
0.75~1.25	20.2
1.25~2.00	20.4
2.00~3.00	20.6



广东科斯达电子科技有限公司
GUANG DONG KE SI DA ELECTRONIC TECHNOLOGY CO., LTD.

TOLERANCE UNLESS OTHERWISE STATED :
 Up to 5 ±0.2
 Above 5 ~ 15 ±0.3
 Above 15 ~ 30 ±0.4
 Above 30 ~ 50 ±0.5
 Angle ±0.3

3RD. ANGEL'S



UNITS MM

DRAWN BY:	DATE	MAT'L	TITLE	SWITCH
Jack Lu	12/27/22			
CHECKED BY:	DATE	FINISH	MODLE	TACT SWITCH WITH LED
Jacky Chen	12/27/22			
APPROVED BY:	DATE	SCALE	DWG NO.	SIZE
Tony Kao	12/27/22	1 : 1		A4
		SHEET NO.	PART NO.	VER
		1 of 1		R