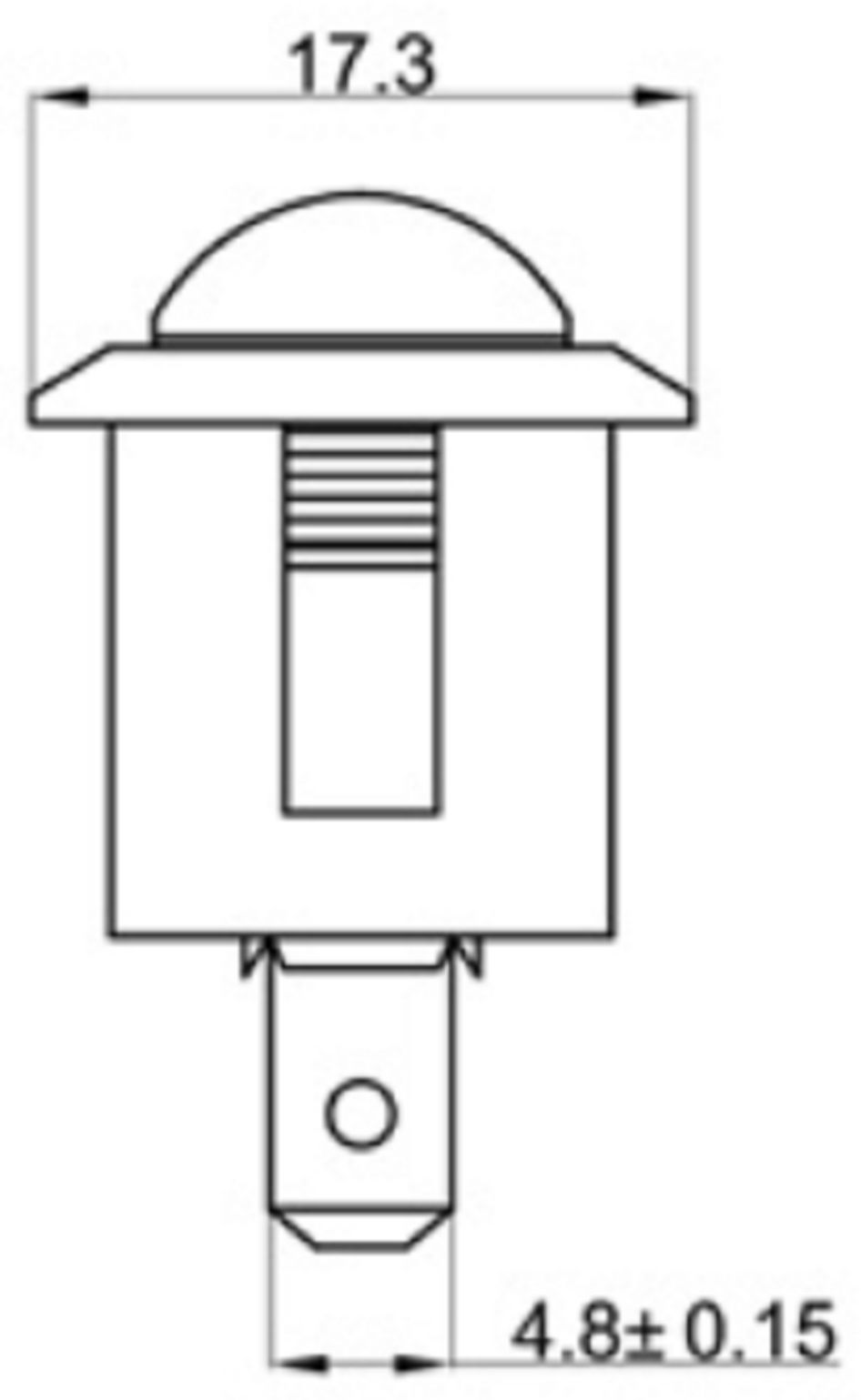
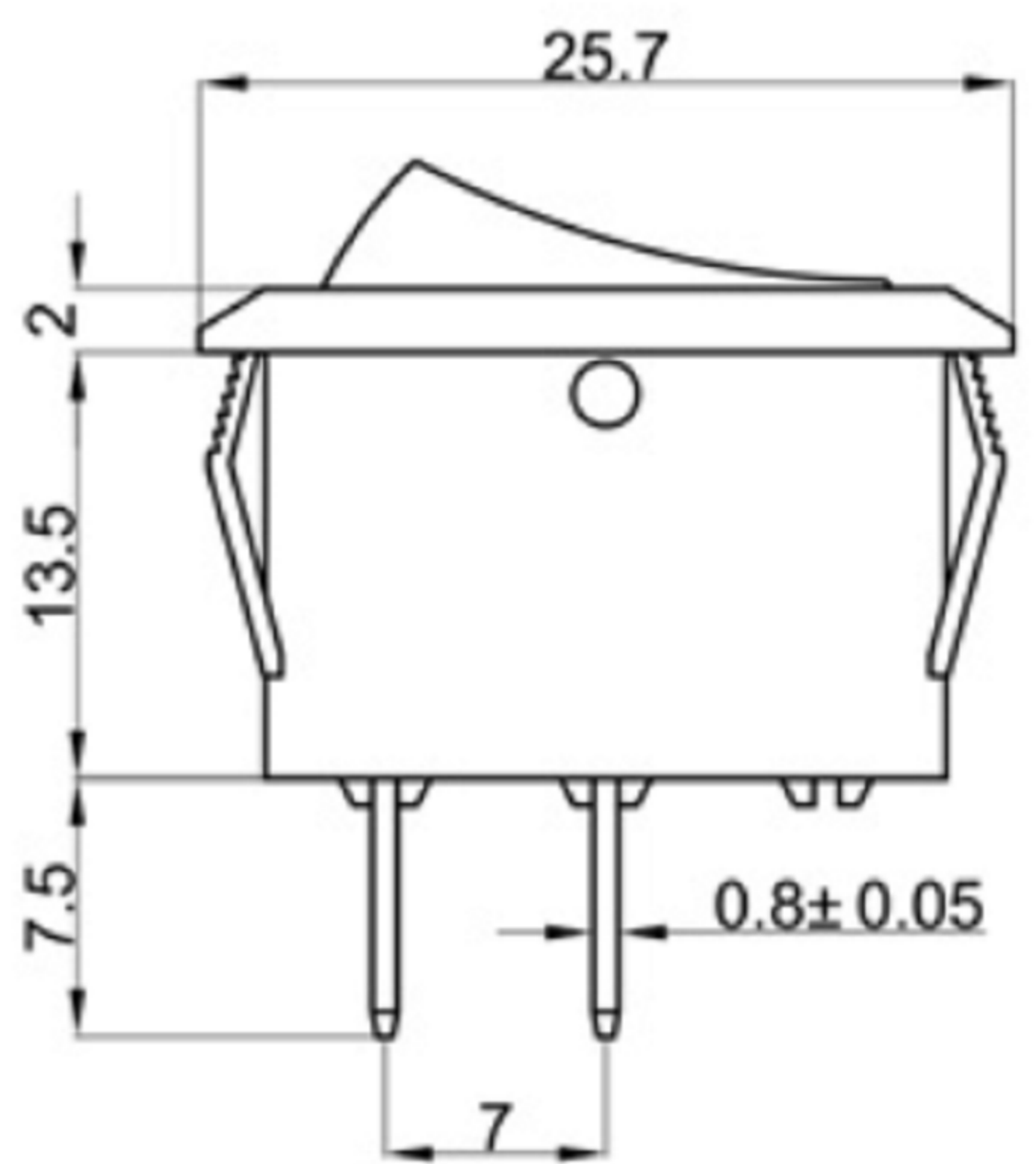
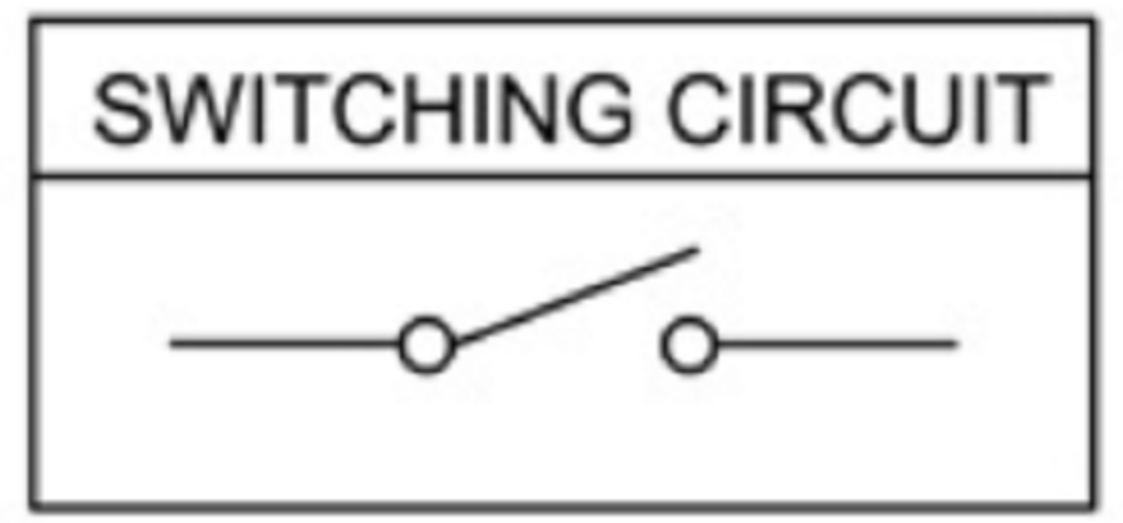
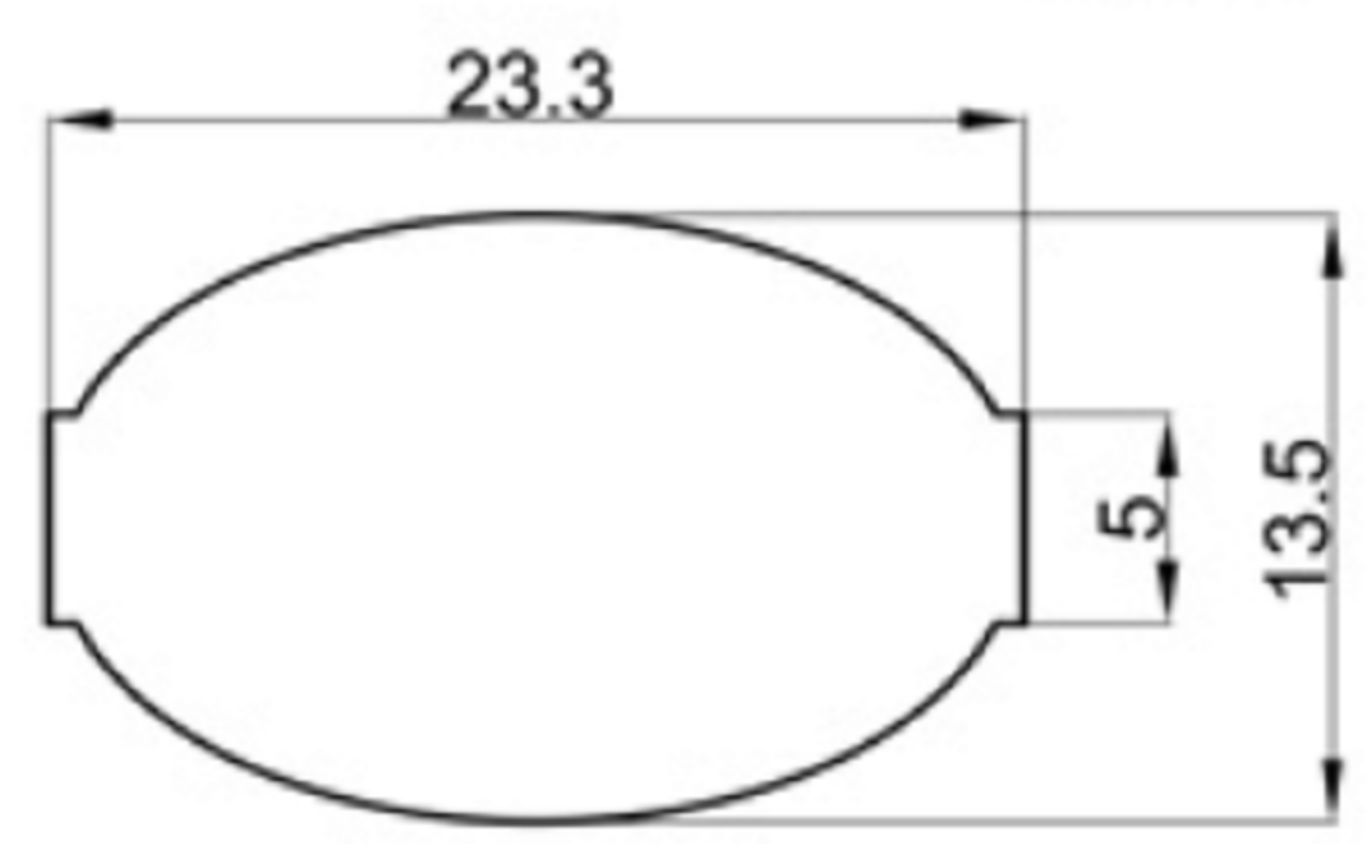


Rating: 12A 125VAC  
 10A 250VAC(CQC / ENEC/CB)  
 Contact Resistance: 50m Ω max  
 Insulation Resistance: DC 500V 100M Ω min.  
 Dielectric Strength: AC 1500V 1 minute  
 Operating Force: 350 ± 100gf  
 Mechanical Life: Over 50,000 cycles  
 Electrical Life: Over 10,000 cycles  
 Operating Temperature: -20° C ~ +85° C  
 Safety Approval:



CUT-OUT



x	0	1	2	4	5
Marking	None				

**广东科斯达电子科技有限公司**  
**GUANG DONG KE SI DA ELECTRONIC TECHNOLOGY CO., LTD.**

TOLERANCE UNLESS OTHERWISE STATED: Up to 5 ±0.2, Above 5 ~ 15 ±0.3, Above 15 ~ 30 ±0.4, Above 30 ~ 50 ±0.5, Angle ±0.3  
 3RD. ANGEL'S UNITS MM

DRAWN BY:	DATE	MAT'L	TITLE	SWITCH
Jack Lu	12/27/22			
CHECKED BY:	DATE	FINISH	MODLE	TACT SWITCH WITH LED
Jacky Chen	12/27/22			
APPROVED BY:	DATE	SCALE	DWG NO.	SIZE
Tony Kao	12/27/22	1 : 1		A4
		SHEET NO.	PART NO.	VER
		1 of 1		R

ITEM NO.	DESCRIPTION	DRAWN	DATE