

Fuse holder for overload protection

Screw-in mounting

Rating: 15A 250VAC

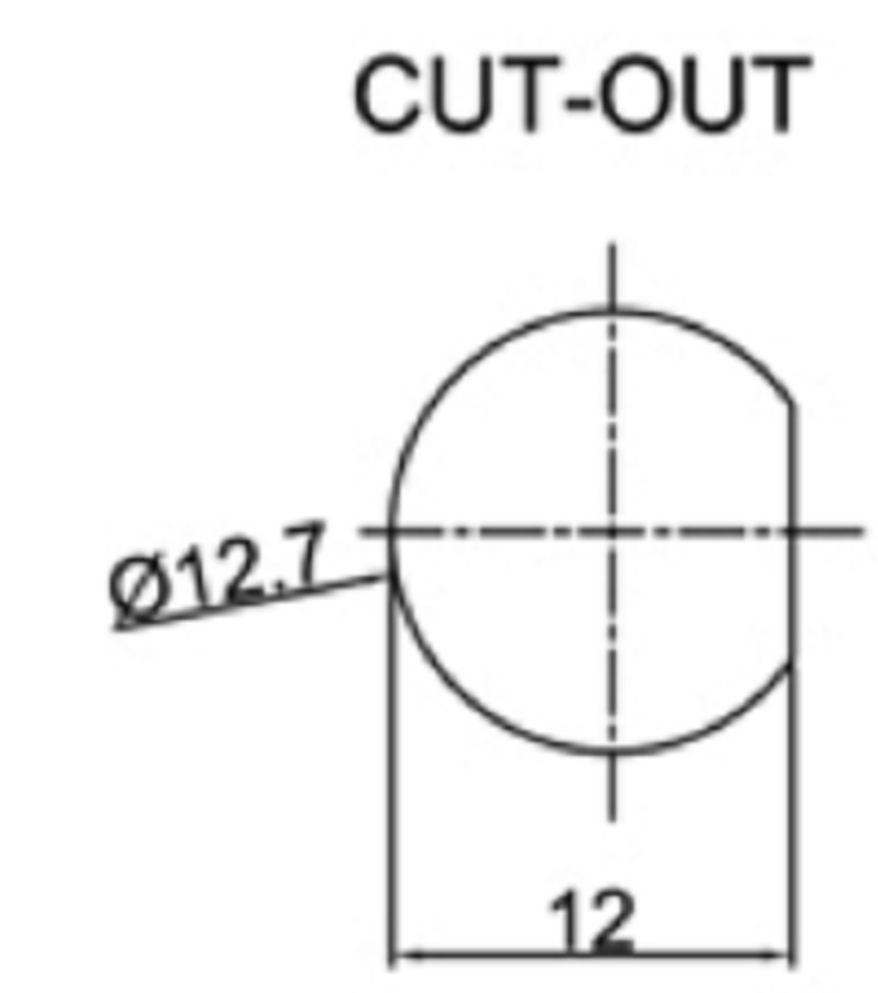
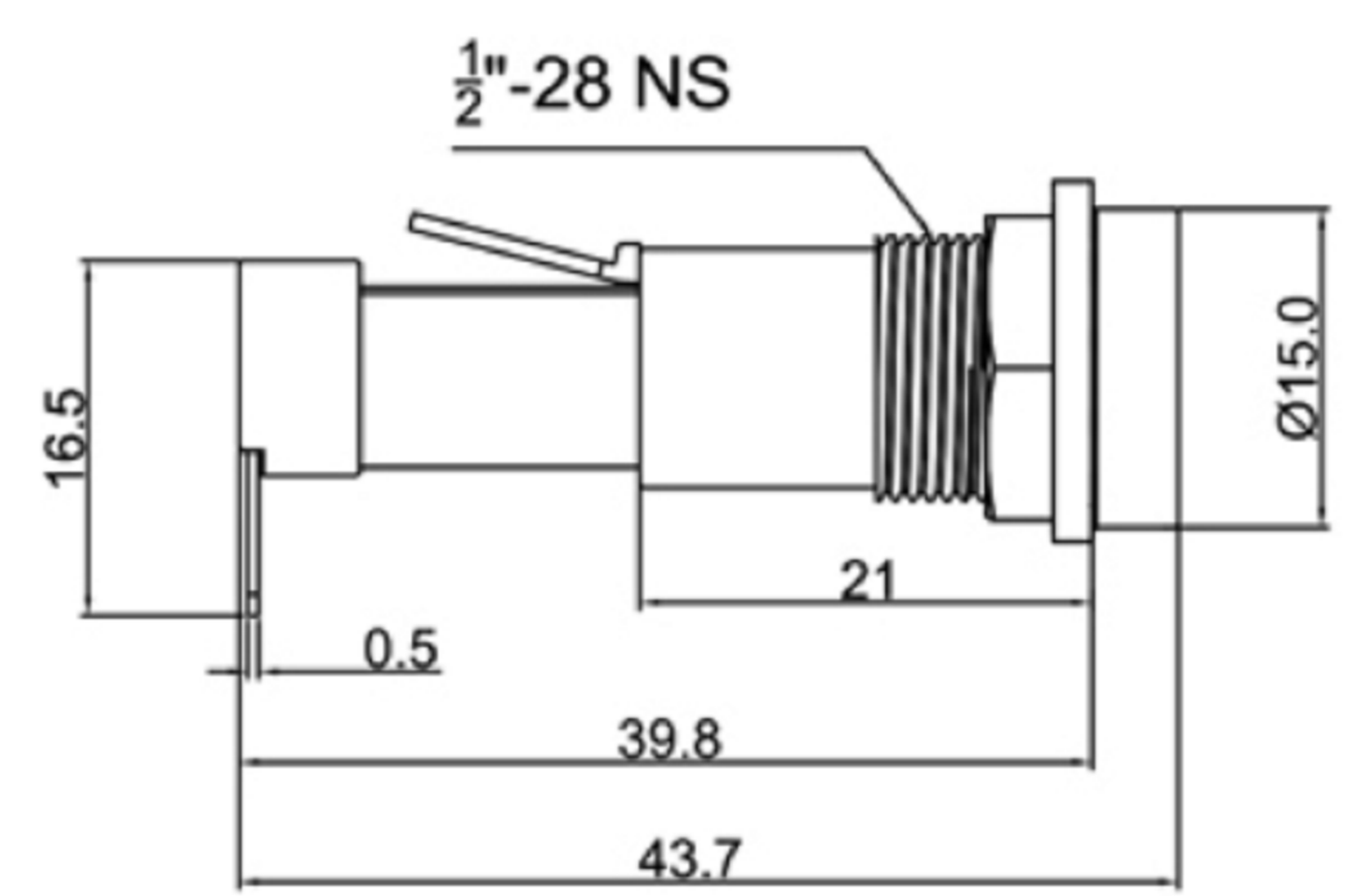
Fuse: Ø6.0x30mm

Cap: Bayonet type

Panel thickness: 4.5mm max

Operating Temperature: -10°C ~ +70°C

Welding method: Manual Soldering (350° C ± 5° C, 3s ± 0.5s)



广东科斯达电子科技有限公司
GUANG DONG KE SI DA ELECTRONIC TECHNOLOGY CO., LTD.

TOLERANCE UNLESS OTHERWISE STATED: Up to 5 ±0.2, Above 5 ~ 15 ±0.3, Above 15 ~ 30 ±0.4, Above 30 ~ 50 ±0.5, Angle ±0.3

3RD. ANGEL'S

UNITS MM

| | | | | |
|--------------|----------|-----------|----------|----------------------|
| DRAWN BY: | DATE | MAT'L | TITLE | SWITCH |
| Jack Lu | 12/27/22 | | | |
| CHECKED BY: | DATE | FINISH | MODLE | TACT SWITCH WITH LED |
| Jacky Chen | 12/27/22 | | | |
| APPROVED BY: | DATE | SCALE | DWG NO. | SIZE |
| Tony Kao | 12/27/22 | 1:1 | | A4 |
| | | SHEET NO. | PART NO. | VER |
| | | 1 of 1 | | R |

| | | | |
|----------|-------------|-------|------|
| ITEM NO. | DESCRIPTION | DRAWN | DATE |
| | | | |