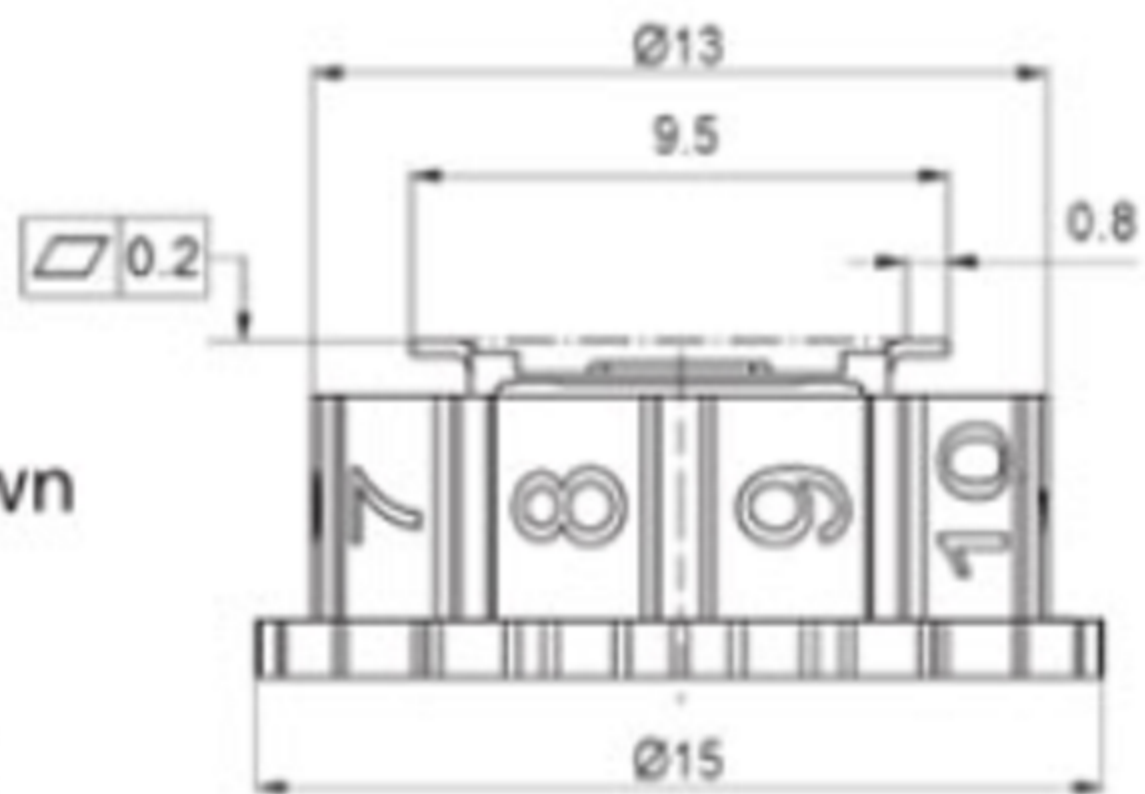
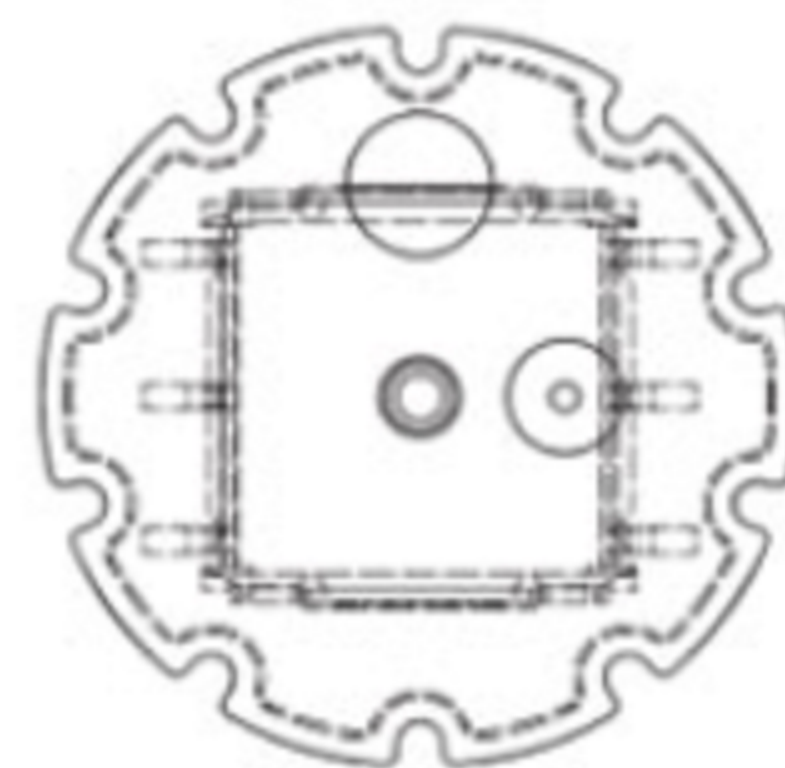
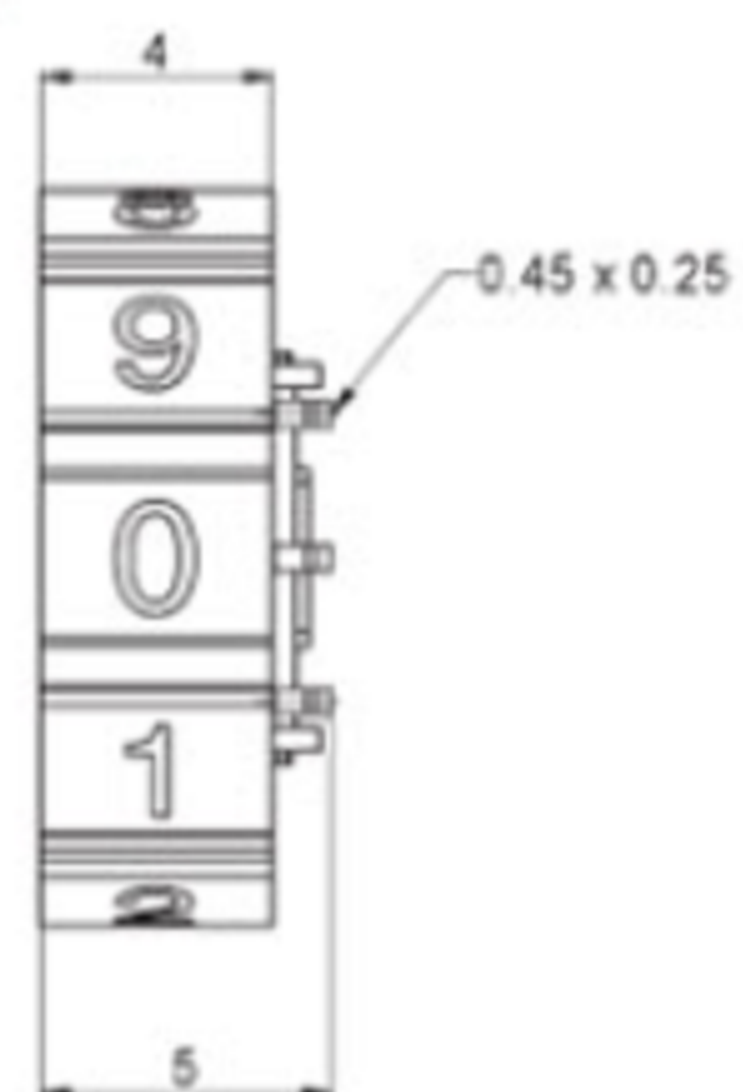
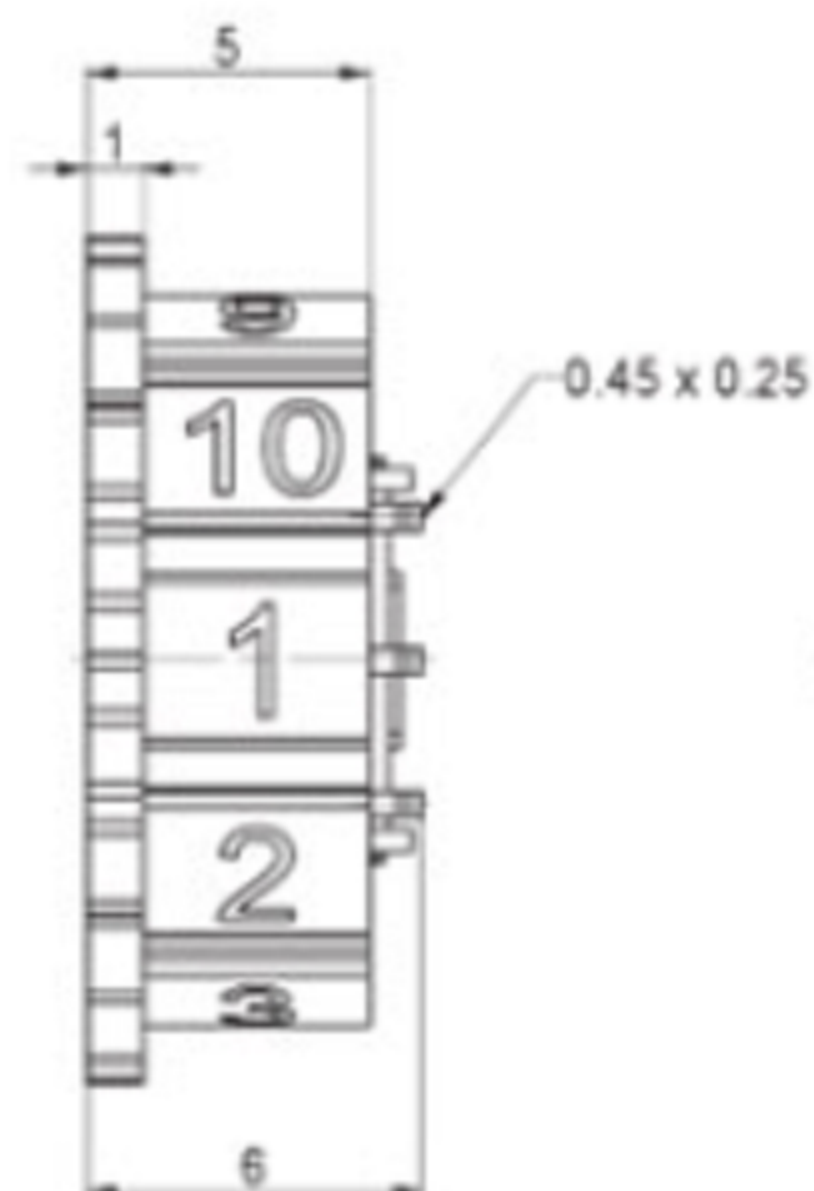




PCB right



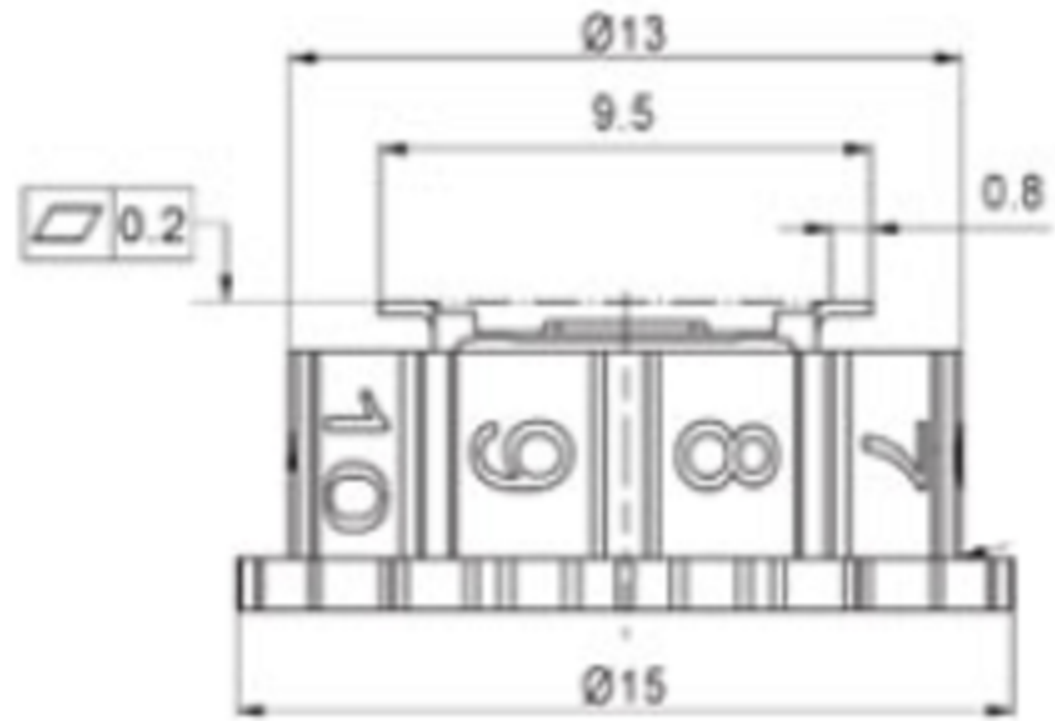
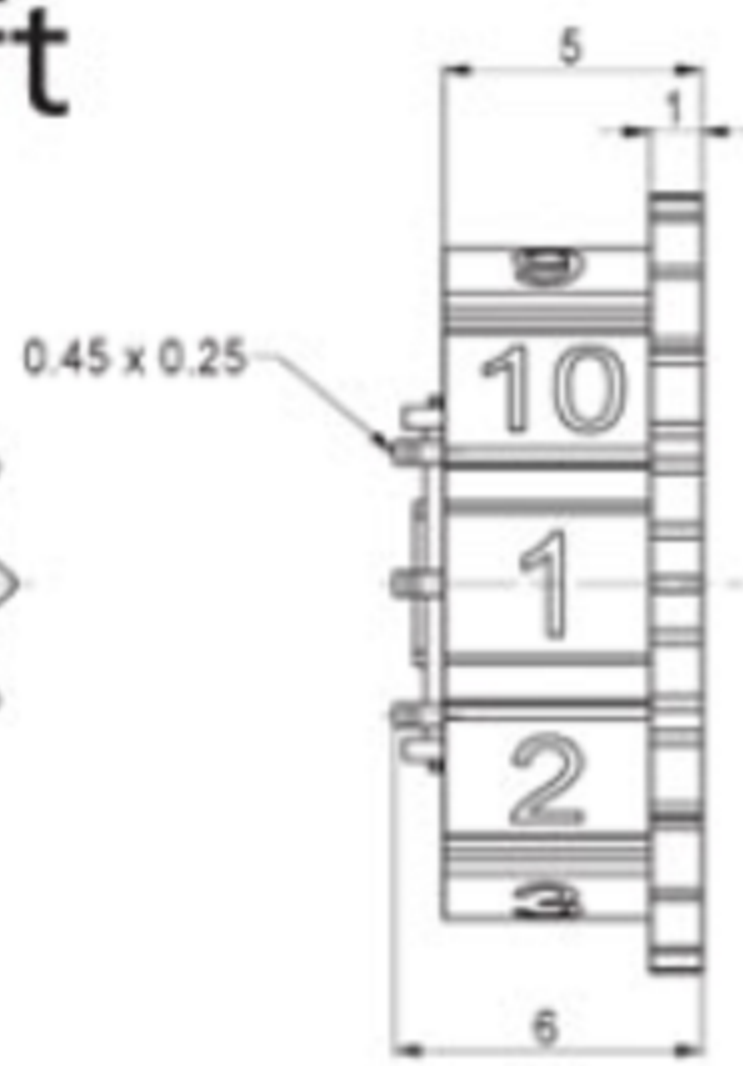
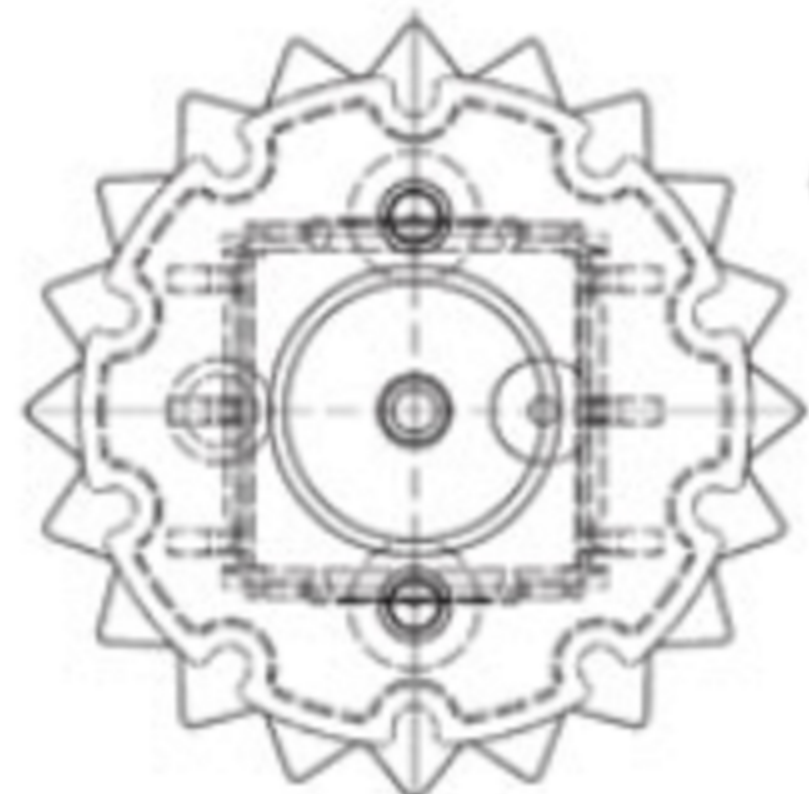
without operating crown



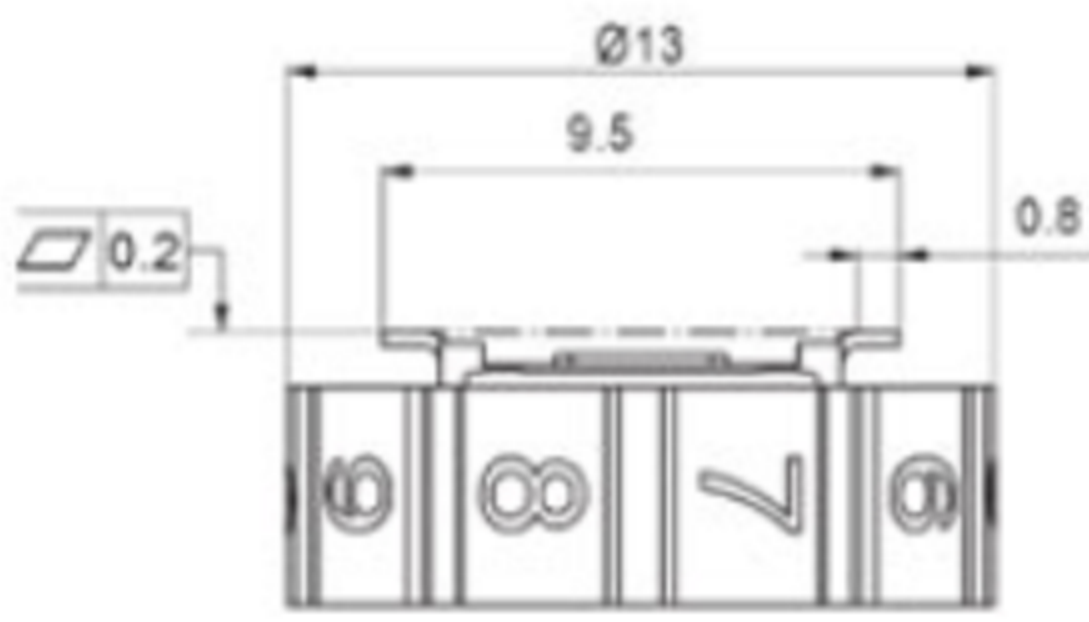
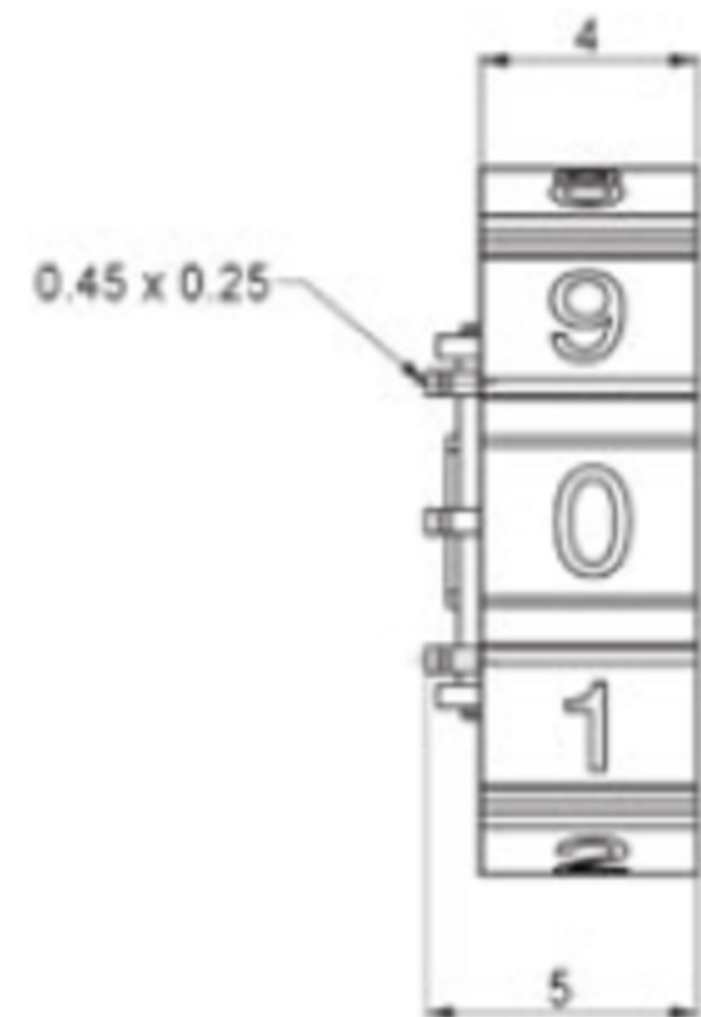
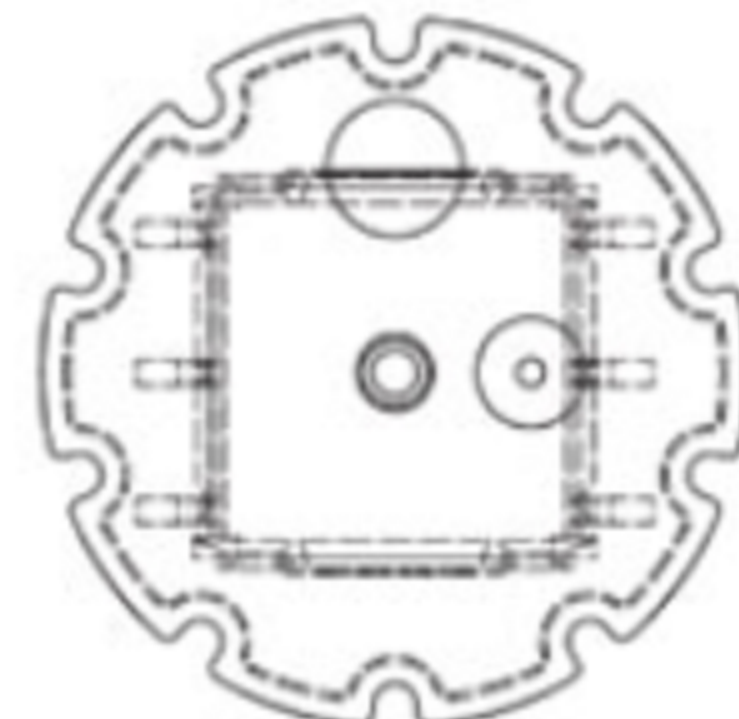
BCD		Anschlußpins / Terminals				
		C	1	2	4	8
Schaltstellung / Position	0	●				1
	9	●	●			2
	8	●				3
	7	●	●	●	●	4
	6	●		●	●	5
	5	●	●		●	6
	4	●			●	7
	3	●	●	●		8
	2	●		●		9
	1	●	●			10
		Beschriftung / Marking				

right

PCB left



with operating crown



without operating crown

BCD		Anschlußpins / Terminals					
		C	1	2	4	8	
Schaltstellung / Position	0	●				1	
	1	●	●			2	
	2	●		●		3	
	3	●	●	●		4	
	4	●			●	5	
	5	●	●		●	6	
	6	●		●	●	7	
	7	●	●	●	●	8	
	8	●				●	9
	9	●	●			●	10
		Beschriftung / Marking					

left

广东科斯达电子科技有限公司
GUANG DONG KE SI DA ELECTRONIC TECHNOLOGY CO., LTD.

TOLERANCE UNLESS OTHERWISE STATED:
 Up to 5 ±0.2
 Above 5 ~ 15 ±0.3
 Above 15 ~ 30 ±0.4
 Above 30 ~ 50 ±0.5
 Angle ±0.3

3RD. ANGEL'S

UNITS MM

DRAWN BY:	DATE	MAT'L	TITLE	SWITCH
Jack Lu	12/27/22			
CHECKED BY:	DATE	FINISH	MODLE	TACT SWITCH WITH LED
Jacky Chen	12/27/22			
APPROVED BY:	DATE	SCALE	DWG NO.	
Tony Kao	12/27/22	1 : 1		
SHEET NO.	1 of 1	PART NO.		

ITEM NO.	DESCRIPTION	DRAWN	DATE

SIZE
A4
VER
R