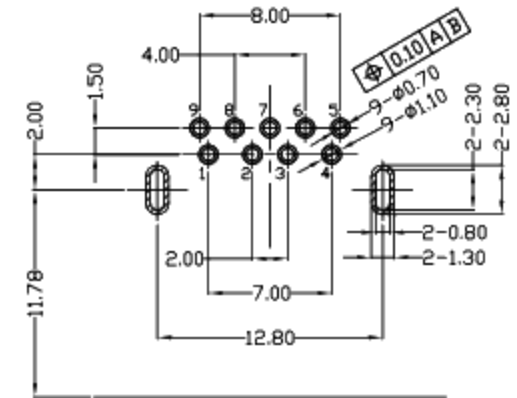
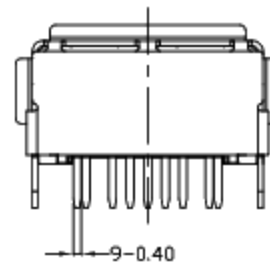
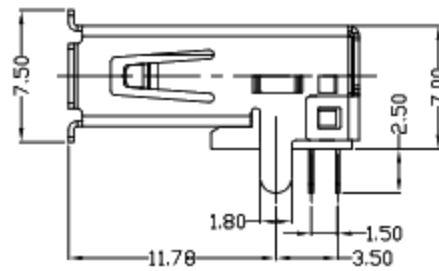
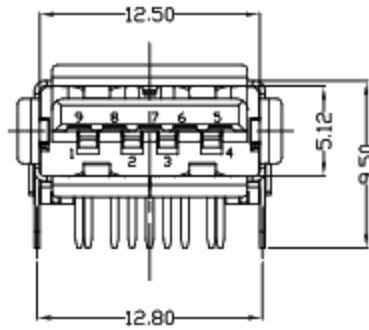
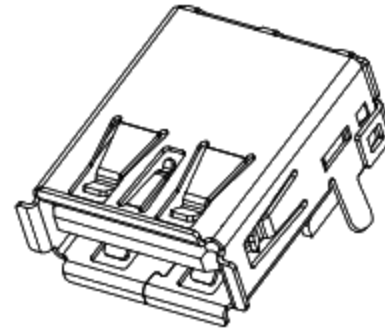
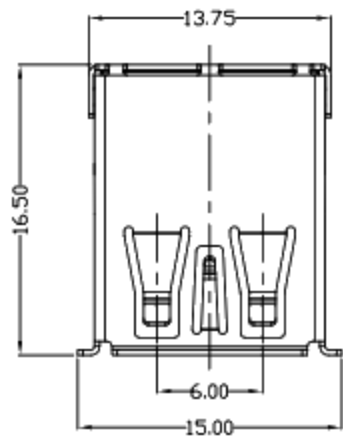




RoHS
Compliant
2002/95/EC

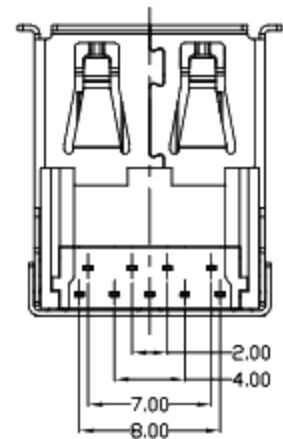
Halogen Free

REV.	ECN.	NO.	APPD.



CONN FRONT EDGE

RECOMMENDED P.C.B LAYOUT(±0.05)



NOTES:

- ELECTRICAL:
 - VOLTAGE CURRENT RATING:1.5AMP,30V AC;
 - INSULATION RESISTANCE: 1000MΩ MIN;
 - CONTACT RESISTANCE: 30mΩ MAX;
 - WITHSTANDING VOLTAGE: 500V AC;
 - OPERATING TEMPERATURE:-55°C TO +105°C.
- Mechanical:
 - Mating Force: 35N MAX
 - Unmating Force: 10N MIN.
- NOTE:1.DIMENSIONS MARKED "▼" TO BE CHECKED BY Q.C & IPQC.

4.PART NO.

1-Au 1U*
5-Au 15u*
6-Au 30u*

W:WHITE
B:BLACK
BL:BLUE
1-PBT
2-PA6T
3-PA9T
4-LCP

Bill of materials:

NO	PARTS	MATERIAL	QTY	FINISHING	UNITS	mm
5	HOUSING	LCP+30%GF HF (Halogen Free)	1	UL94V-0	X. ±0.35	X.* ±2'
4	COVER	LCP+30%GF HF (Halogen Free)	1	UL94V-0	.X ±0.3	.X* ±1'
3	SHELL	COPPER ALLOY	1	PLATED NICKEL	.XX ±0.25	.XX*
2	TERMINAL(4P)	COPPER ALLOY	4	PLATED GOLD/TIN	.XXX ±0.15	.XXX*
1	TERMINAL(5P)	COPPER ALLOY	5	PLATED GOLD/TIN		

THESE DRAWINGS AND SPECIFICATIONS ARE THE PROPERTY OF ACCURATE INNOTECH INC AND SHALL NOT BE REPRODUCED, COPIED OR USED IN ANY MANNER WITHOUT THE PRIOR WRITTEN CONSENT OF ACCURATE INNOTECH INC

Q'TY

廣東科斯達電子科技有限公司

TITLE: USB 3.0 AF 90度 DIP 间距12.80 垂直 蓋殼 无肉	PART NO.:
DR: gan 2018/07/12	DWG NO.:
CHKD: gan 2018/07/12	
APPD:	
SCALE: 1:1	SHEET: 1/1
REV: B	CUSTOMER DRAWING