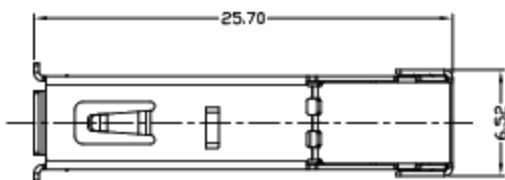
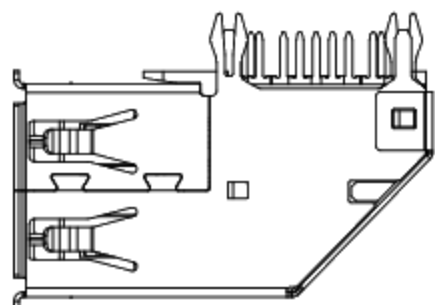
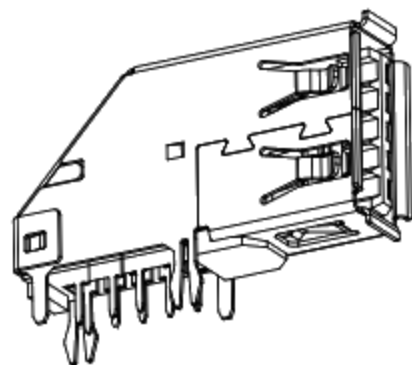


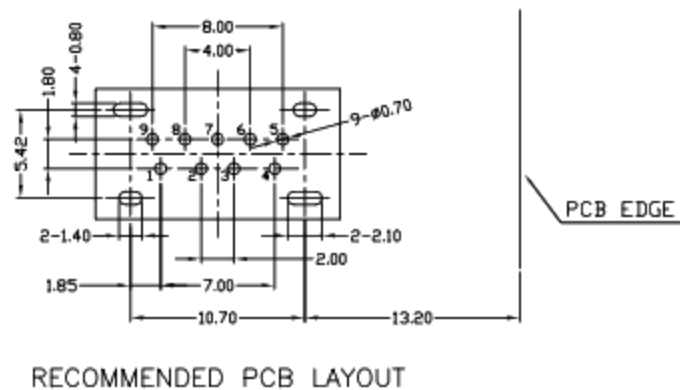
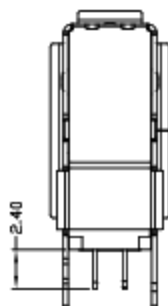
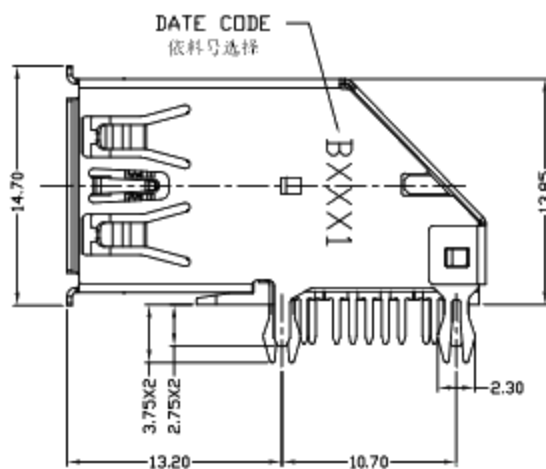
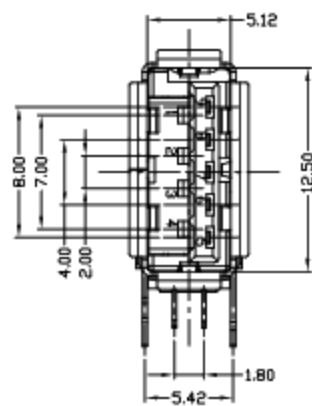


RoHS
Compliant
2002/95/EC

REV.	ECN. NO.	APPD.



Pin Number	Signal Name	Pin Number	Signal Name
1	VBUS	5	SSRX-
2	D-	6	SSRX+
3	D+	7	GND
4	GND	8	SSTX-
Shell	Shield	9	SSRT+



NOTES:

- ELECTRICAL:
 - CURRENT RATING: 1.8AMP;
 - INSULATION RESISTANCE: 100MΩ MIN;
 - CONTACT RESISTANCE: 50mΩ MAX;
 - WITHSTANDING VOLTAGE: 100V AC;
 - OPERATING TEMPERATURE: -55°C ~ +85°C.
- Mechanical:
 - Mating Force: 35N MAX
 - Unmating Force: 10N MIN.
- DIMENSIONS MARKED "▼" TO BE CHECKED BY Q.C & IPQC.

4. PART NO.

1Au 10"
5Au 15U"
6Au 30U"

W: WHITE
B: BLACK
BL: BLUE

1PBT
2PA6T
3PA9T
4LCP

Bill of materials:

NO	PARTS	MATERIAL	QTY	FINISHING
4	SHELL	STAINLESS STEEL	1	PLATED NICKEL
3	TERMINAL2	COPPER ALLOY	5	PLATED GOLD/TIN
2	TERMINAL1	COPPER ALLOY	4	PLATED GOLD/TIN
1	HOUSING	LCP/PBT+30%GF	1	UL94V-0

UNITS	mm
X. ±0.35	X.* ±2'
.X ±0.3	.X* ±1'
.XX ±0.25	.XX*
.XXX ±0.15	.XXX*

THESE DRAWINGS AND SPECIFICATIONS ARE THE PROPERTY OF ACCURATE INNOTECH INC AND SHALL NOT BE REPRODUCED, COPIED OR USED IN ANY MANNER WITHOUT THE PRIOR WRITTEN CONSENT OF ACCURATE INNOTECH INC.

MAT'L	SEE NOTE
FINISH	SEE NOTE
Q'TY	

廣東科斯達電子科技有限公司

TITLE:
USB 3.0 AF 90度 側插式 外壳卷边
小鱼叉插

PART NO.:

DR: gan 2016/08/30

DWG NO.:

CHKD: gan 2016/08/30

APPD:

SCALE	SHEET	REV.	CUSTOMER DRAWING
1:1	1/1	B	