
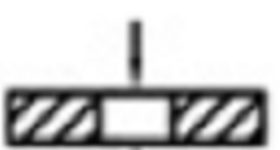
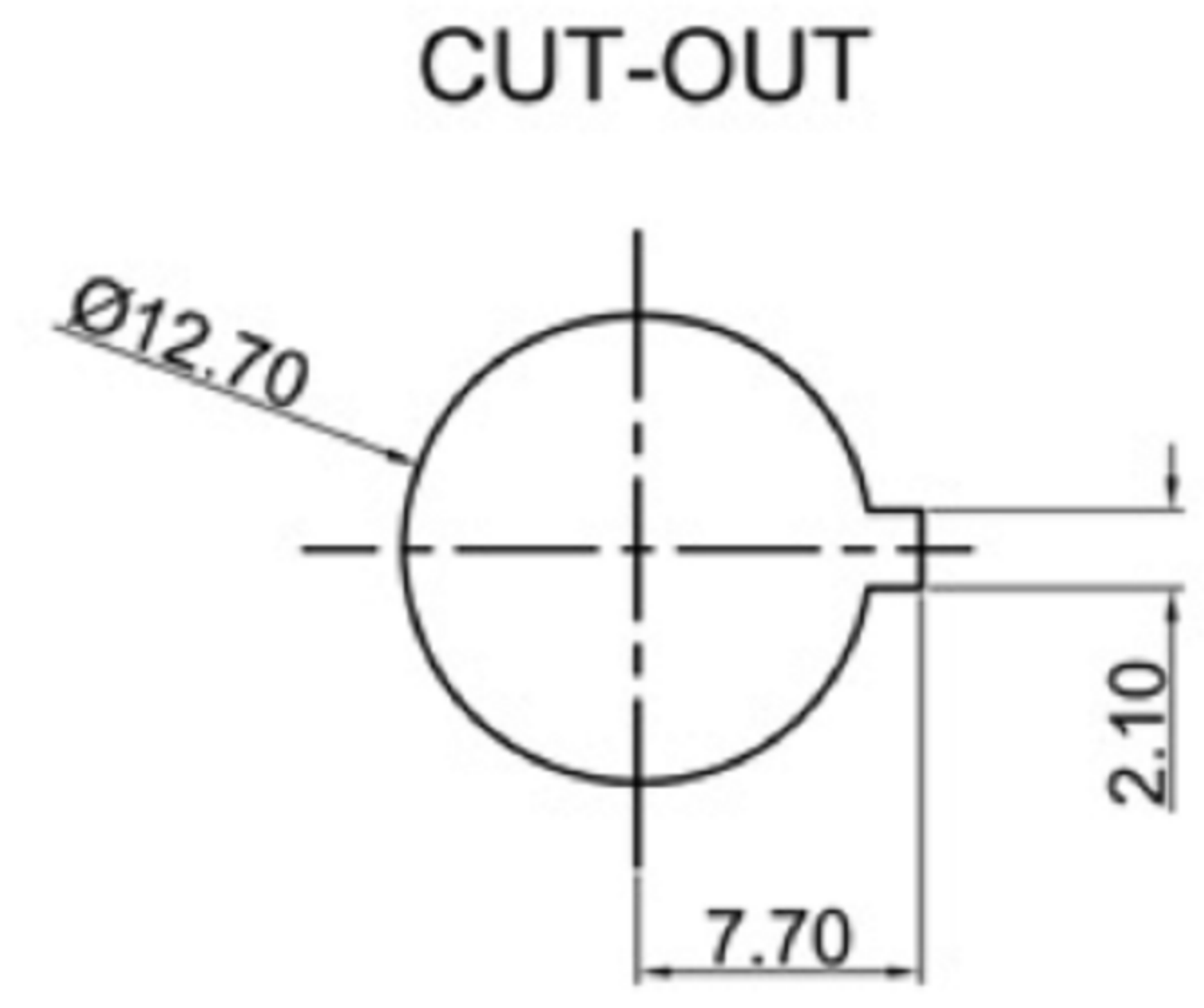
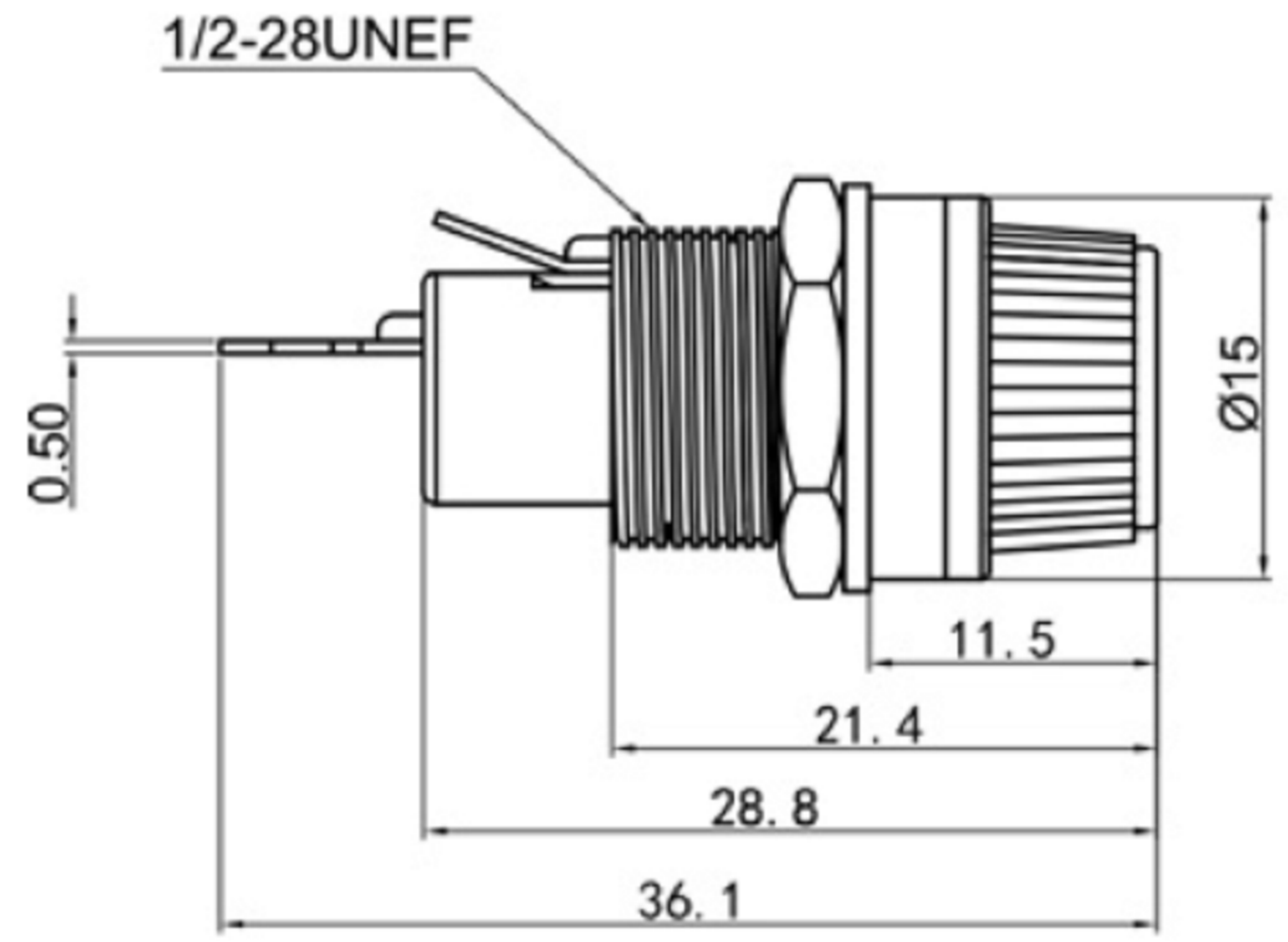
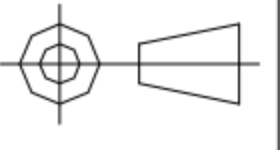


Fuse holder for overload protection
 Screw-in mounting
 Rating: 10A 250VAC
 Fuse: $\varnothing 5.0 \times 20 \text{mm}$ 
 Cap: Screw type
 Panel thickness: 4.5mm max 
 Operating Temperature: $-20^{\circ}\text{C} \sim +85^{\circ}\text{C}$
 Dielectric Strength: 1500VAC 1 minute
 Insulation Resistance: DC 500V 100M Ω min
 Welding method: Manual Soldering ($350^{\circ}\text{C} \pm 5^{\circ}\text{C}$, $3 \pm 0.5 \text{s}$)



 **广东科斯达电子科技有限公司**
 GUANG DONG KE SI DA ELECTRONIC TECHNOLOGY CO., LTD.

TOLERANCE UNLESS OTHERWISE STATED:
 Up to 5 ± 0.2
 Above 5 ~ 15 ± 0.3
 Above 15 ~ 30 ± 0.4
 Above 30 ~ 50 ± 0.5
 Angle ± 0.3

3RD. ANGEL'S  UNITS MM

DRAWN BY:	DATE	MAT'L	TITLE	SWITCH
Jack Lu	12/27/22			
CHECKED BY:	DATE	FINISH	MODLE	TACT SWITCH WITH LED
Jacky Chen	12/27/22			
APPROVED BY:	DATE	SCALE	DWG NO.	SIZE
Tony Kao	12/27/22	1 : 1		A4
		SHEET NO.	PART NO.	VER
		1 of 1		R

ITEM NO.	DESCRIPTION	DRAWN	DATE