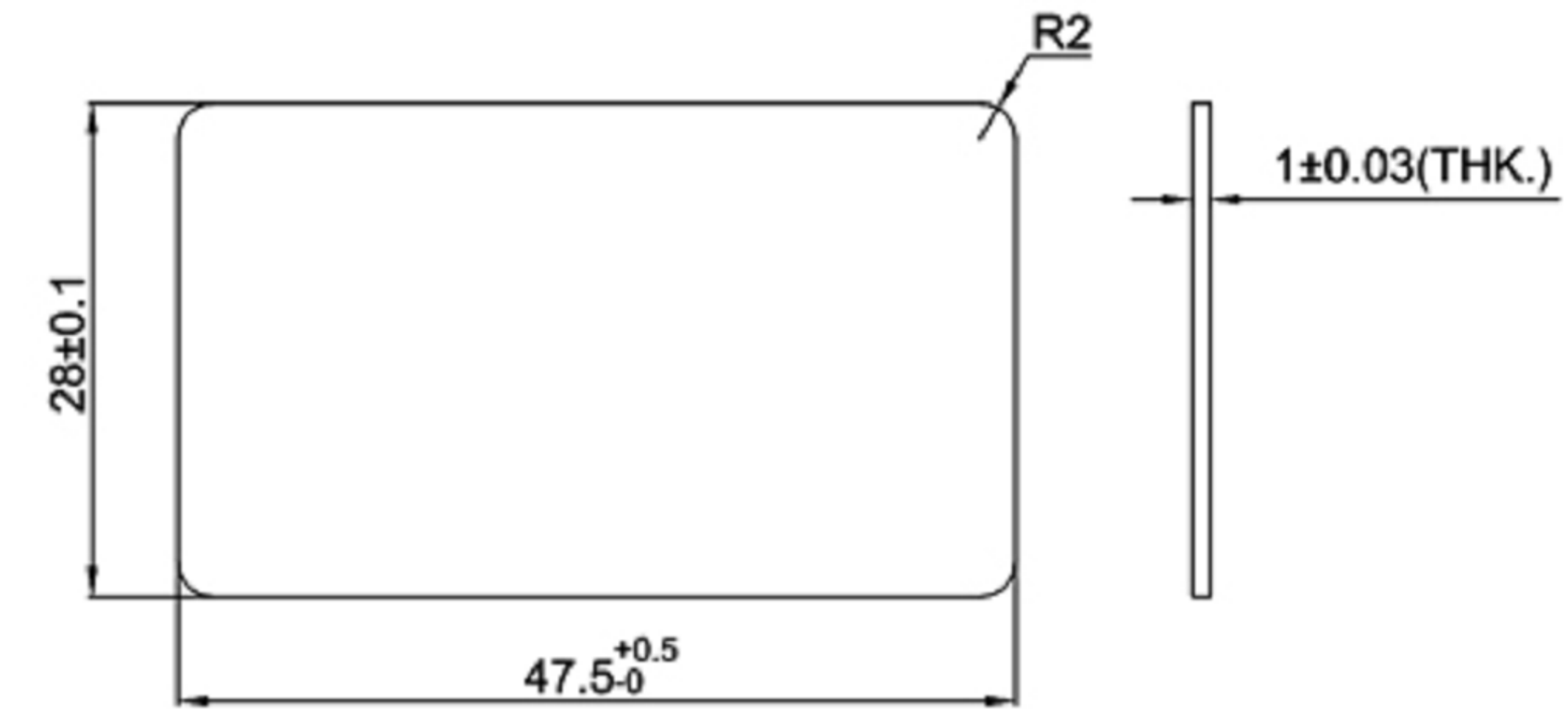
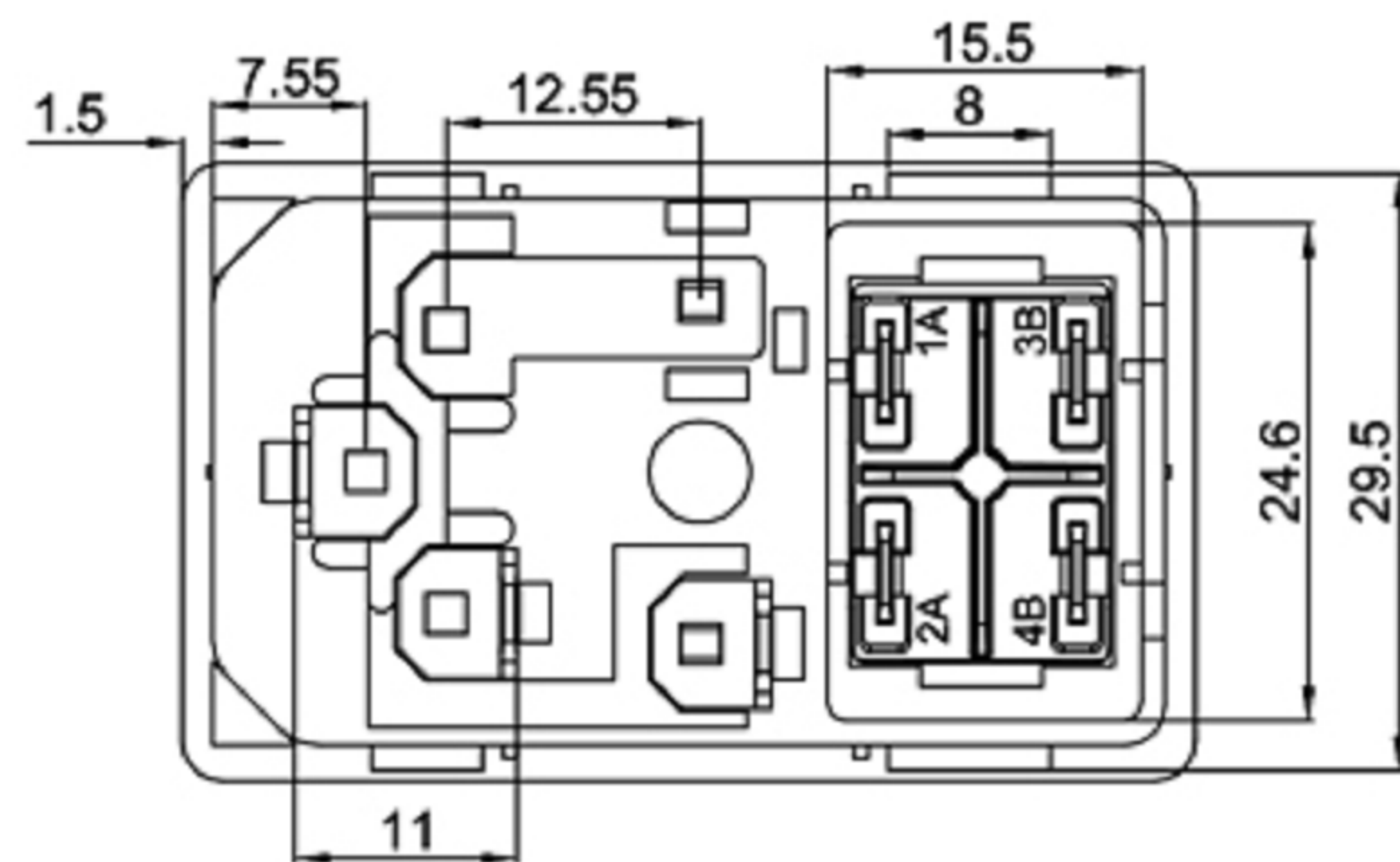
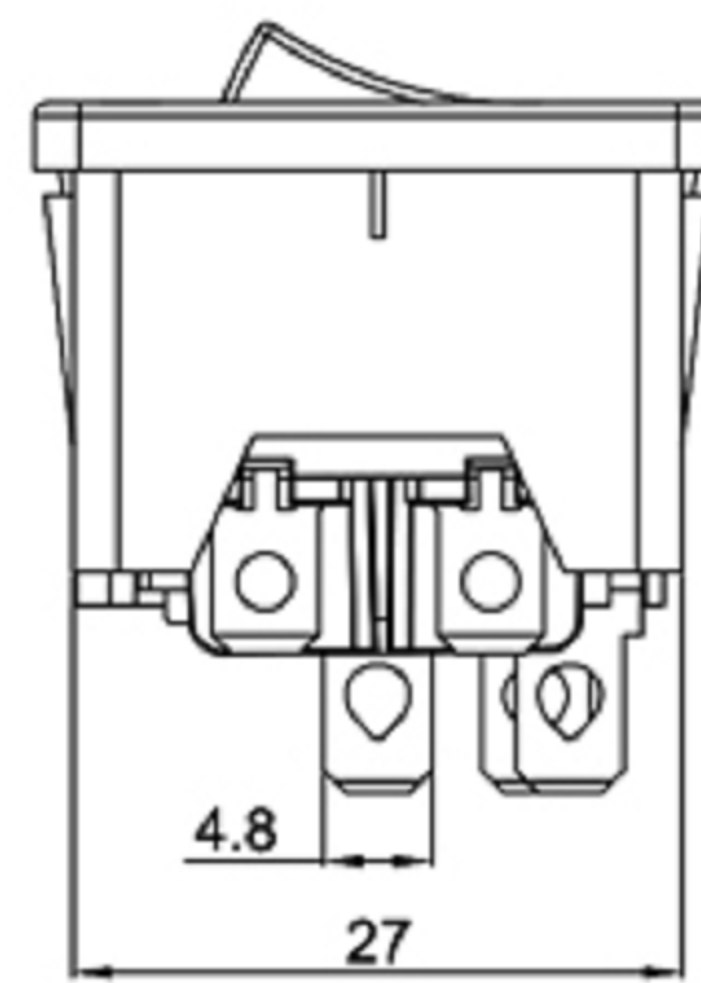
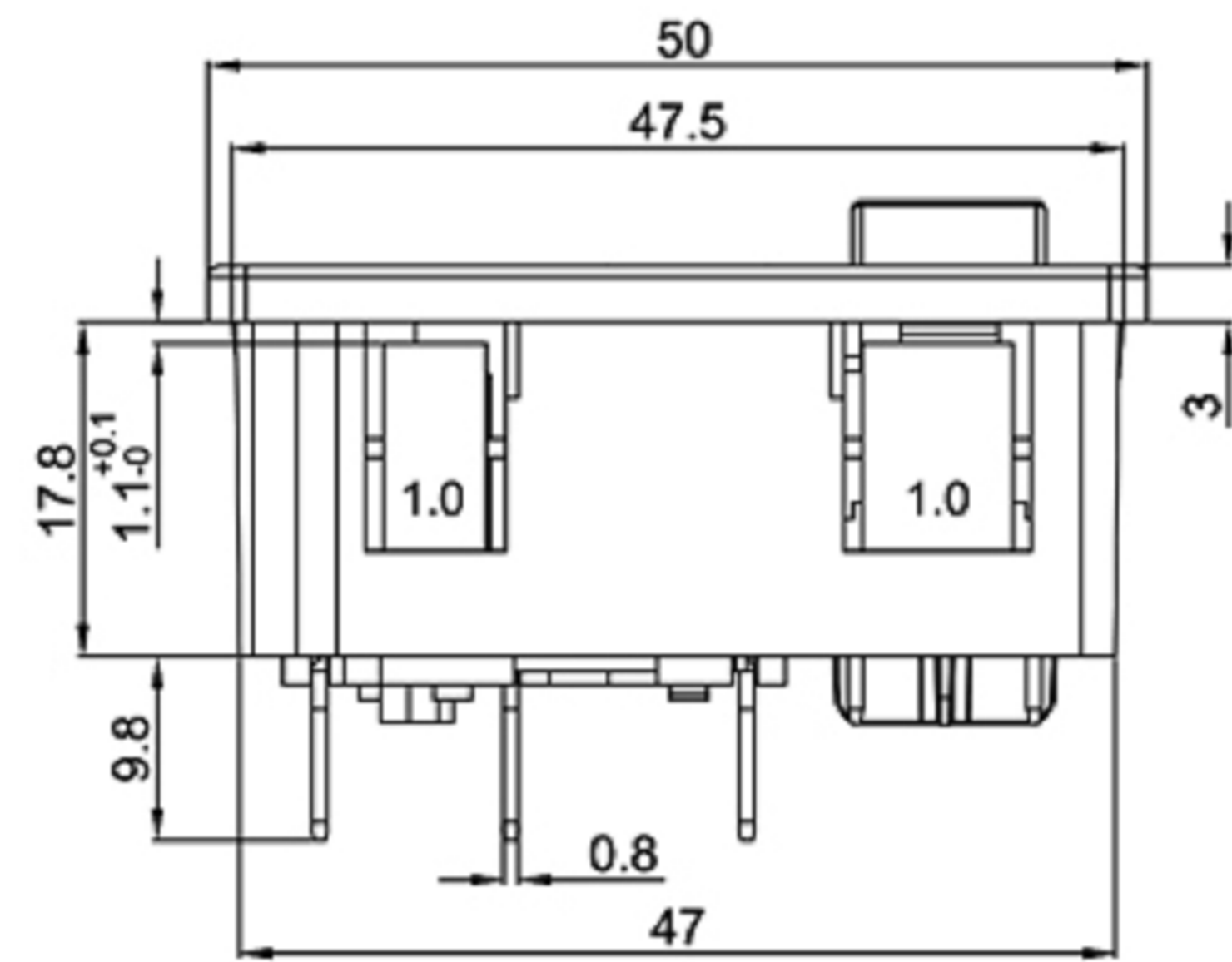


Rating: 10A 250VAC (ENEC K-MARK)
10A 250VAC (CCC)

Insulation Resistance: DC 500V 100MΩ Min
Dielectric Strength: AC 2000V 1minute
Fuse: Ø5.0x20mm

MATERIAL:

Base: PA66;
Cap: PA66 ;
Terminal: Copper alloy, Tin plated .



PANEL CUTOUT

广东科斯达电子科技有限公司
GUANG DONG KE SI DA ELECTRONIC TECHNOLOGY CO., LTD.

TOLERANCE UNLESS OTHERWISE STATED:
Up to 5 ±0.2
Above 5 ~ 15 ±0.3
Above 15 ~ 30 ±0.4
Above 30 ~ 50 ±0.5
Angle ±0.3

3RD. ANGEL'S

UNITS MM

DRAWN BY:	DATE	MAT'L	TITLE	SWITCH
Jack Lu	12/27/22	FINISH	MODLE	TACT SWITCH WITH LED
CHECKED BY:	DATE	SCALE	DWG NO.	SIZE
Jacky Chen	12/27/22	1 : 1	PART NO.	A4
APPROVED BY:	DATE	SHEET NO.		VER
Tony Kao	12/27/22	1 of 1		R

ITEM NO.	DESCRIPTION	DRAWN	DATE