

Fuse holder for overload protection

Screw-in mounting

Rating: 15A 250VAC

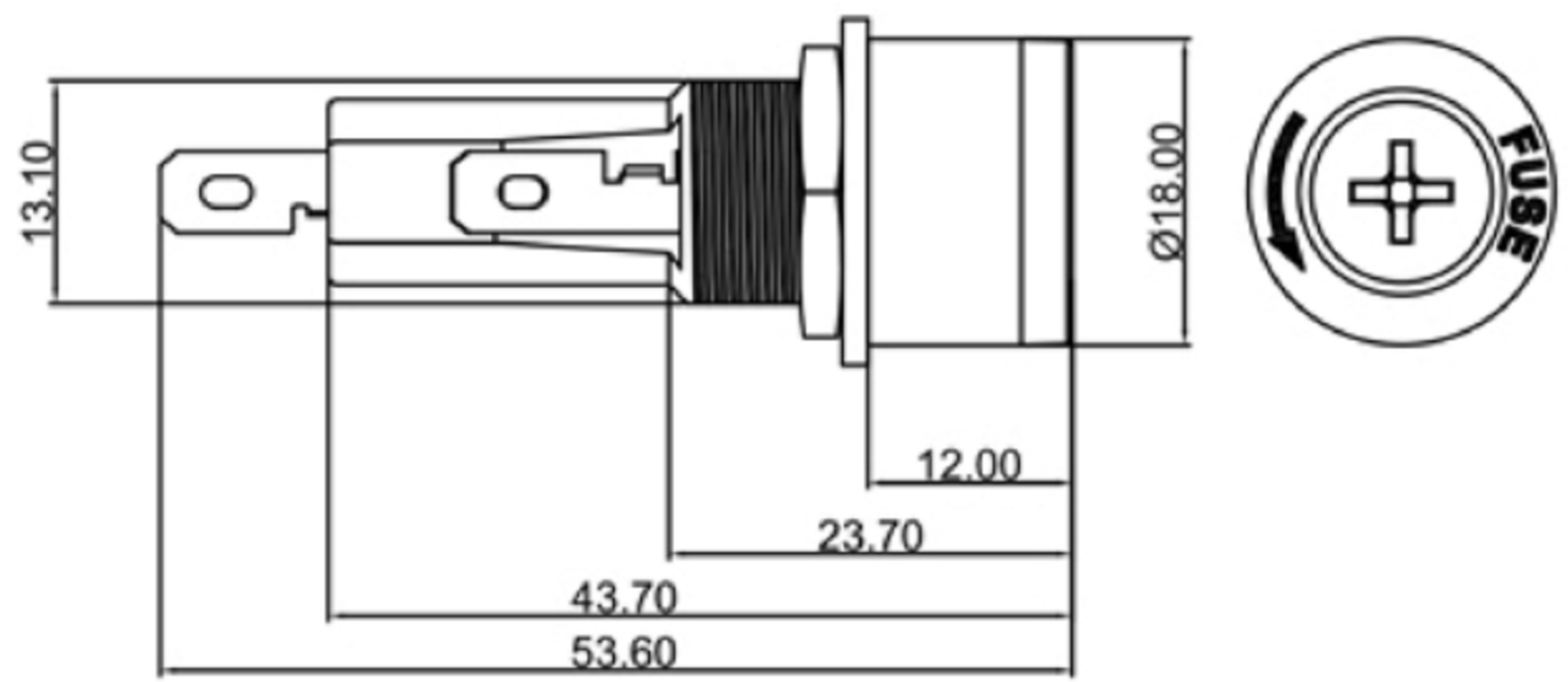
Fuse: $\varnothing 6.0 \times 30 \text{mm}$

Cap: Screw type

Panel thickness: 4.5mm max

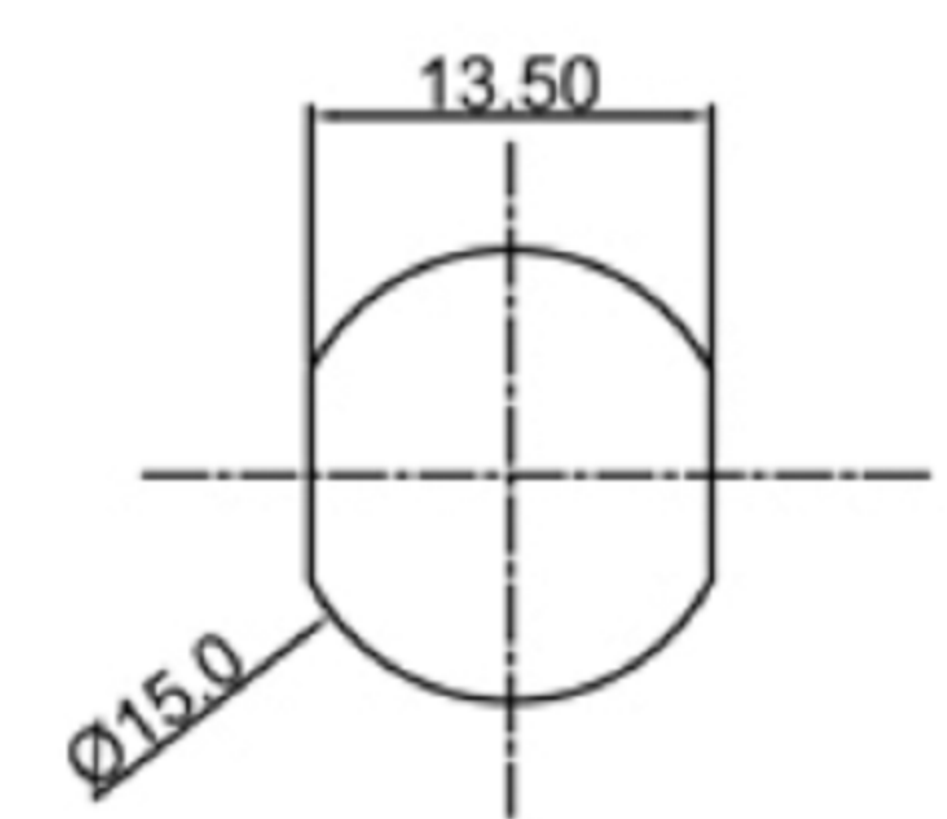
Operating Temperature: $-10^{\circ}\text{C} \sim +70^{\circ}\text{C}$

Welding method: Manual Soldering ($350^{\circ}\text{C} \pm 5^{\circ}\text{C}$, $3\text{s} \pm 0.5\text{s}$)



RATIG:	
15A 250VAC	
(4.8mm) 0.187"	4.5mm Max
FUSE	
	$\varnothing 6.4 \times 30$ $\varnothing 6.35 \times 31.8 \text{mm}$

CUT-OUT



广东科斯达电子科技有限公司
GUANG DONG KE SI DA ELECTRONIC TECHNOLOGY CO., LTD.

TOLERANCE UNLESS OTHERWISE STATED:
 Up to 5 ± 0.2
 Above 5 ~ 15 ± 0.3
 Above 15 ~ 30 ± 0.4
 Above 30 ~ 50 ± 0.5
 Angle ± 0.3

3RD. ANGEL'S

UNITS MM

DRAWN BY:	DATE	MAT'L	TITLE	SWITCH
Jack Lu	12/27/22			
CHECKED BY:	DATE	FINISH	MODLE	TACT SWITCH WITH LED
Jacky Chen	12/27/22			
APPROVED BY:	DATE	SCALE	DWG NO.	SIZE
Tony Kao	12/27/22	1 : 1		A4
		SHEET NO.	PART NO.	VER
		1 of 1		R

ITEM NO.	DESCRIPTION	DRAWN	DATE