



Fuse holder for overload protection

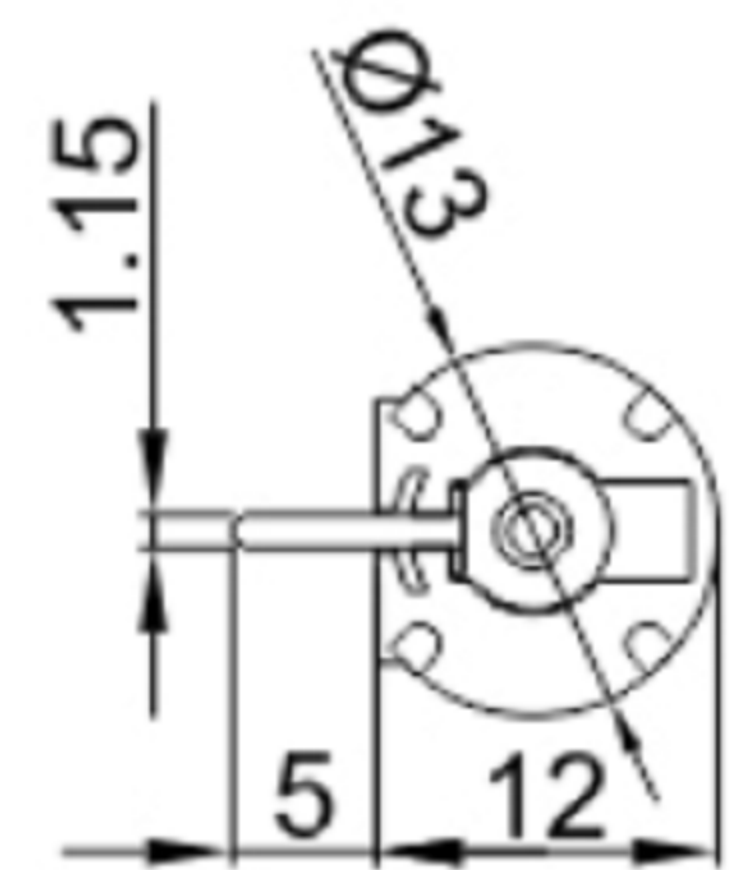
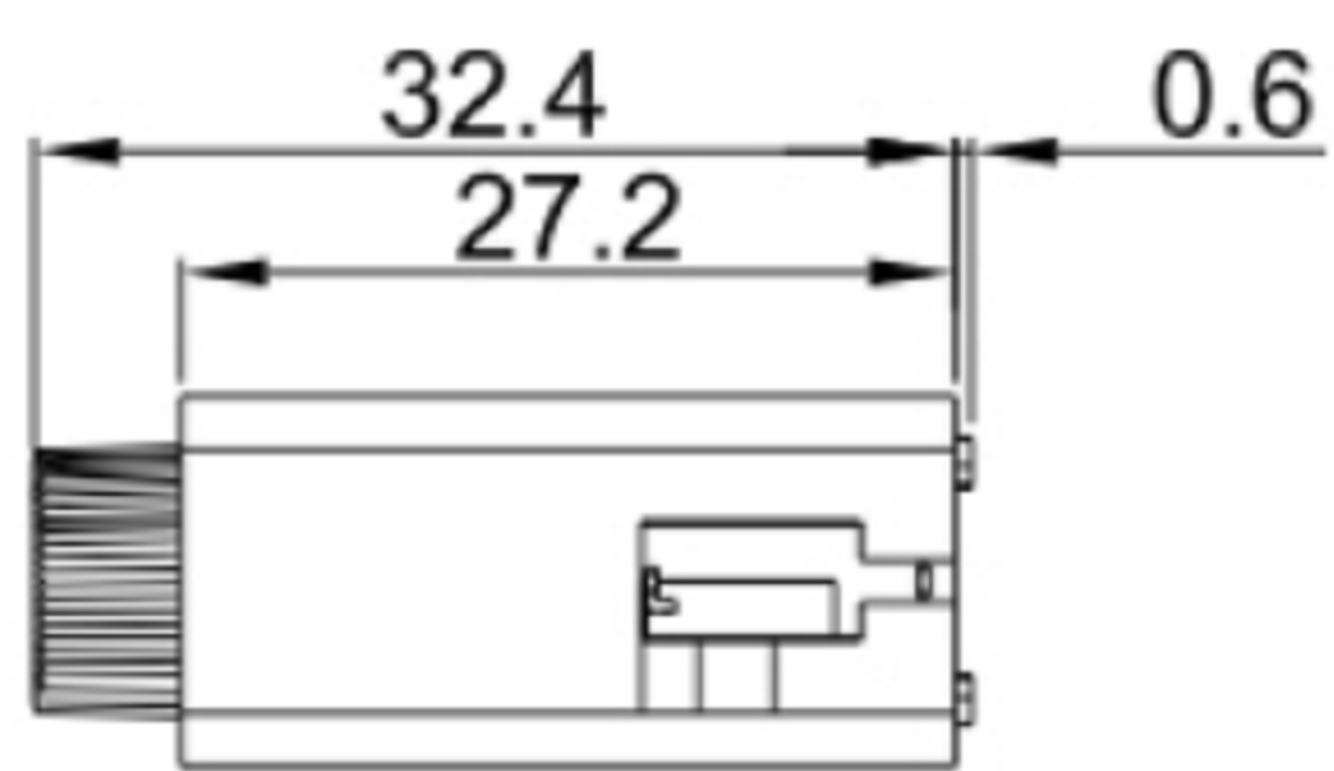
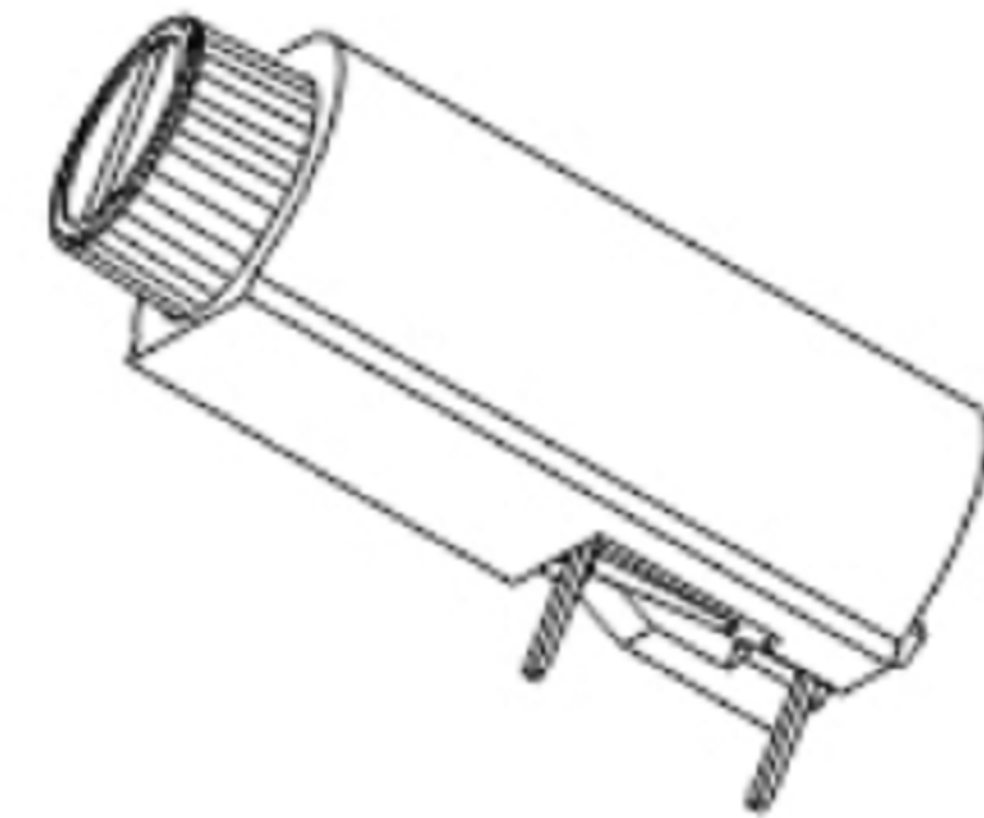
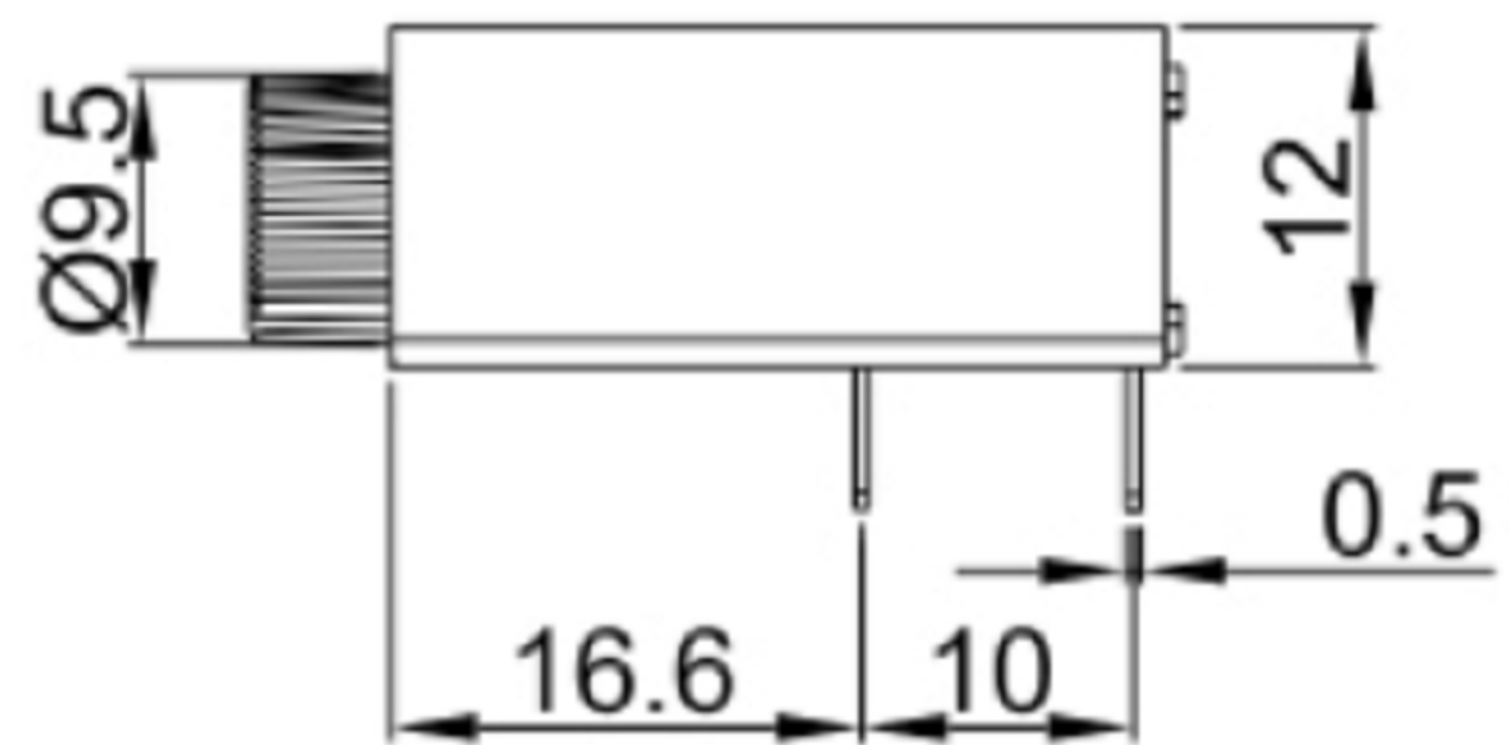
Rating: 10A 250VAC

Fuse: Ø5.0x20mm 

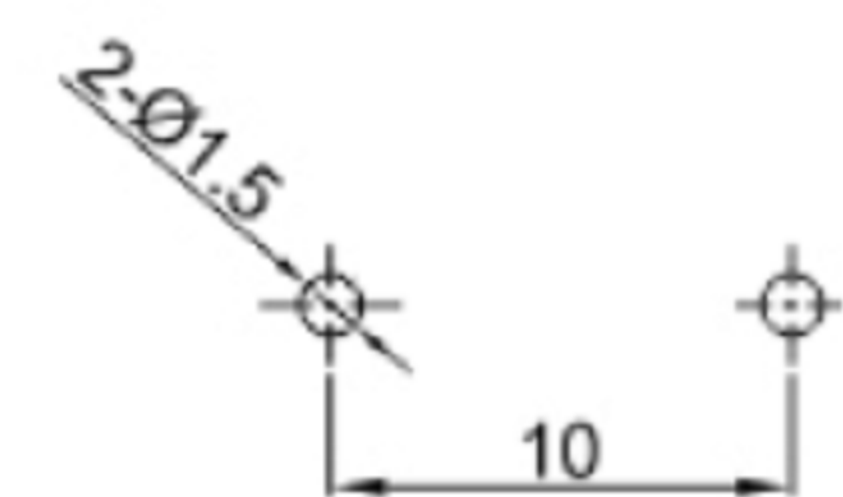
Cap: Bayonet type

Operating Temperature: -10°C ~ +70°C

Welding method: Manual Soldering (350° C ± 5° C, 3s ± 0.5s)
: Wave-soldering



P.C.B.LAYOUT

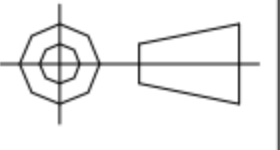


MATERIAL:

Housing: PA66, UL rated 94V2 min
Bayonet: PA66, UL rated 94V2 min
Terminal: Brass, silver or tin plated



广东科斯达电子科技有限公司
GUANG DONG KE SI DA ELECTRONIC TECHNOLOGY CO., LTD.

TOLERANCE UNLESS OTHERWISE STATED:	Up to 5 ±0.2	Above 5 ~ 15 ±0.3	Above 15 ~ 30 ±0.4	Above 30 ~ 50 ±0.5	Angle ±0.3	3RD. ANGEL'S		UNITS	MM
------------------------------------	--------------	-------------------	--------------------	--------------------	------------	--------------	---	-------	----

DRAWN BY:	DATE	MAT'L	TITLE	SWITCH
Jack Lu	12/27/22			
CHECKED BY:	DATE	FINISH	MODLE	TACT SWITCH WITH LED
Jacky Chen	12/27/22			
APPROVED BY:	DATE	SCALE	DWG NO.	SIZE
Tony Kao	12/27/22	1 : 1		A4
		SHEET NO.	PART NO.	VER
		1 of 1		R

ITEM NO.	DESCRIPTION	DRAWN	DATE