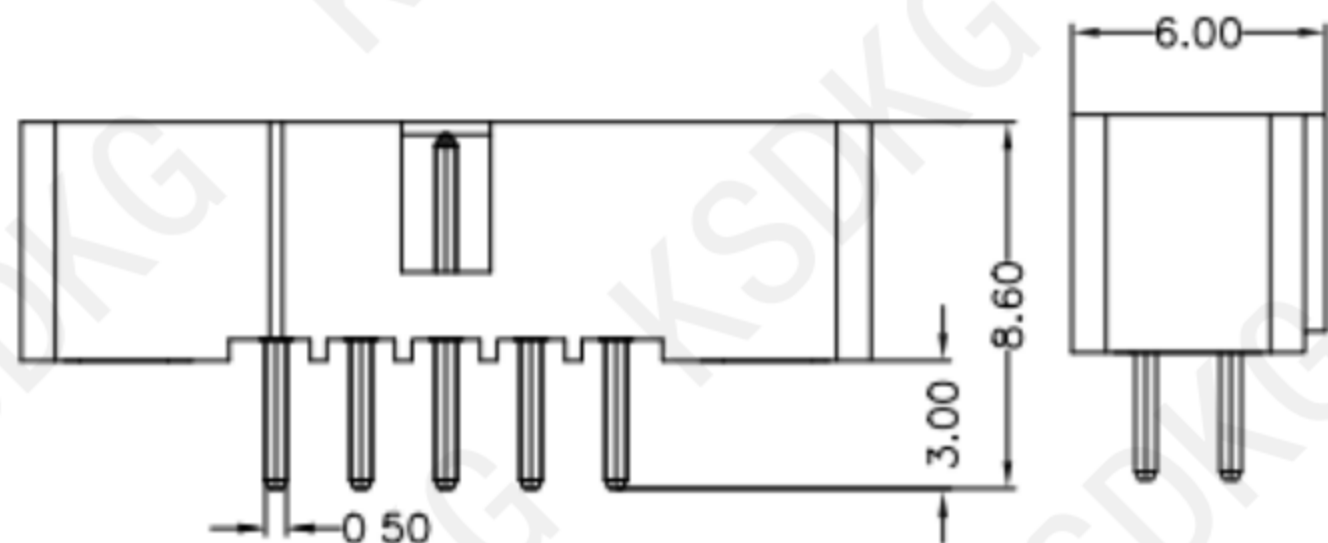
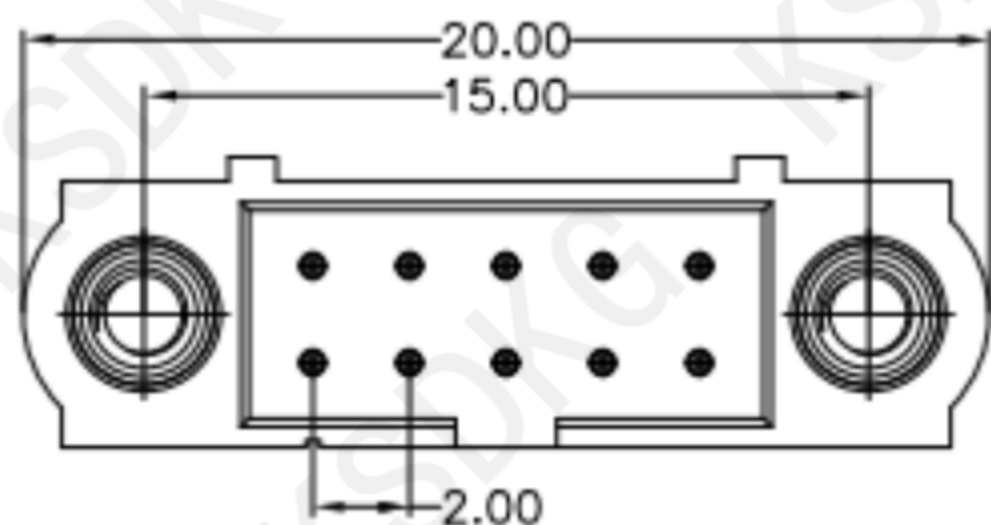


KSD-MPG256XX01 MALE

KSD
SWITCH CONNECTOR



KSD-MPM275XX00-180°



●触点间距 Contact Pitch:2.00mm

●电缆导线尺寸 Cable Conductor Size: 24-28AW

●行数 Number of Rows: 双排 Double Row

●连接器方向 Connector Orientation: 直线 Straight

产品描述 Product Description

●信号触点 Signal Contact: 铜合金 Copper Alloy

●电源触点 Power Contact: 铜合金 Copper Alloy

●螺杆 Jackscrew: 不锈钢 Stainless steel

●绝缘材料 Insulator: Glass filled PPS

●电镀 Finish: 镍底镀金 Au&Ni

性能参数 Specification

●芯数 Pins: 最大PIN数 2 * 25

●阻燃等级 Flame retardant grade: UL94V-0

●插拔寿命 Mechanical Operations: 500 Operations

●工作温度 Range temperature: -55C ~+125C

●工作电压 Working Voltage: 120 V AC/DC

●耐电压 Proof Voltage: 360 V AC/DC

●接触电阻 Contact Resistance : 25 mΩ

●额定电流 Current Rating : 3A Max @25°C, 2.2A Max @85C

●插入力 Insertion Force : 2.8N Max

●拔出力 Withdrawal Force : 0.2N Min

●绝缘电阻 Insulation Resistance: >100mΩ

●连接类型 Connection Type: 电缆(焊接+压接)
Cable(Solder + Crimp)

应用领域 Application

●航空航天, 通信设备、充电设备、以及储能等电源模块的功率、信号传输

● Power and signal transmission in power modules for aerospace, communication equipment, charging equipment, and energy storage