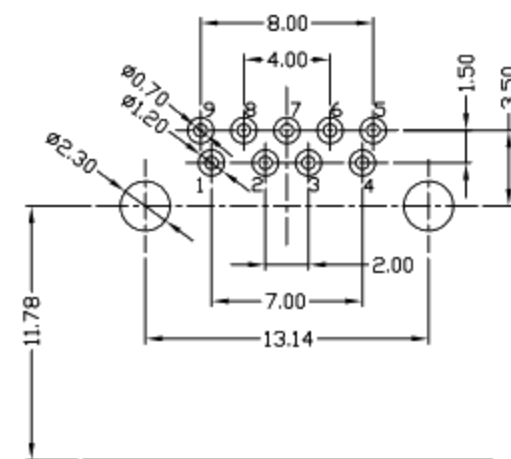
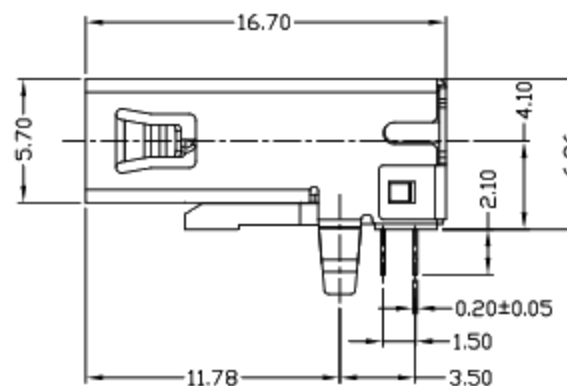
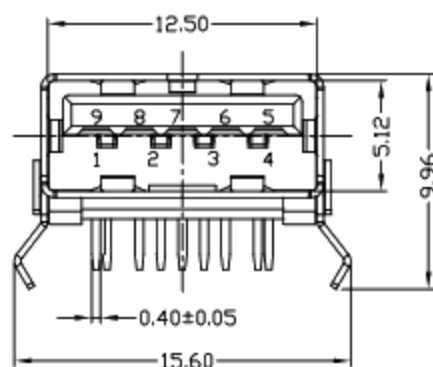
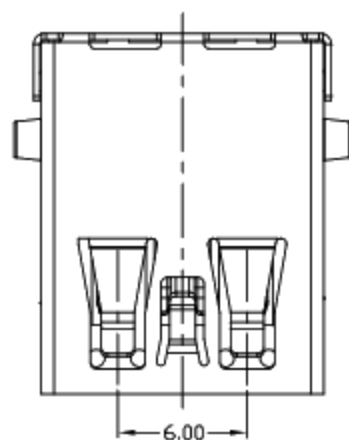




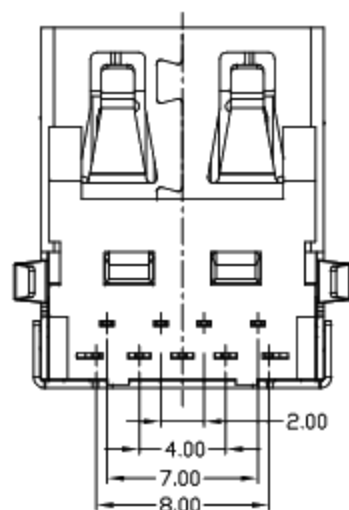
RoHS
Compliant
2002/95/EC

REV.	ECN.	NO.	APPD.

PIN NUMBER	SIGNAL NAME
1	VBUS
2	D-
3	D+
4	GND
5	STDA_SSRX-
6	STDA_SSRX+
7	GND_DRAIN
8	STDA_SSTX-
9	STDA_SSTX+
Shell	Shield



RECOMMENDED PCB LAYOUT



NOTES:

- ELECTRICAL:**
 - CURRENT RATING: 1.5 AMP;
 - INSULATION RESISTANCE: 100MΩ MIN;
 - CONTACT RESISTANCE: 30mΩ MAX;
 - WITHSTANDING VOLTAGE: 100V AC;
 - OPERATING TEMPERATURE: -40°C ~ +85°C.
- Mechanical:**
 - Mating Force: 35N MAX
 - Unmating Force: 10N MIN.
- DIMENSIONS MARKED "▼" TO BE CHECKED BY Q.C & IPQC.**

4. PART NO.

W: WHITE	1PBT
B: BLACK	2PA6T
BL: BLUE	3PA9T
	4LCP

Bill of materials:

NO	PARTS	MATERIAL	QTY	FINISHING	X.	X.*	UNITS
3	SHELL	COPPER ALLOY	1	PLATED NICKEL	±0.35	±2'	mm
2	TERMINAL	COPPER ALLOY	9	PLATED GOLD/TIN	±0.3	±1'	MAT'L
1	HOUSING	PA9T+30%GF	1	UL94V-0	±0.25	*	SEE NOTE
					±0.15	*	FINISH
							SEE NOTE
							Q'TY

THESE DRAWINGS AND SPECIFICATIONS ARE THE PROPERTY OF ACCURATE INNOTECH INC AND SHALL NOT BE REPRODUCED, COPIED OR USED IN ANY MANNER WITHOUT THE PRIOR WRITTEN CONSENT OF ACCURATE INNOTECH INC.

廣東科斯達電子科技有限公司

TITLE: USB 3.0 AF 90度 DIP 无卷边 弯脚 成品图	PART NO.:			
DR: gan 2016/12/1	DWG NO.:			
CHKD: gan 2016/12/1	SCALE	SHEET	REV.	CUSTOMER DRAWING
APPD:	1:1	1/1	B	