
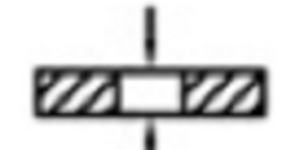
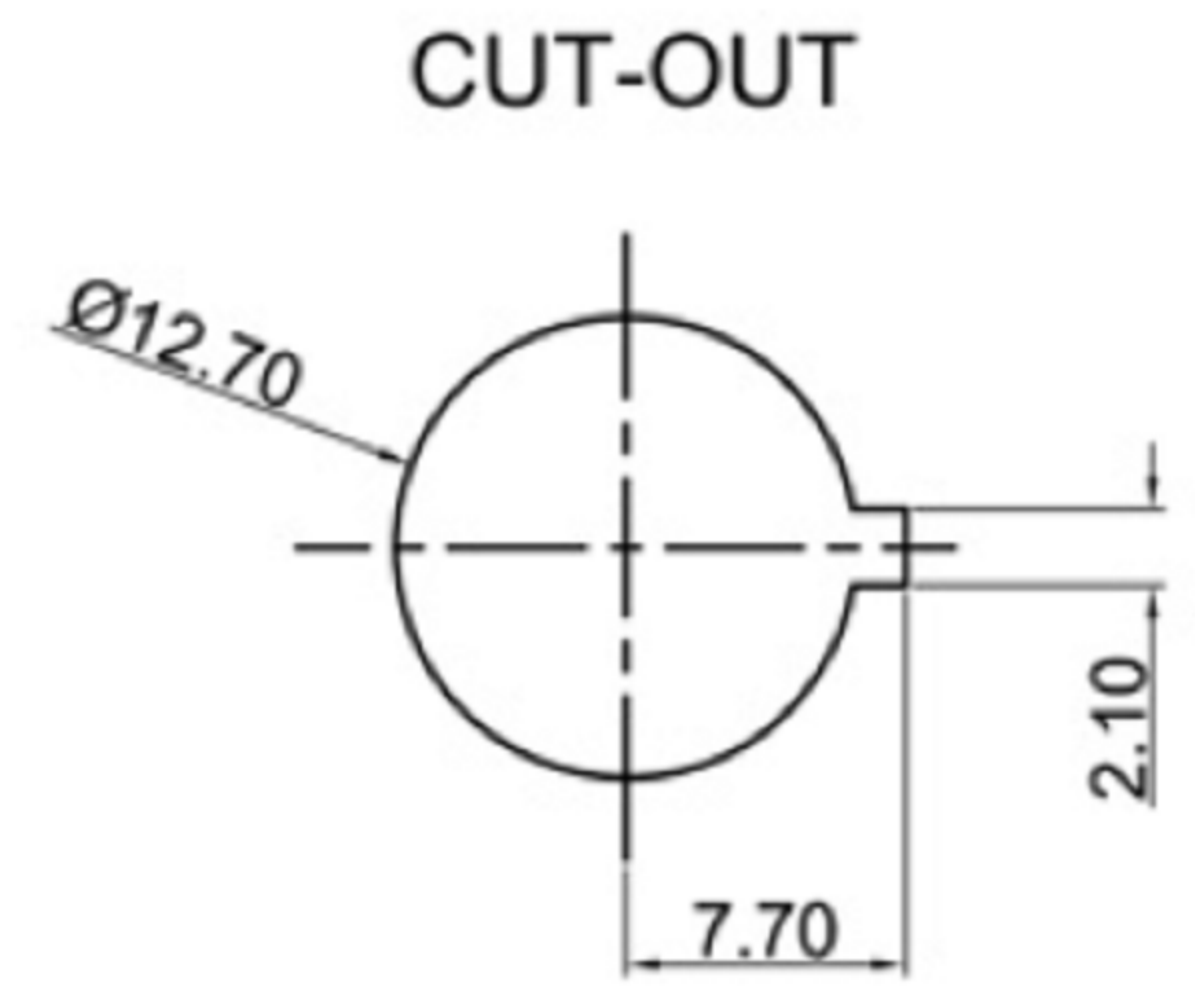
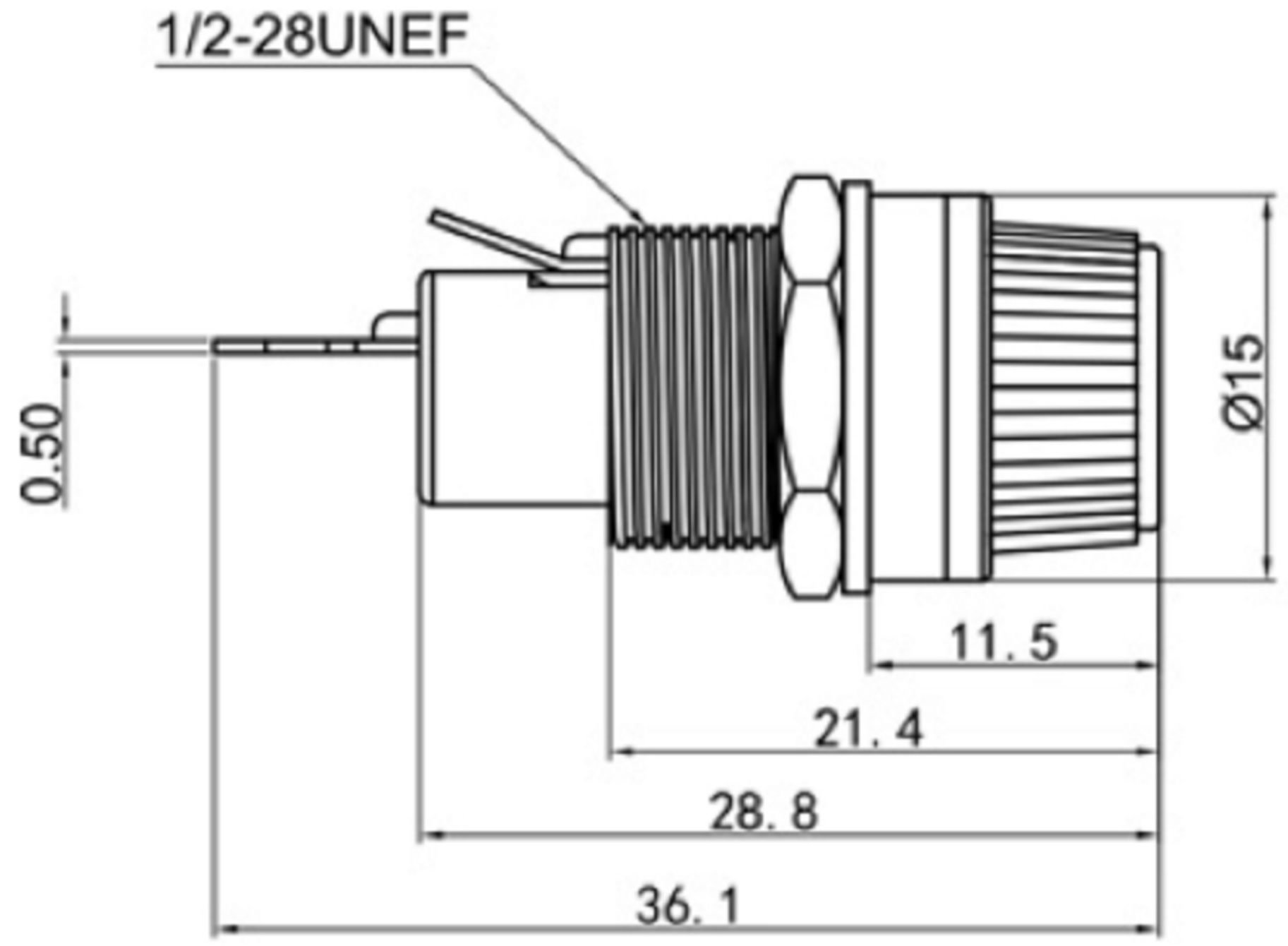
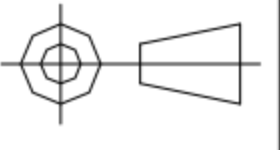


Fuse holder for overload protection
 Screw-in mounting
 Rating: 10A 250VAC
 Fuse: Ø5.0x20mm 
 Cap: Screw type
 Panel thickness: 4.5mm max 
 Operating Temperature: -20°C ~ +85°C
 Dielectric Strength: 1500VAC 1 minute
 Insulation Resistance: DC 500V 100MΩ min
 Welding method: Manual Soldering (350°C ± 5°C, 3 ± 0.5s)



 **广东科斯达电子科技有限公司**
 GUANG DONG KE SI DA ELECTRONIC TECHNOLOGY CO., LTD.

TOLERANCE UNLESS OTHERWISE STATED:
 Up to 5 ±0.2
 Above 5 ~ 15 ±0.3
 Above 15 ~ 30 ±0.4
 Above 30 ~ 50 ±0.5
 Angle ±0.3

3RD. ANGEL'S  UNITS MM

DRAWN BY:	DATE	MAT'L	TITLE	SWITCH
Jack Lu	12/27/22			
CHECKED BY:	DATE	FINISH	MODLE	TACT SWITCH WITH LED
Jacky Chen	12/27/22			
APPROVED BY:	DATE	SCALE	DWG NO.	SIZE
Tony Kao	12/27/22	1 : 1		A4
		SHEET NO.	PART NO.	VER
		1 of 1		R

ITEM NO.	DESCRIPTION	DRAWN	DATE