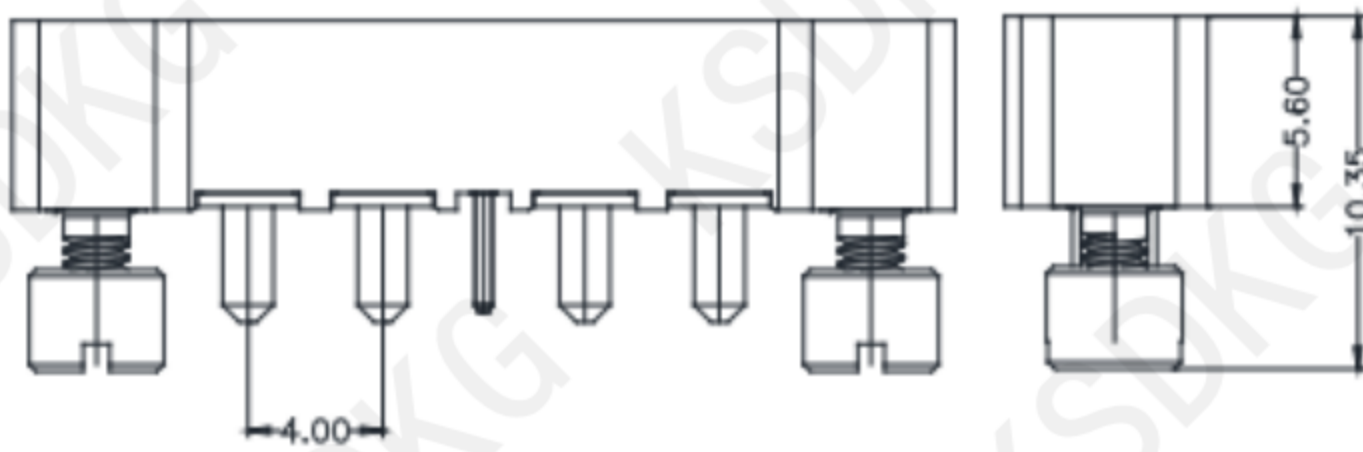
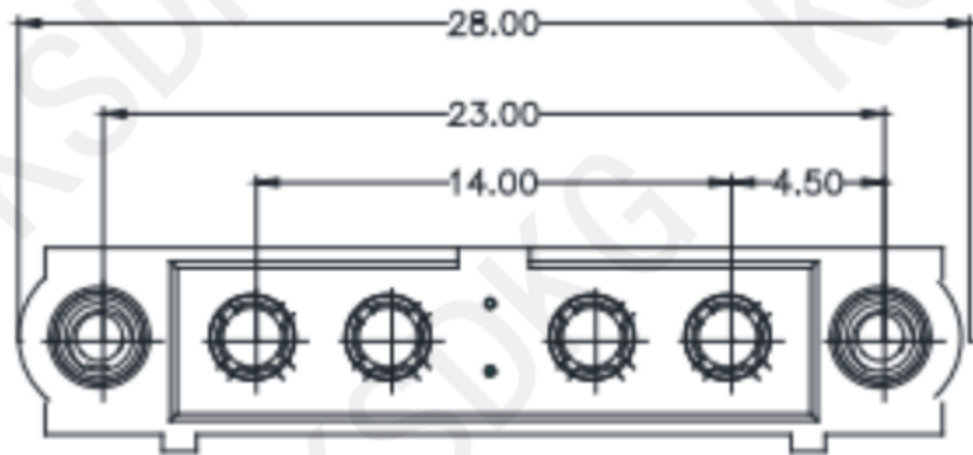


KSD-MPGX56XX01 MALE

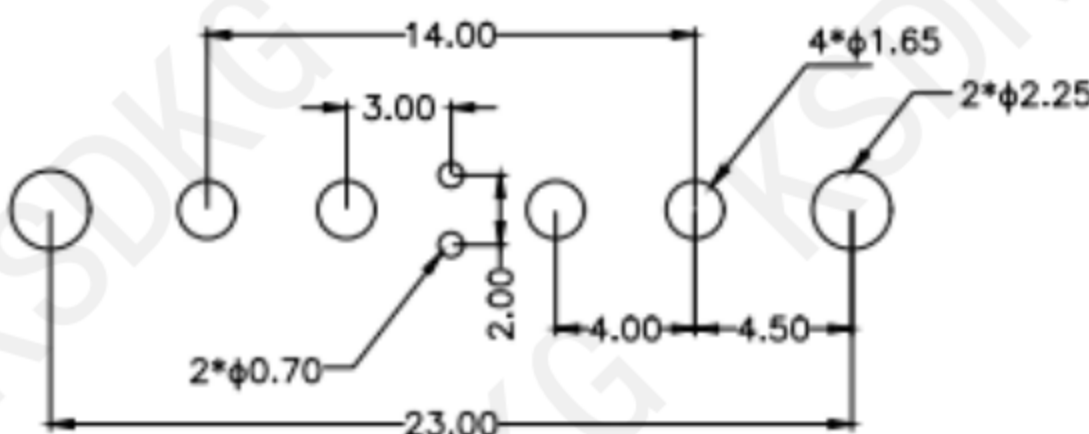


KSD-MPGX56XX01



安装开口尺寸

Mounting Interface Design



Recommended PCB Layout
Tolerance: ±0.05

● 触点间距 Contact Pitch: 2.00mm/4.00mm

● 电缆导线尺寸 Cable Conductor Size: 24-28AWG +14AWG

● 行数 Number of Rows: 混合 Mixed

● 连接器方向 Connector Orientation: 直线 Straight

产品描述 Product Description

● 信号触点 Signal Contact: 铜合金 Copper Alloy

● 电源触点 Power Contact: 铜合金 Copper Alloy

● 螺杆 Jackscrew: 不锈钢 Stainless steel

● 绝缘材料 Insulator: Glass filled PPS

● 电镀 Finish: 镍底镀金 Au&Ni

性能参数 Specification

● 芯数 Pins: 根据需求进行灵活性混合搭配

● 阻燃等级 Flame retardant grade: UL94V-0

● 插拔寿命 Mechanical Operations: 500 Operations

● 工作温度 Range temperature: -55C ~ +125C

● 工作电压 Working Voltage: 800 V AC/DC

● 耐电压 Proof Voltage: 1200 V AC/DC

	Signal Contact	Power Contact
● 接触电阻 Contact Resistance	< 25 mΩ	< 6 mΩ
● 额定电流 Current Rating	3A Max @25°C, 2.2A Max @85C	15A Max with 14AWG
● 插入力 Insertion Force	2N Max	8N Max
● 拔出力 Withdrawal Force	0.2N Min	0.5N Min

● 绝缘电阻 Insulation Resistance: >100mΩ

● 连接类型 Connection Type: 电缆(焊接+压接)
Cable(Solder + Crimp)

应用领域 Application

● 航空航天, 通信设备、充电设备、以及储能等电源模块的功率、信号传输

● Power and signal transmission in power modules for aerospace, communication equipment, charging equipment, and energy storage