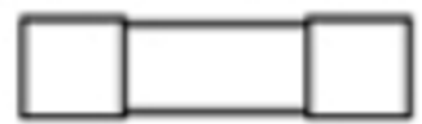
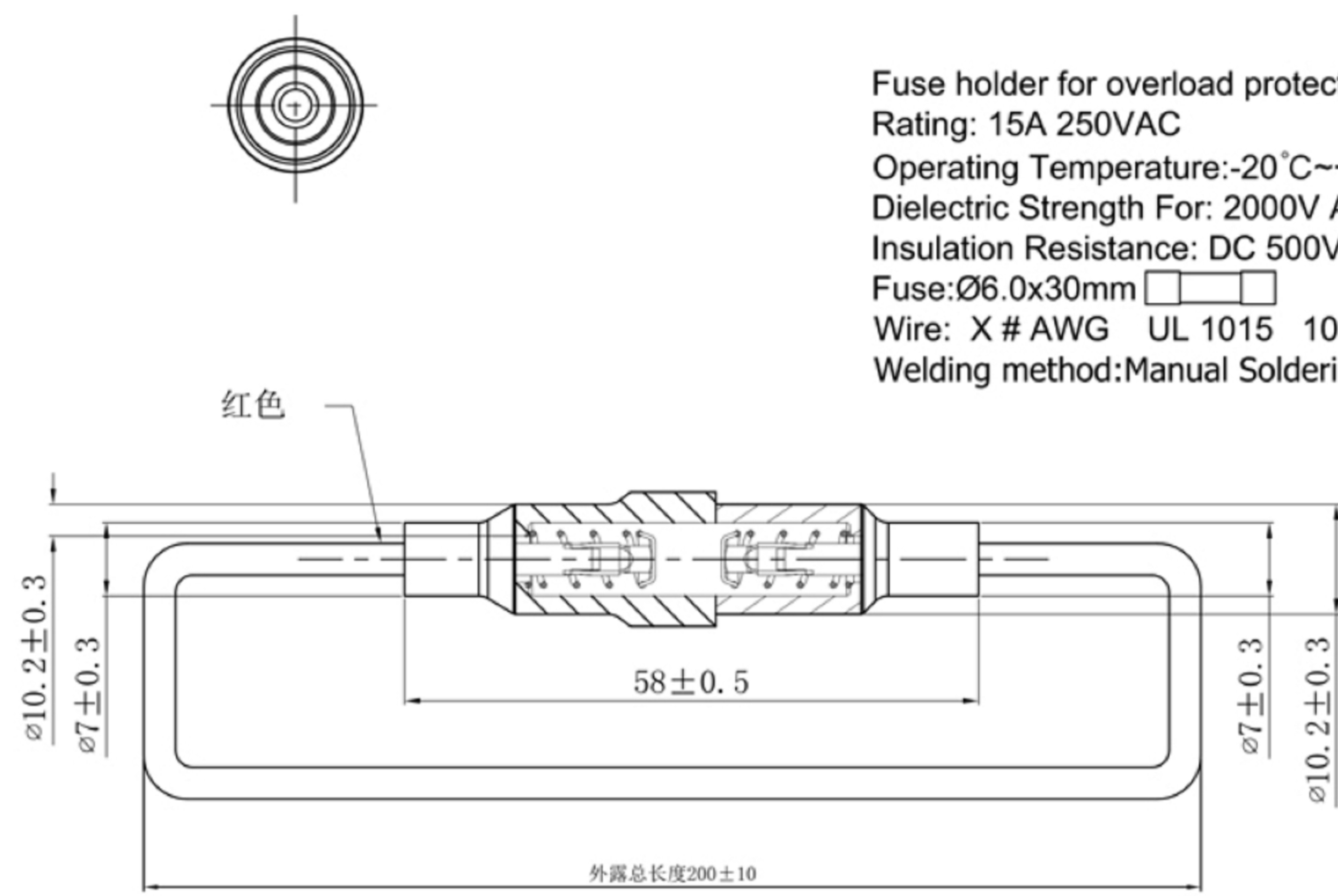




Fuse holder for overload protection  
 Rating: 15A 250VAC  
 Operating Temperature: -20°C~+85°C  
 Dielectric Strength For: 2000V AC/1min  
 Insulation Resistance: DC 500V 100MΩ min  
 Fuse: Ø6.0x30mm   
 Wire: X # AWG UL 1015 105°  
 Welding method: Manual Soldering (350° C±5° C, 3s±0.5s)



**MATERIAL:**  
 Housing: PBT, UL rated 94V-0  
 Bayonet: PBT, UL rated 94V-0  
 Terminal: Brass, or Brass tin plated  
 Wire: UL 1015 AWM X # AWG

**UL1015 16#红色线材, 剪线长度230mm**



TOLERANCE UNLESS OTHERWISE STATED:  
 Up to 5 ±0.2  
 Above 5 ~ 15 ±0.3  
 Above 15 ~ 30 ±0.4  
 Above 30 ~ 50 ±0.5  
 Angle ±0.3

3RD. ANGEL'S

UNITS MM

DRAWN BY:	DATE	MAT'L	TITLE	SWITCH
Jack Lu	12/27/22			
CHECKED BY:	DATE	FINISH	MODLE	TACT SWITCH WITH LED
Jacky Chen	12/27/22			
APPROVED BY:	DATE	SCALE	DWG NO.	SIZE
Tony Kao	12/27/22	1:1		A4
		SHEET NO.	PART NO.	VER
		1 of 1		R

ITEM NO.	DESCRIPTION	DRAWN	DATE