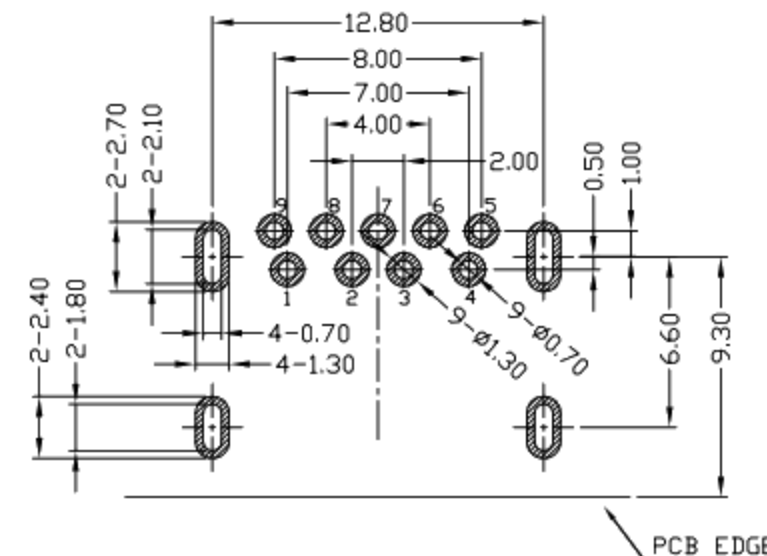
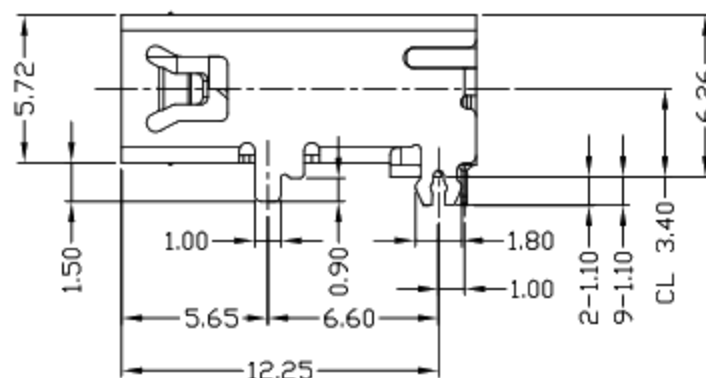
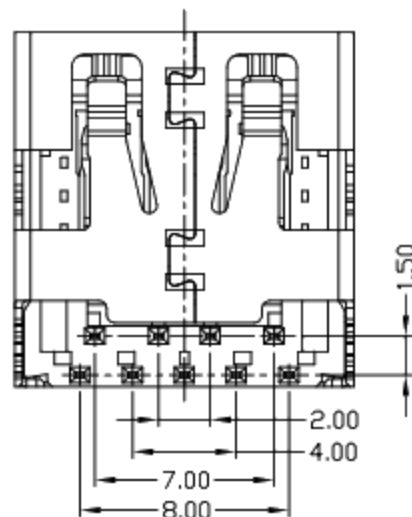
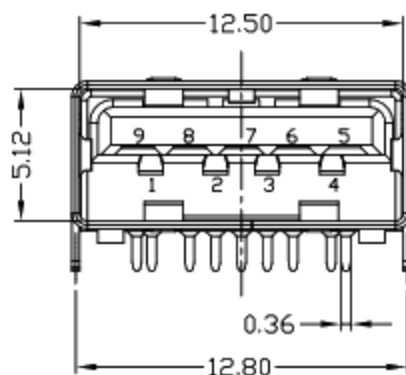
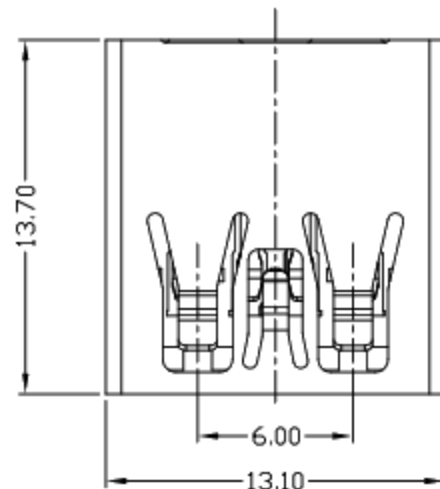
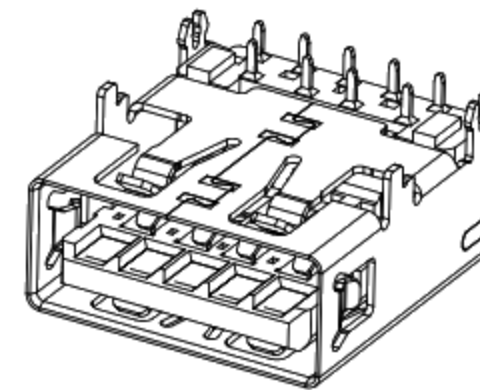




RoHS Compliant  
2002/95/EC

REV.	ECN.	NO.	APPD.

Pin #	SIGNAL NAME	DESCRIPTION	MATING SEQUENCE
1	VBUS	POWER	SECOND
2	D-	USB 2.0 DIFFERENTIAL PAIR	THIRD
3	D+		
4	GND	GROUND FOR POWER RETURN	SECOND
5	StdA_SSRX-	SUPERSPEED RECEIVER DIFFERENTIAL PAIR	LAST
6	StdA_SSRX+		
7	GND_DRAIN	GROUND FOR SIGNAL RETURN	
8	StdA_SSTX-	SUPERSPEED TRANSMITTER DIFFERENTIAL PAIR	
9	StdA_SSTX+		
Shell	Shield	CONNECTOR METAL SHELL	FRIST



RECOMMENDED PCB LAYOUT

NOTES:

- ELECTRICAL:
  - CURRENT RATING: 1.5AMP;
  - INSULATION RESISTANCE: 100MΩ MIN;
  - CONTACT RESISTANCE: 30mΩ MAX;
  - WITHSTANDING VOLTAGE: 100V AC;
  - OPERATING TEMPERATURE: -25°C ~ +75°C.
- Mechanical:
  - Mating Force: 35N MAX
  - Unmating Force: 10N MIN.
- DIMENSIONS MARKED "▼" TO BE CHECKED BY Q.C & IPQC.

4. PART NO.

1Au 1U'  
5Au 15U'  
6Au 30U'

W:WHITE  
B:BLACK  
BL:BLUE  
1PBT  
2PA6T  
3PA9T  
4LCP

Bill of materials:

NO	PARTS	MATERIAL	QTY	FINISHING	UNITS	mm	廣東科斯達電子科技有限公司				
3	SHELL	STAINLESS STEEL	1	PLATED NICKEL	X. ±0.35	X.* ±2'	TITLE:	USB 3.0 AF 90度 D1P I=6.26 L=13.7 Cl=3.40mm			
2	TERMINAL	COPPER ALLOY	9	PLATED GOLD/TIN	.X ±0.3	.X* ±1'	DR:	gan 2016/12/30			
1	HOUSING	PA9T/LCP	1	UL94V-0	.XX ±0.25	.XX*	CHKD:	gan 2016/12/30			
					.XXX ±0.15	.XXX*	APPD:	gan 2016/12/30			
							SCALE	SHEET	REV.	CUSTOMER DRAWING	
							1:1	1/1	B		

THESE DRAWINGS AND SPECIFICATIONS ARE THE PROPERTY OF ACCURATE INNOTECH INC AND SHALL NOT BE REPRODUCED, COPIED OR USED IN ANY MANNER WITHOUT THE PRIOR WRITTEN CONSENT OF ACCURATE INNOTECH INC.

