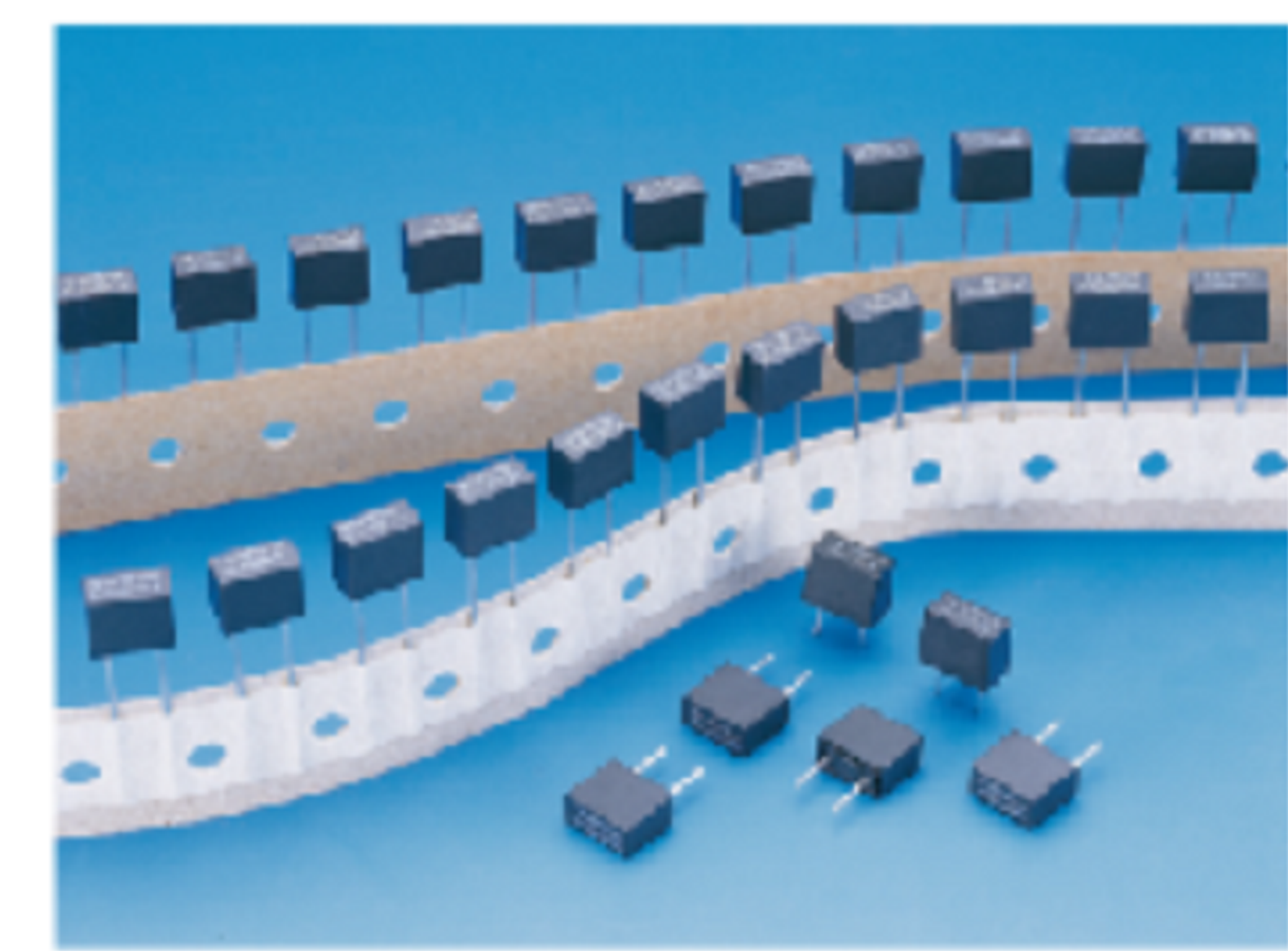
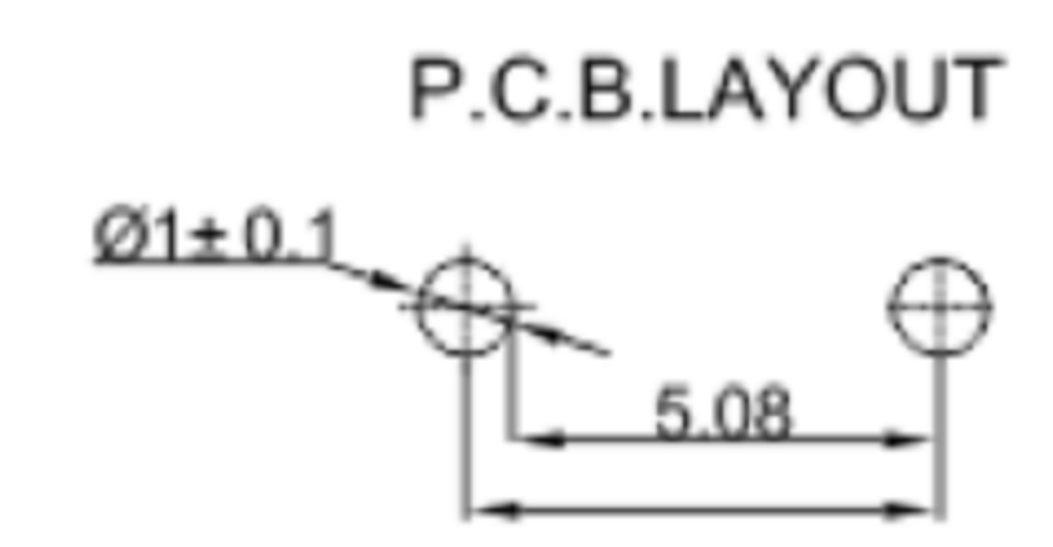
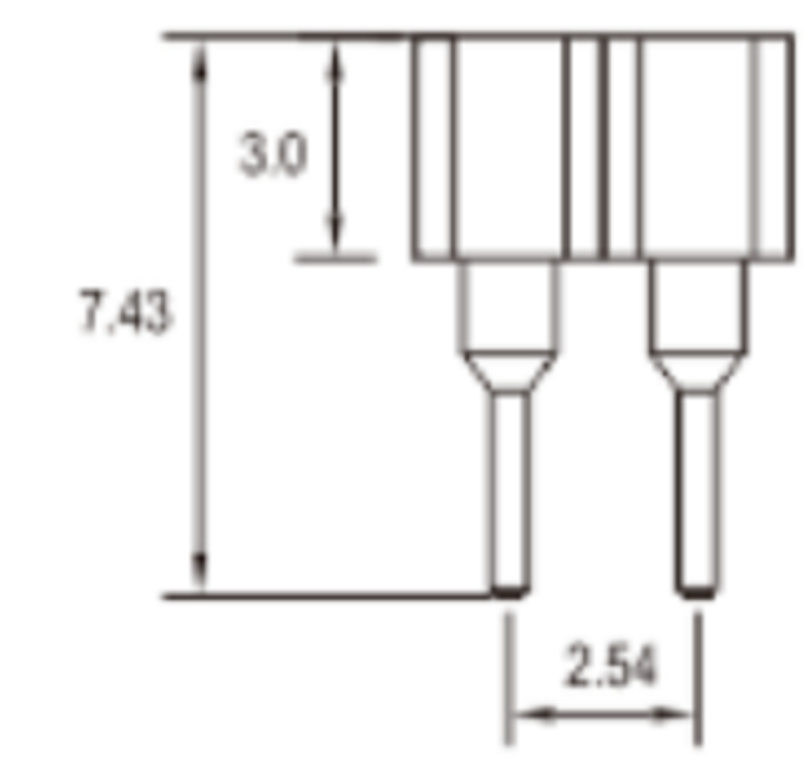
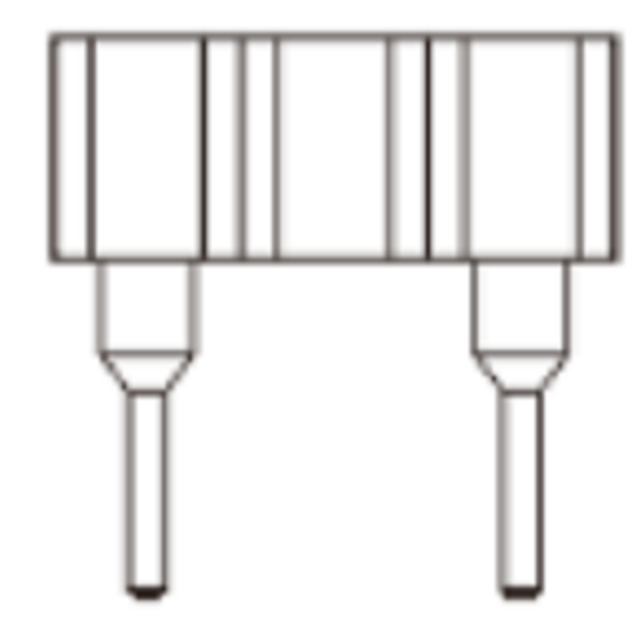




Housing : Glass filled polyester UL94-V0  
 Insulation Resistance: 103MΩ at V= 100V  
 Temperature Range: -55°C to 125°C  
 Contact: Beryllium copper, Heat treated  
 Plating: Nickel / Tin  
 Current Rating: 3A  
 Contact Resistance: < 4mΩ  
 Insertion Force: < 250g  
 Withdrawal Force: > 50g

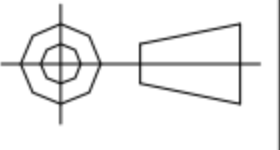


MST FUSE




**广东科斯达电子科技有限公司**  
**GUANG DONG KE SI DA ELECTRONIC TECHNOLOGY CO., LTD.**

TOLERANCE UNLESS OTHERWISE STATED :  
 Up to 5 ±0.2  
 Above 5 ~ 15 ±0.3  
 Above 15 ~ 30 ±0.4  
 Above 30 ~ 50 ±0.5  
 Angle ±0.3

3RD. ANGEL'S  UNITS MM

DRAWN BY:	DATE	MAT'L	TITLE	SWITCH
Jack Lu	12/27/22			
CHECKED BY:	DATE	FINISH	MODLE	TACT SWITCH WITH LED
Jacky Chen	12/27/22			
APPROVED BY:	DATE	SCALE	DWG NO.	SIZE
Tony Kao	12/27/22	1 : 1		A4
		SHEET NO.	PART NO.	VER
		1 of 1		R

ITEM NO.	DESCRIPTION	DRAWN	DATE