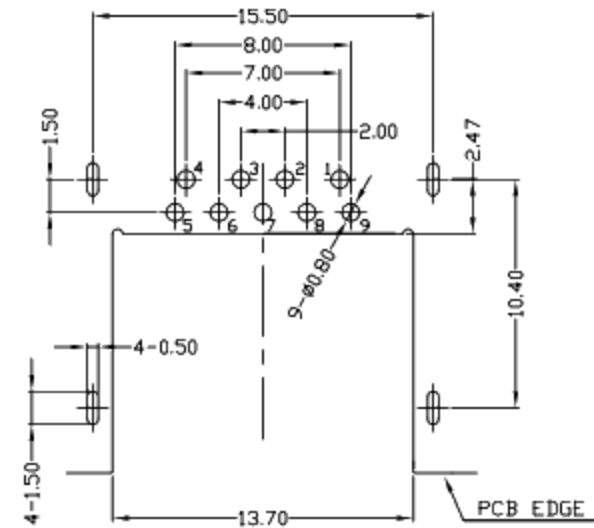
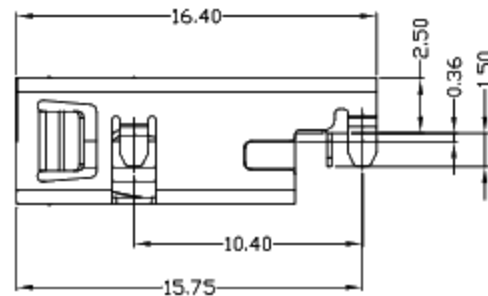
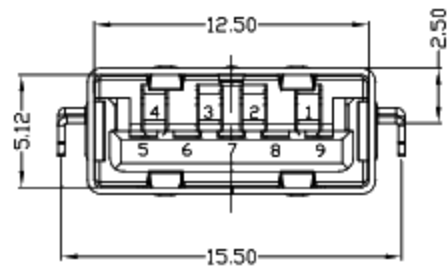
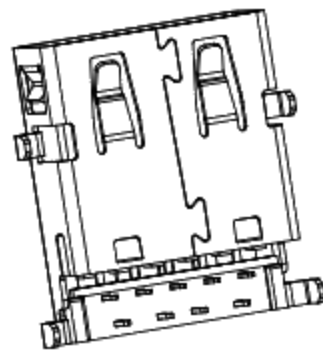
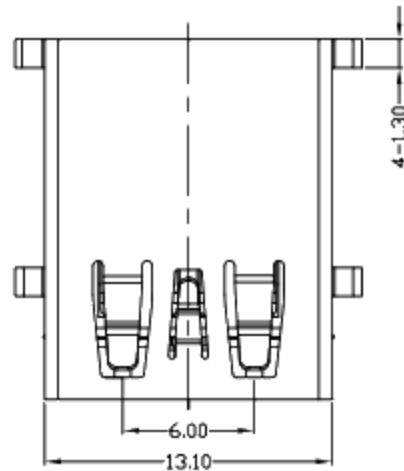


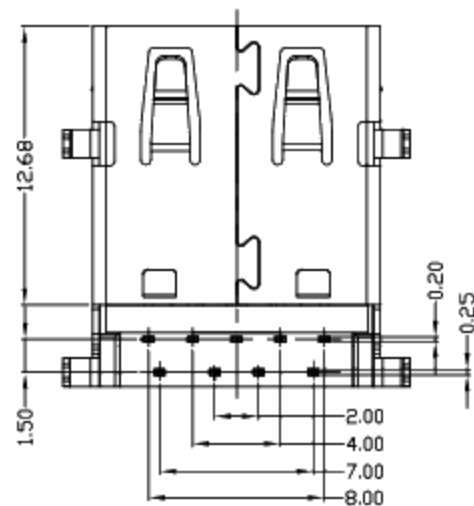


RoHS
Compliant
2002/95/EC

REV	LTR	DESCRIPTION	DATE	REVISER	APPD



RECOMMENDED PCB LAYOUT



NOTES:

- ELECTRICAL:
 - VOLTAGE CURRENT RATING: 1.5AMP, 30V AC;
 - INSULATION RESISTANCE: 100MΩ MIN;
 - CONTACT RESISTANCE: 50mΩ MAX;
 - WITHSTANDING VOLTAGE: 100V AC;
 - OPERATING TEMPERATURE: -40°C TO +85°C.
- Mechanical:
 - Mating Force: 35N MAX
 - Unmating Force: 10N MIN.
- NOTE: 1. DIMENSIONS MARKED *▼* TO BE CHECKED BY Q.C & IPQC.

4.PART NO.

1Au 1U*	1PBT
3Au 15U*	2PA6T
6Au 30U*	3PA9T
	4LCP

Bill of materials:

NO	PARTS	MATERIAL	QTY	FINISHING	UNITS	mm
4	HOUSING	LCP+30%GF	1	UL94V-0	X. ±0.35	X.* ±2'
3	SHELL	COPPER ALLOY	1	PLATED NICKEL	.X ±0.3	.X.* ±1'
2	TERMINAL1	COPPER ALLOY	4	PLATED GOLD/TIN	.XX ±0.25	.XX.*
1	TERMINAL2	COPPER ALLOY	5	PLATED GOLD/TIN	.XXX ±0.15	.XXX.*

THESE DRAWINGS AND SPECIFICATIONS ARE THE PROPERTY OF ACCURATE INNOVATECH INC. AND SHALL NOT BE REPRODUCED, COPIED OR USED IN ANY MANNER WITHOUT THE PRIOR WRITTEN CONSENT OF ACCURATE INNOVATECH INC.

UNITS	mm	廣東科斯達電子科技有限公司			
MAT'L	SEE NOTE				
FINISH	SEE NOTE				
Q'TY	SEE NOTE				
TITLE:	USB 3.0 AF DTP 900 12.5 无卷边 反向	PART NO.:			
DR:	gan 2014/9/19	DWG NO.:			
CHKD:	gan 2014/9/19	SCALE	SHEET	REV.	CUSTOMER DRAWING
APPD:		1:1	1/1	B	