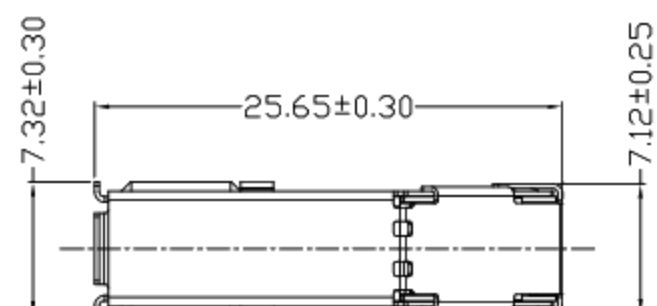
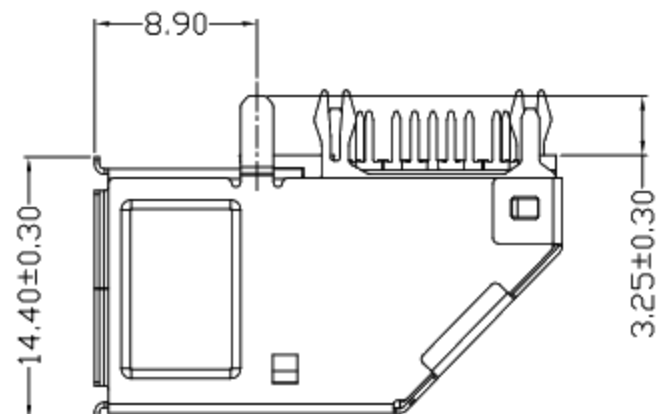


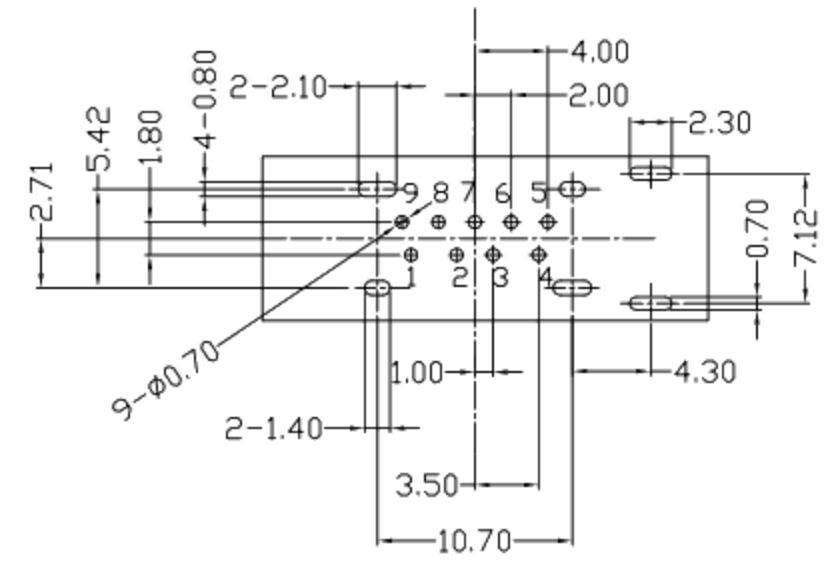


RoHS
Compliant
2002/95/EC

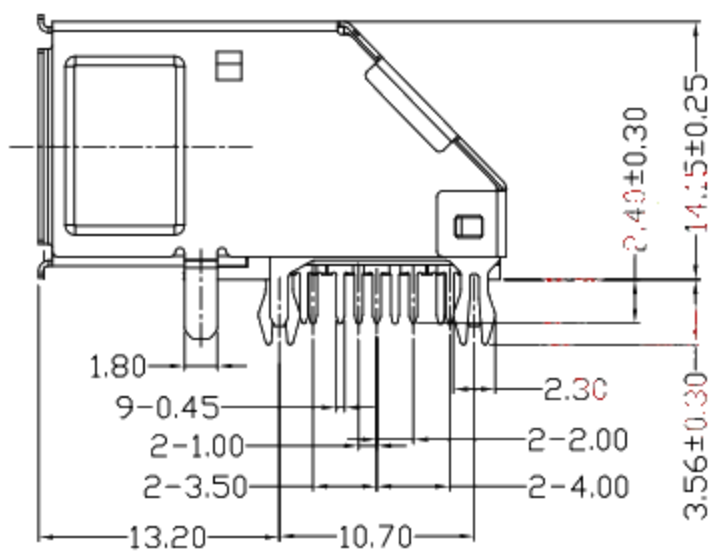
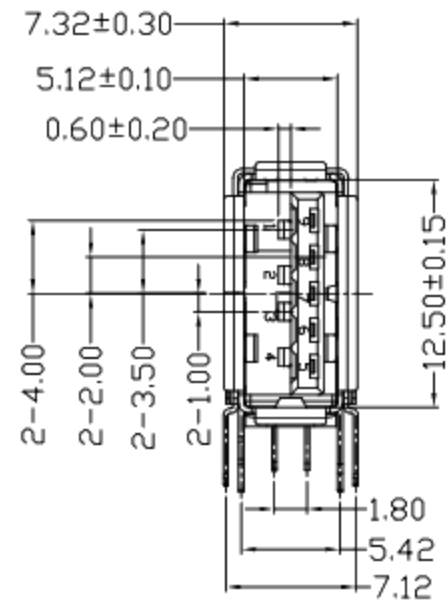
REV	LTR	DESCRIPTION	DATE	REVISER	APPD



PIN NUMBER	SIGNAL NAME
1	VBUS
2	D-
3	D+
4	GND
5	SSRX-
6	SSRX+
7	GND
8	SSTX-
9	SSRT+
Shell	Shield



RECOMMENDED PCB LAYOUT (TOP VIEW)



NOTES:

- ELECTRICAL:
 - VOLTAGE CURRENT RATING: 1.8AMP, 30V AC;
 - INSULATION RESISTANCE: 100MΩ MIN;
 - CONTACT RESISTANCE:
 - 30mΩ MAX; INITIAL FOR VBUS AND GND CONTACTS.
 - 50mΩ MAX; INITIAL FOR ALL OTHER CONTACTS.
 - WITHSTANDING VOLTAGE: 100V AC;
 - OPERATING TEMPERATURE: -55°C TO +85°C.
- Mechanical:
 - Mating Force: 35N MAX
 - Unmating Force: 10N MIN.
 - Durability: 1,500 cycles
- DIMENSIONS MARKED "v" TO BE CHECKED BY Q.C & IPQC.

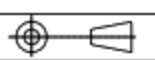
4. PART NO.

1-Au 1U'	W-WHITE
5-Au 15U'	B-BLACK
6-Au 30U'	BL-BLUE
	1-PBT
	2-PA6T
	3-PA9T
	4-LCP

Bill of materials:

NO	PARTS	MATERIAL	QTY	FINISHING	X	X'	UNITS
5	SHIELDING SHELL	STAINLESS STEEL	1	PLATED NICKEL	X ±0.35	X' ±2'	mm
4	SHELL	STAINLESS STEEL	1	PLATED NICKEL	.X ±0.3	.X' ±1'	MAT'L
3	HOUSING	LCP+30%GF	1	UL94V-0	.XX ±0.25	.XX'	SEE NOTE
2	TERMINAL	COPPER ALLOY	5	PLATED GOLD/TIN	.XXX ±0.15	.XXX'	FINISH
1	TERMINAL	COPPER ALLOY	4	PLATED GOLD/TIN			SEE NOTE
							Q'TY

THESE DRAWINGS AND SPECIFICATIONS ARE THE PROPERTY OF ACCURATE INNOTECH INC AND SHALL NOT BE REPRODUCED, COPIED OR USED IN ANY MANNER WITHOUT THE PRIOR WRITTEN CONSENT OF ACCURATE INNOTECH INC



廣東科斯達電子科技有限公司

TITLE:	USB AF3.0 側插式帶屏蔽壳	PART NO.:	
DR:	Ricky 2019/02/13	DWG NO.:	
CHKD:	Ricky 2019/02/13	SCALE	1:1
APPD:		SHEET	1/1
		REV.	B
		CUSTOMER DRAWING	