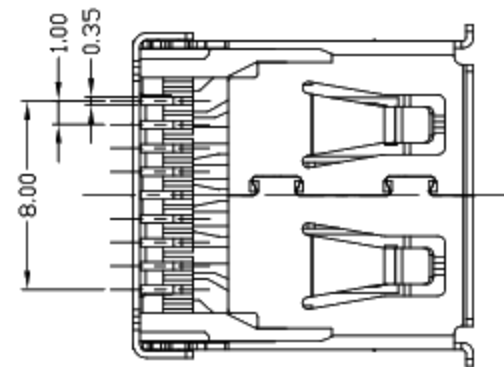
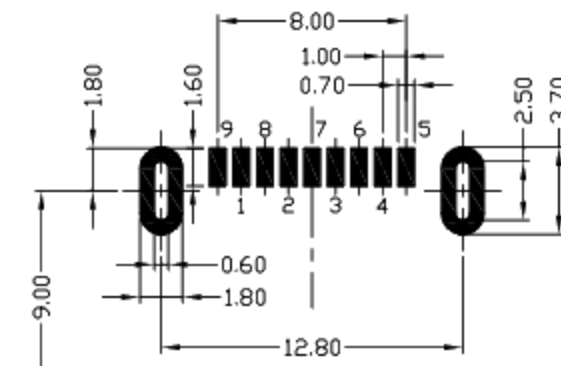
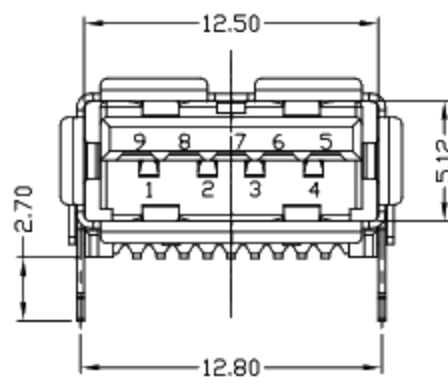
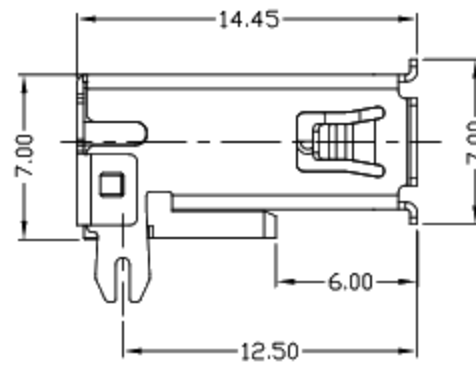
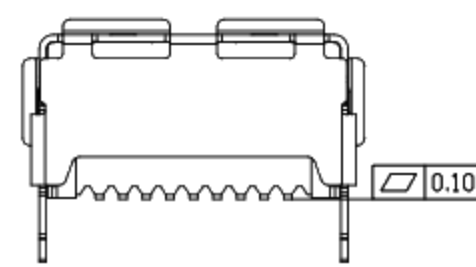
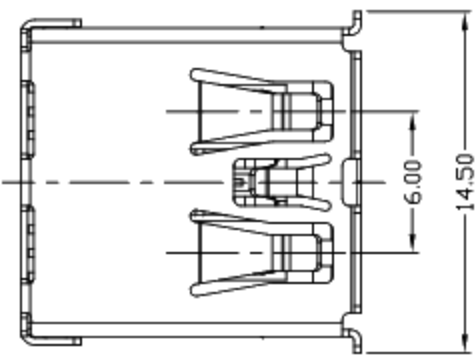




RoHS  
Compliant  
2002/95/EC

REV.	ECN.	NO.	APPD.

Pin #	SIGNAL NAME	DESCRIPTION	MATING SEQUENCE
1	VBUS	POWER	SECOND
2	D-	USB 2.0 DIFFERENTIAL PAIR	THIRD
3	D+		
4	GND	GROUND FOR POWER RETURN	SECOND
5	STDA_SSRX-	SUPER SPEED RECEIVER LAST DIFFERENTIAL PAIR	
6	STDA_SSRX+		
7	GND_DRAIN	GROUND FOR SIGNAL RETURN	
8	STDA_SSTX-	SUPER SPEED TRANSMITTER DIFFERENTIAL PAIR	
9	STDA_SSTX+		
Shell	Shield	CONNECTOR METAL SHELL	FRIST



- NOTES:
- ELECTRICAL:**
    - CURRENT RATING: 1.5AMP;
    - INSULATION RESISTANCE: 100MΩ MIN;
    - CONTACT RESISTANCE: 30mΩ MAX;
    - WITHSTANDING VOLTAGE: 100V AC;
    - OPERATING TEMPERATURE: -40°C ~ +85°C.
  - Mechanical:**
    - Mating Force: 35N MAX
    - Unmating Force: 10N MIN.
  - DIMENSIONS MARKED "▼" TO BE CHECKED BY Q.C & IPQC.**

4. PART NO.

- W: WHITE
- B: BLACK
- BL: BLUE
- 1: PBT
- 2: PA6T
- 3: PA9T
- 4: LCP

Bill of materials:

NO	PARTS	MATERIAL	QTY	FINISHING
3	SHELL	COPPER ALLOY	1	PLATED NICKEL
2	TERMINAL	COPPER ALLOY	9	PLATED GOLD/TIN
1	HOUSING	LCP+30%GF	1	UL94V-0

X.	±0.35	X.* ±2'	UNITS	mm
.X	±0.3	.X* ±1'	MAT'L	SEE NOTE
.XX	±0.25	.XX*	FINISH	SEE NOTE
.XXX	±0.15	.XXX*	Q'TY	

廣東科斯達電子科技有限公司

TITLE: USB 3.0 A板主SW短体L14.45 主体加长	PART NO.:
DR: gan 2016/11/16	DWG NO.:
CHKD: gan 2016/11/16	SCALE SHEET REV. CUSTOMER DRAWING
APPD:	1:1 1/1 B

THESE DRAWINGS AND SPECIFICATIONS ARE THE PROPERTY OF ACCURATE INNOTECH INC AND SHALL NOT BE REPRODUCED, COPIED OR USED IN ANY MANNER WITHOUT THE PRIOR WRITTEN CONSENT OF ACCURATE INNOTECH INC.